



# **BALDOR® • *RELIANCE***

## **Product Information Packet**

### **HM9246T**

**30HP,1760RPM,3PH,60HZ,286T,3952M,OPSB,F1**

Product Detail									
Revision:	F	Status:	PRD/A	Change #:		Proprietary:	No		
Type:	AC	Prod Type:	3952M	Elec. Spec:	39WGW960	CD Diagram:	CD0180		
Enclosure	OPSB	Mfg Plant:		Mech Spec:	39P090	Layout:	39LYP090		
Frame:	286T	Mounting:	F1	Poles:	04	Created Date:			
Base:	RG	Rotation:	R	Insulation:	B	Eff. Date:	03-20-2006		
Leads:	9#10	Literature:		Elec. Diagram:		Replaced By:			
Nameplate NP1888A02									
CAT.NO.	HM9246T								
SPEC.	39P090W960H1								
HP	30								
VOLTS	230/460								
AMPS	72/36								
RPM	1760								
FRAME	286T	HZ			60	PH	3		
SER.F.	1.15	CODE			H	DES	B	CL	B
NEMA-NOM-EFF	92.4	PF			84				
RATING	40C AMB-CONT								
CC	010A	USABLE AT 208V			77				
DE	6311	ODE			6208				
AUTO		MANUAL				NONE			
ENCL	OPSB	SN							
BLANK									

<b>Parts List</b>			
<b>Product ID</b>	<b>Description</b>	<b>Quantity</b>	<b>List Price</b>
SA075806	SA 39P090W960H1	1.000	1,145.00
RA069440	RA 39P090W960H1	1.000	954.00
S/P101-000-003	EPACT PROC-ZK 280FR & UP,LARGE KOBX,POLY	1.000	
HA6361A01	LIFTING LUG FOR 37, 39 & 40 FRAME (AUTOP	2.000	2.00
39CB4000A01	CONDUIT BOX 39, STAMPED	1.000	34.00
19XW2520A08	SCREW,1/4-20X1/2 TAPTITE-II OR ROLOC 91	2.000	2.00
HW1001A25	LOCKWASHER 1/4, ZINC PLT .493 OD, .255 I	2.000	2.00
WD1000B16	KPA-4C BURNDY TERMINAL	1.000	4.00
39EP3200A01SP	FR/PU ENDPLATE, MACH	1.000	111.00
HW5100A08	W3118-035 WVY WSHR (WB)	1.000	2.00
39EP3202A01	ENDPLATE MACH	1.000	101.00
XY3816A12	3/8-16 FINISHED NUT	8.000	2.00
39CB4500A01	CONDUIT BOX LID 39, STAMPED, AUTOPHORETI	1.000	34.00
51XF1032A08	10/32X1/2 HXWSHR HD, SL, TYPE F ,SERATED	2.000	2.00
HW2501H28	KEY, 1/2 SQ X 3.250	1.000	2.00
39AD2002A01	BAFFLE PLATE 39 OPEN, SLOTTED BAND MTRS	1.000	13.00
HW4500A20	1/8NPT SL PIPE PLUG	2.000	2.00
MJ1000A02	GREASE, POLYREX EM EXXON	0.030	10.00
39AD2002A01	BAFFLE PLATE 39 OPEN, SLOTTED BAND MTRS	1.000	13.00
HW4500A20	1/8NPT SL PIPE PLUG	2.000	2.00
MG1000G55	682.62 LACQUER LIGHT GRAY LHAPS	0.050	61.00
HA3154A04	THRUBOLT STUD 3/8-16 X 18.750	4.000	4.00
LB1125C04	STD-E (STOCK CTN LABEL STD-E WITH FLAG)	4.000	2.00
LB5040	INSTRUCTION TAG, AC & DC	1.000	2.00

<b>Parts List (continued)</b>			
<b>Product ID</b>	<b>Description</b>	<b>Quantity</b>	<b>List Price</b>
NP1888A02	NP LABEL W/CD0180 (FOR HVAC MOTOR)	1.000	
40PA1000	PACKAGING GROUP	1.000	67.00

**Performance Data at 460V, 60Hz, 30.0HP (Typical performance - Not guaranteed values)**

General Characteristics							
<b>Full Load Torque:</b>	89.4 LB-FT			<b>Start Configuration:</b>	DOL		
<b>No-Load Current:</b>	15.16 Amps			<b>Break-Down Torque:</b>	280.0 LB-FT		
<b>Line-line Res. @ 25°C.:</b>	0.292 Ohms A Ph / 0.0 Ohms B Ph			<b>Pull-Up Torque:</b>	134.0 LB-FT		
<b>Temp. Rise @ Rated Load:</b>	54°C			<b>Locked-Rotor Torque:</b>	175.0 LB-FT		
<b>Temp. Rise @ S.F. Load:</b>	72°C			<b>Starting Current:</b>	244.0 Amps		
Load Characteristics							
<b>% of Rated Load:</b>	<b>25</b>	<b>50</b>	<b>75</b>	<b>100</b>	<b>125</b>	<b>150</b>	<b>S.F.</b>
<b>Power Factor:</b>	47.0	69.0	79.0	84.0	87.0	87.0	86.0
<b>Efficiency:</b>	87.9	92.0	92.7	92.4	91.7	90.5	92.0
<b>Speed:</b>	1791.0	1782.0	1773.0	1763.0	1753.0	1741.0	1757.0
<b>Line Amperes:</b>	17.07	22.1	28.6	36.1	44.2	53.4	40.9

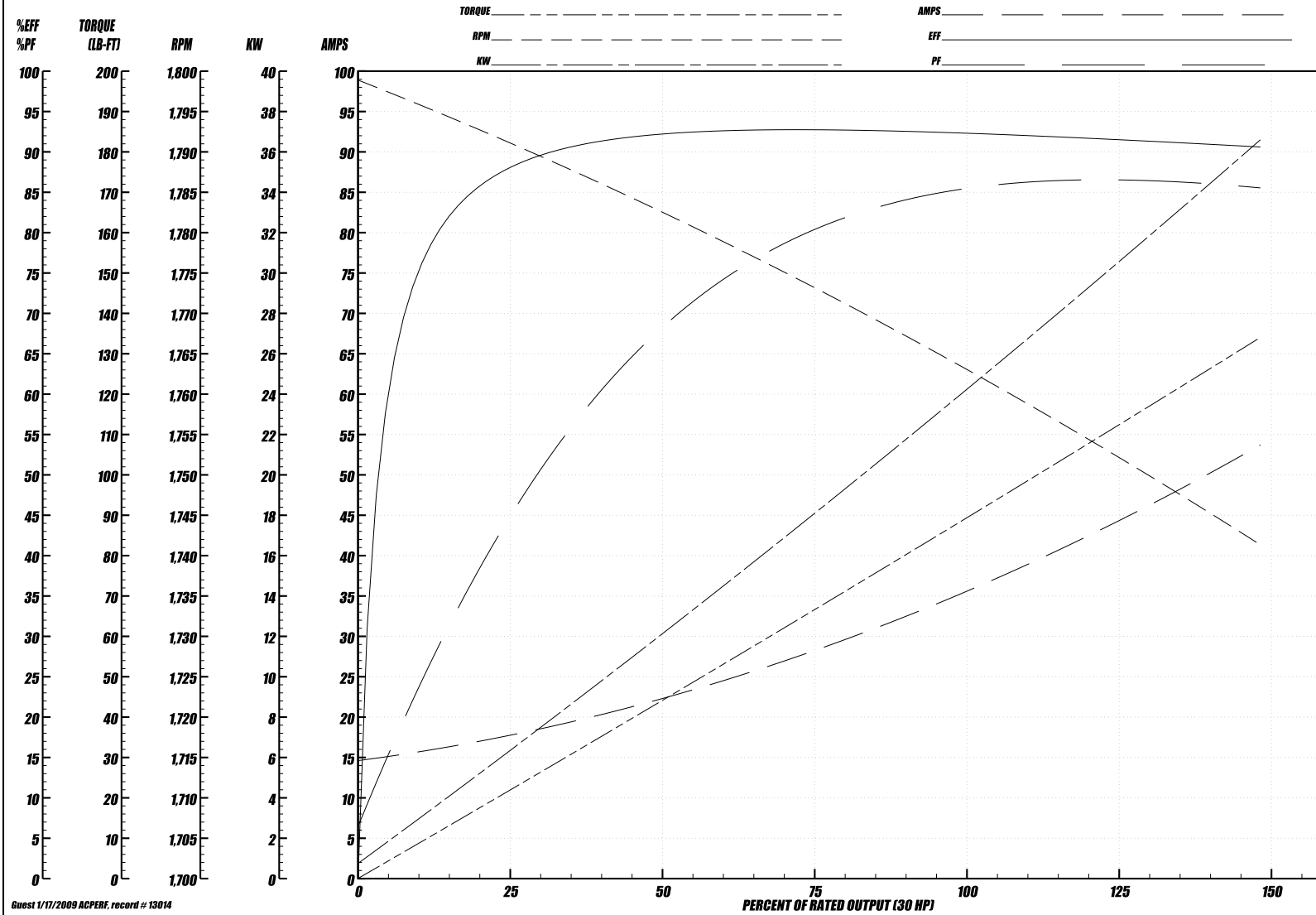
Performance Graph at 460V, 60Hz, 30.0HP (Typical performance - Not guaranteed values)

**BALDOR ELECTRIC COMPANY**

**WINDING # 39WGW960**

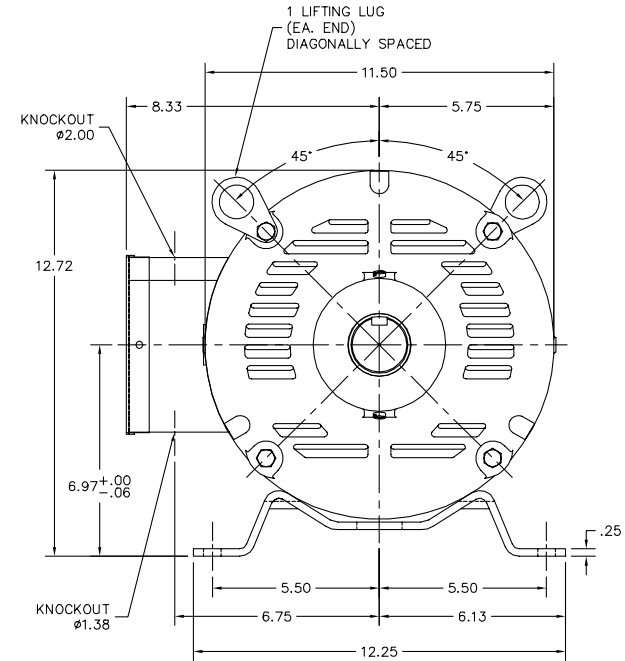
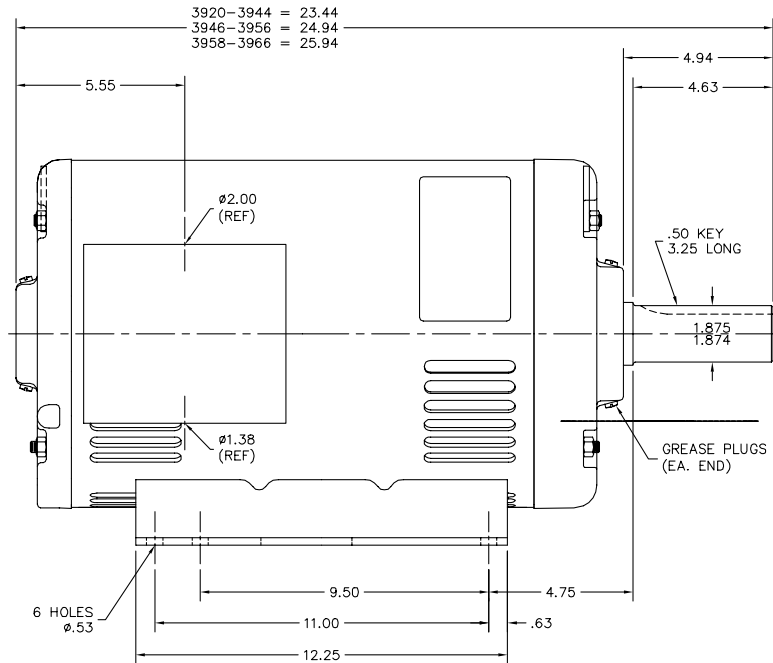
Typical performance - not guaranteed values.

**30 HP 3 PH 60 HZ 1760 RPM 460 V 3952M**  
**TORQUES(LB-FT): P0=280 PU=134 LR=175 LRA=244**



Guest 1/17/2009 ACPERF, record # 13014

39LYP090



CUSTOMER IS RESPONSIBLE FOR DETERMINING THAT MOTOR PERFORMANCE IS SUITABLE IN THE APPLICATION.

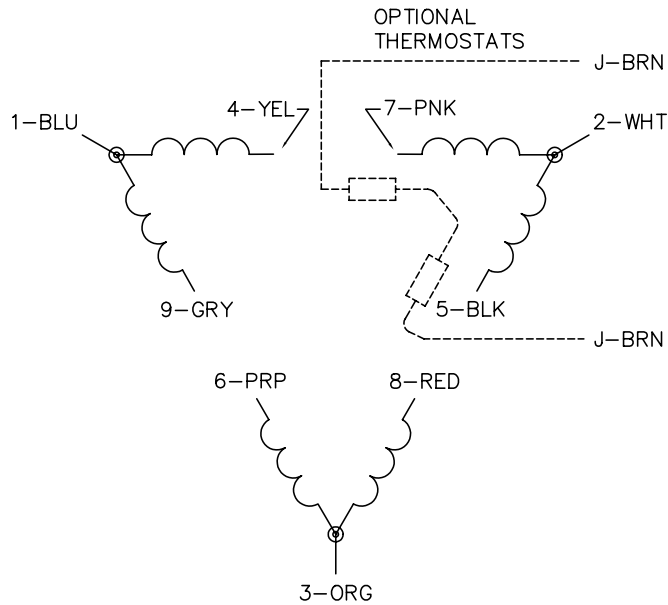
REV. DESC: OPEN IN ACAD SO THE REV WILL MATCH BUS		
REV. LTR: B	VERSION: 02	TDR: 000000425504
FILE: \AAA\00079\740	REVISED: 08:05:35 03/19/2007	BY: ENBREWO
MTL: -		

**BALDOR ELECTRIC Co.**

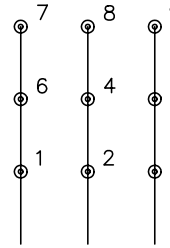
HORZ OPSB 284-6T - HVAC MOTOR

39LYP090

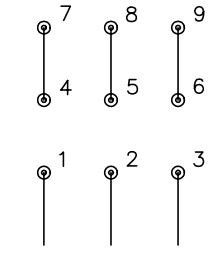
CD0180



LOW VOLTAGE  
(2D)



HIGH VOLTAGE  
(1D)



NOTES:

1. INTERCHANGE ANY TWO LINE LEADS TO REVERSE ROTATION.
2. OPTIONAL THERMOSTATS ARE PROVIDED WHEN SPECIFIED.
3. ACTUAL NUMBER OF INTERNAL PARALLEL CIRCUITS MAY BE A MULTIPLE OF THOSE SHOWN ABOVE.
4. LEAD COLORS ARE OPTIONAL. LEADS MUST ALWAYS BE NUMBERED AS SHOWN.

REV. DESC: REVISE TO SHOW OPTIONAL COLORS			
REV. LTR: C	BY: JLP	REVISED: 01/21/99 2:28	TDR: 0171435
0810D0		FILE: AAA00005148	MDL: -
		MTL: -	

**BALDOR ELECTRIC Co.**

3PH, DV, 9 LEADS, DELTA CONNECTION

CD0180