



BALDOR® • *RELIANCE*

Product Information Packet

HM9249T

40HP,1770RPM,3PH,60HZ,324T,4049M,OPSB,F1

Product Detail							
Revision:	E	Status:	PRD/A	Change #:		Proprietary:	No
Type:	AC	Prod Type:	4049M	Elec. Spec:	40WGW971	CD Diagram:	CD0005
Enclosure	OPSB	Mfg Plant:		Mech Spec:	40J096	Layout:	40LYJ096
Frame:	324T	Mounting:	F1	Poles:	04	Created Date:	
Base:	RG	Rotation:	R	Insulation:	B	Eff. Date:	03-20-2006
Leads:	9#8	Literature:		Elec. Diagram:		Replaced By:	

Nameplate NP1888A01

CAT.NO.	HM9249T						
SPEC.	40J096W971H1						
HP	40						
VOLTS	230/460						
AMPS	95/47.5						
RPM	1770						
FRAME	324T	HZ	60	PH	3		
SER.F.	1.15	CODE	F	DES	B	CL	B
NEMA-NOM-EFF	93	PF	84				
RATING	40C AMB-CONT						
CC	010A	USABLE AT 208V	104				
DE	6312	ODE	6309				
AUTO	N	MANUAL		NONE	Y		
ENCL	OPSB	SN					
BLANK							

Parts List			
Product ID	Description	Quantity	List Price
SA075832	SA 40J096W971H1	1.000	1,477.00
RA069466	RA 40J096W971H1	1.000	1,231.00
S/P101-000-003	EPACT PROC-ZK 280FR & UP,LARGE KOBX,POLY	1.000	
HA6361A01	LIFTING LUG FOR 37, 39 & 40 FRAME (AUTOP	2.000	2.00
40CB4000A01	CONDUIT BOX 40, STAMPED	1.000	45.00
10XN2520K08	1/4-20 X .50 GRADE #5, STL, ZINC PLATE	2.000	2.00
HW1001A25	LOCKWASHER 1/4, ZINC PLT .493 OD, .255 I	2.000	2.00
WD1000B16	KPA-4C BURNDY TERMINAL	1.000	4.00
40EP3200A02	STD FREP OPEN 309 BRG	1.000	244.00
HW5100A11	W3917-042 WVY WSHR (WB)	1.000	4.00
40EP3201A01	PU ENDPLATE, MACH - OPEN - FOR 312 BRG	1.000	174.00
XY3816A12	3/8-16 FINISHED NUT	8.000	2.00
39CB4500A01	CONDUIT BOX LID 39, STAMPED, AUTOPHORETI	1.000	34.00
51XF2520A08	SCREW, HEX SER SLT HD, ZN 1/4-20 X .50 L	2.000	2.00
HW2501H33	KEY, 1/2 SQ X 3.875	1.000	2.00
40AD2002A01	LEXAN BAFFLE 40 FR OPEN	1.000	14.00
HW4500A20	1/8NPT SL PIPE PLUG	2.000	2.00
MJ1000A02	GREASE, POLYREX EM EXXON	0.050	10.00
40AD2002A01	LEXAN BAFFLE 40 FR OPEN	1.000	14.00
HW4500A20	1/8NPT SL PIPE PLUG	2.000	2.00
HA3154A04	THRUBOLT STUD 3/8-16 X 18.750	4.000	4.00
MG1000G55	682.62 LACQUER LIGHT GRAY LHAPS	0.030	61.00
LB1125C04	STD-E (STOCK CTN LABEL STD-E WITH FLAG)	4.000	2.00
LB5040	INSTRUCTION TAG, AC & DC	1.000	2.00

Parts List (continued)			
Product ID	Description	Quantity	List Price
NP1888A01	NP LABEL W/CD0005 (FOR HVAC MOTOR)	1.000	
40PA1000	PACKAGING GROUP	1.000	67.00

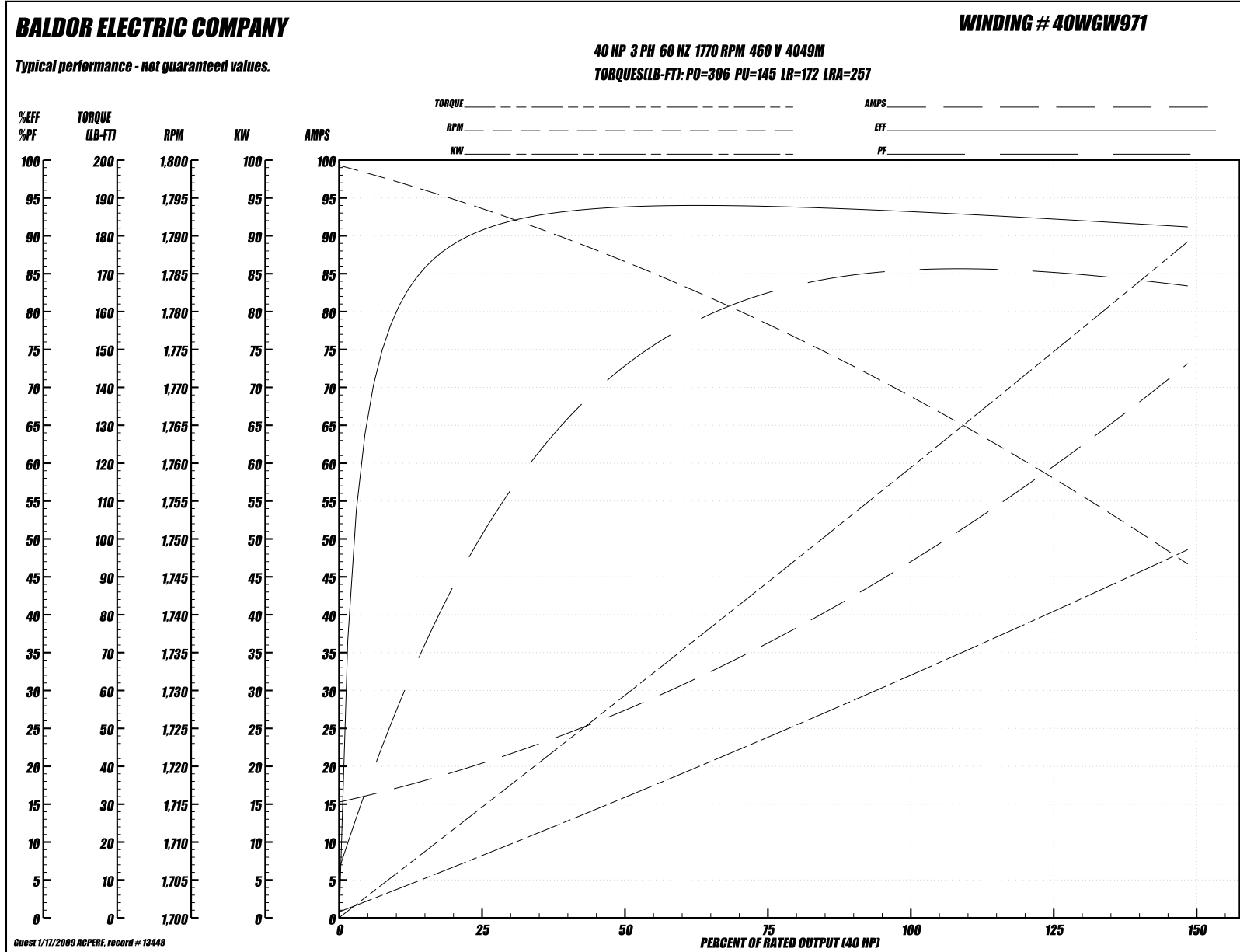
Performance Data at 460V, 60Hz, 40.0HP (Typical performance - Not guaranteed values)
General Characteristics

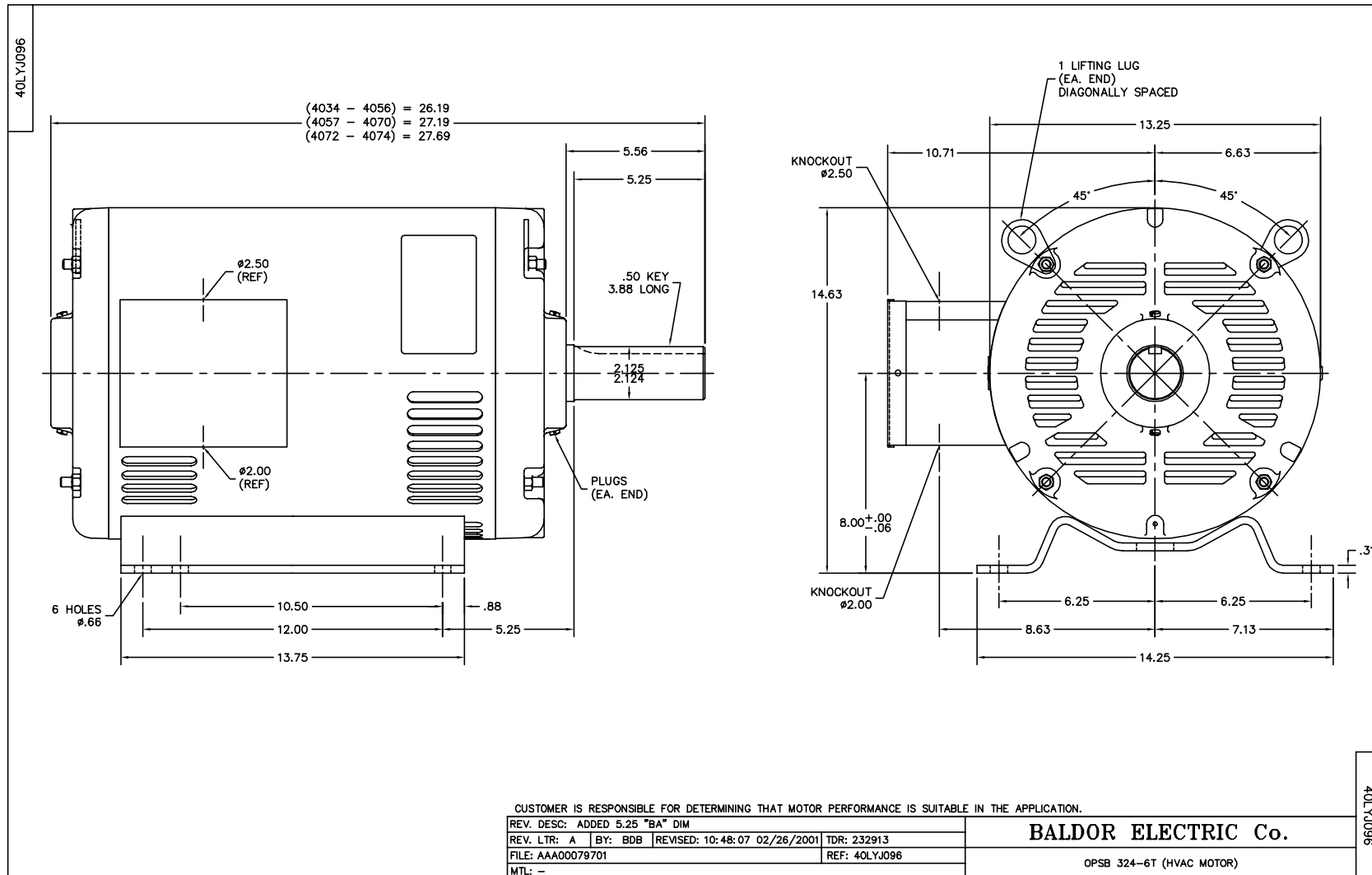
Full Load Torque:	119.0 LB-FT	Start Configuration:	DOL
No-Load Current:	15.9 Amps	Break-Down Torque:	306.0 LB-FT
Line-line Res. @ 25°C.:	0.228 Ohms A Ph / 0.0 Ohms B Ph	Pull-Up Torque:	145.0 LB-FT
Temp. Rise @ Rated Load:	46°C	Locked-Rotor Torque:	172.0 LB-FT
Temp. Rise @ S.F. Load:	58°C	Starting Current:	257.0 Amps

Load Characteristics

% of Rated Load:	25	50	75	100	125	150	S.F.
Power Factor:	54.0	74.0	82.0	84.0	85.0	84.0	85.0
Efficiency:	90.7	93.5	93.9	93.3	92.3	91.1	92.7
Speed:	1794.0	1786.0	1779.0	1768.0	1758.0	1747.0	1762.0
Line Amperes:	19.6	27.3	36.8	47.5	59.5	72.8	54.7

Performance Graph at 460V, 60Hz, 40.0HP (Typical performance - Not guaranteed values)

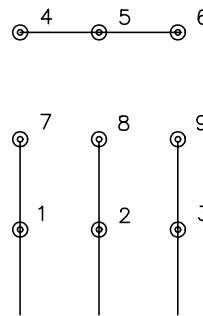




CD0005

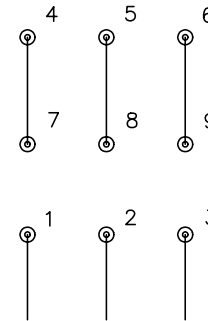


LOW VOLTAGE
(2Y)



LINE

HIGH VOLTAGE
(1Y)



LINE

NOTES:

1. INTERCHANGE ANY TWO LINE LEADS TO REVERSE ROTATION.
2. OPTIONAL THERMOSTATS ARE PROVIDED WHEN SPECIFIED.
3. ACTUAL NUMBER OF INTERNAL PARALLEL CIRCUITS MAY BE A MULTIPLE OF THOSE SHOWN ABOVE.
4. LEAD COLORS ARE OPTIONAL. LEADS MUST ALWAYS BE NUMBERED AS SHOWN.

REV. DESC: REVISE TO SHOW OPTIONAL COLORS			
REV. LTR: E	BY: JLP	REVISED: 01/19/99 10:15	TDR: 0171435
900000		FILE: AAA00005140	MDL: -
		MTL: -	

BALDOR ELECTRIC Co.

3PH, DV, 9 LEADS

CD0005