



# **BALDOR® • *RELIANCE***

## **Product Information Packet**

### **HPM3710T**

**7.5HP,1770RPM,3PH,60HZ,213TYZ,3731M,TEFC**

Product Detail							
Revision:	B	Status:	PRD/A	Change #:		Proprietary:	No
Type:	AC	Prod Type:	3731M	Elec. Spec:	37WGS150	CD Diagram:	CD0005
Enclosure	TEFC	Mfg Plant:		Mech Spec:	37J606	Layout:	37LYJ606
Frame:	213TYZ	Mounting:	F3	Poles:	04	Created Date:	10-04-2006
Base:	RG	Rotation:	R	Insulation:	F	Eff. Date:	09-13-2007
Leads:	9#14	Literature:		Elec. Diagram:		Replaced By:	

**Nameplate NP1256L**

CAT.NO.	HPM3710T						
SPEC.	37J606S150H1						
HP	7.5						
VOLTS	208-230/460						
AMP	22-20.2/10.1						
RPM	1770						
FRAME	213TYZ	HZ	60	PH	3		
SER.F.	1.15	CODE	K	DES	A	CLASS	F
NEMA-NOM-EFF	89.5	PF	77				
RATING	40C AMB-CONT						
CC		USABLE AT 208V					
DE	6208	ODE	6206				
ENCL	TEFC	SN					

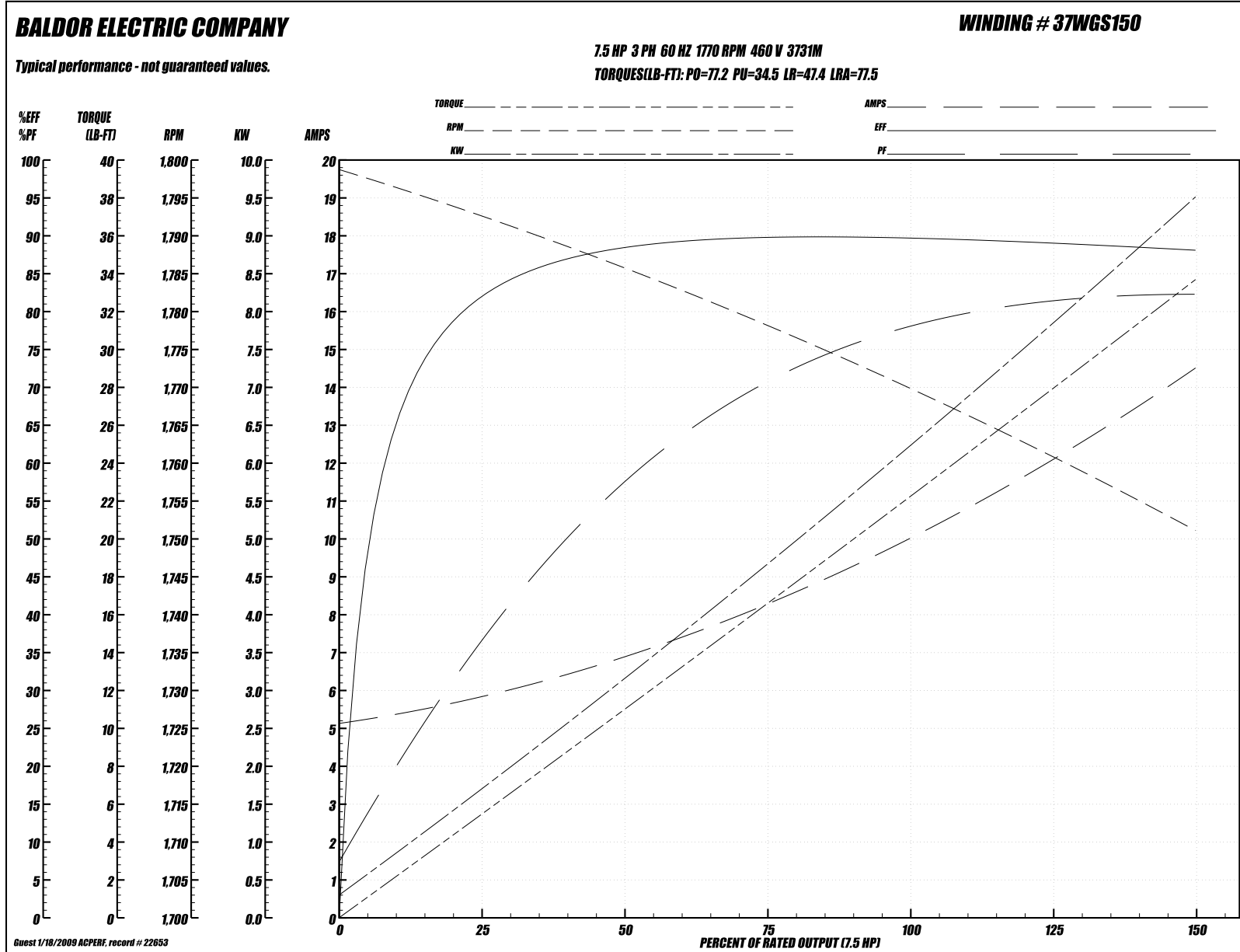
Parts List			
Product ID	Description	Quantity	List Price
SA148532	SA 37J606S150H1	1.000	547.00
RA137495	RA 37J606S150H1	1.000	479.00
37FN3002A01SP		1.000	33.00
S/P101-000-000	EPACT PROCEDURES-FS PLANT-POLYREX EM, NO	1.000	
HW3200A01	3/8-16X3/4 I-BLT WELDED F/S	1.000	4.00
37CB3006	37 CB CASTING W/1.38 LEAD HOLE @ 6:00	1.000	17.00
37GS1000SP	GASKET, CONDUIT BOX STD., .06 THICK LEXI	1.000	4.00
51XW2520A12	.25-20 X .75, TAPTITE II, HEX WSHR SLTD	2.000	3.00
11XT1032G06	10-32X3/8 HX WSHR HD,SLTDTYPE 23,GREEN	1.000	1.00
37EP3101A01SP	FR ENDPLATE,TEFC, 37 L&M, W/GREASER	1.000	143.00
HW4500A01	1641B(ALEMITE)400 UNIV, GREASE FITT	1.000	3.00
HW5100A06	W2420-025 WVY WSHR (WB)	1.000	3.00
37EP1110A44	PU EP 37 ENCL 307 BRG 4-BLT SAE	1.000	253.00
HW4500A01	1641B(ALEMITE)400 UNIV, GREASE FITT	1.000	3.00
XY3118A12	5/16-18 HEX NUT DIRECTIONAL SERRATION	4.000	3.00
07FH4007SP	IEC FH W/GRSR, NOTCH @ 6:00 & 3 FAN CVR	1.000	47.00
51XW1032A06	10-32 X .38, TAPTITE II, HEX WSHR SLTD S	3.000	4.00
37CB4516	CONDUIT BOX LID FOR OPEN AND GP 37 FRAME	1.000	3.00
37GS1008SP	37 GS FOR CB LID - LEXIDE	1.000	3.00
51XW0832A07	8-32 X .44, TAPTITE II, HEX WSHR SLTD SE	4.000	3.00
10XF0440S02	04-40 X 1/8 TYPE F HEX HD STAINLESS STIC	2.000	4.00
LB1115	LABEL,LIFTING DEVICE (ON ROLLS0	1.000	3.00
MJ1000A02	GREASE, POLYREX EM EXXON	0.050	12.00
51XB1214A20	12-14X1.25 HXWSSLD SERTYB	1.000	3.00

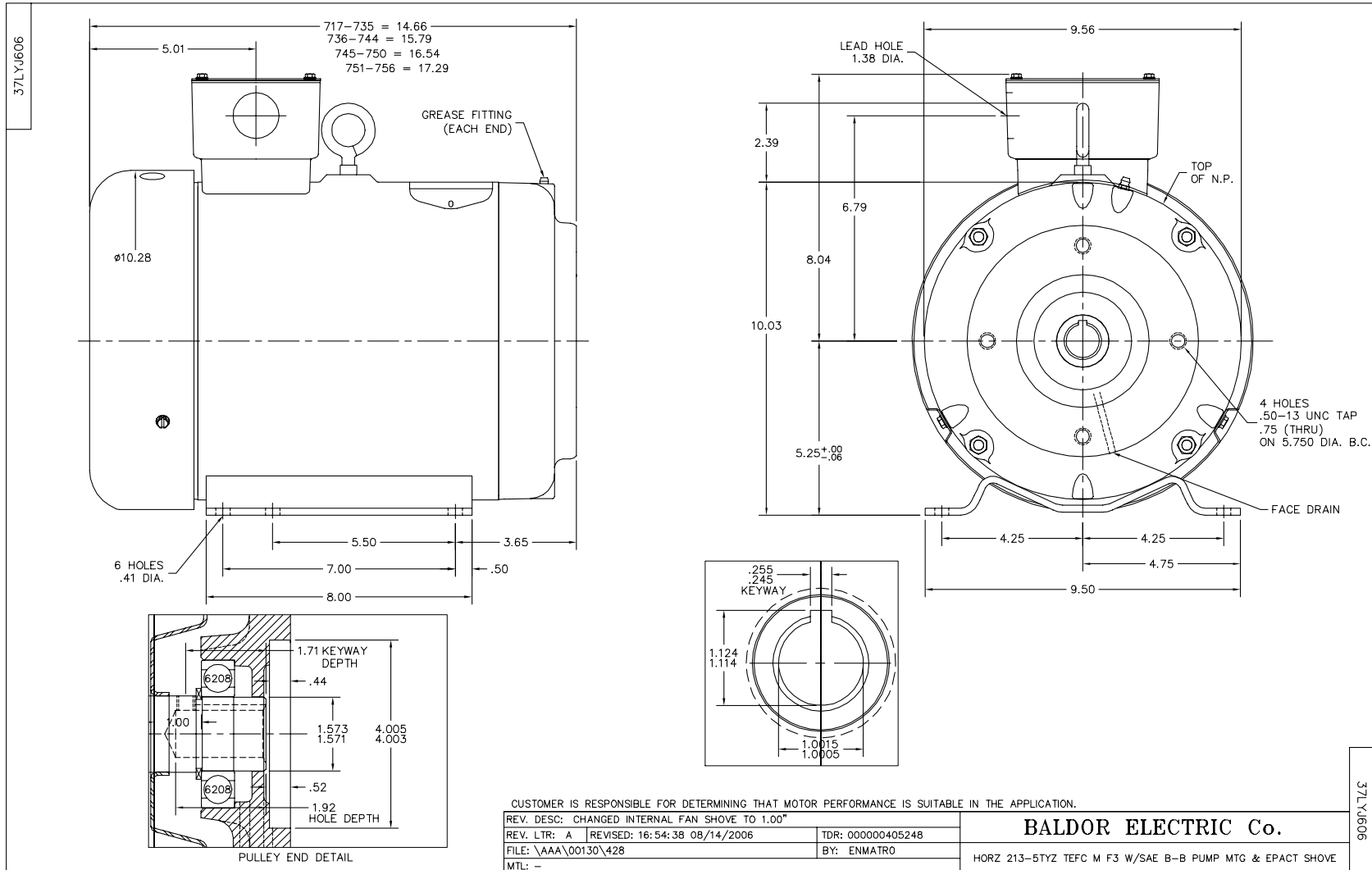
<b>Parts List (continued)</b>			
<b>Product ID</b>	<b>Description</b>	<b>Quantity</b>	<b>List Price</b>
HA3104A14	THRUBOLT- 5/16-18 X12.125(OHIO)	4.000	5.00
MG1000G27	PAINT- S9282E CHARCOAL GREY	0.028	4,000.00
LB1125C04	STD-E (STOCK CTN LABEL STD-E WITH FLAG)	1.000	3.00
LC0005E01	CONN.DIA./WARNING LABEL (LC0005/LB1119)	1.000	3.00
NP1256L	NP STD LASER ENGRAVED, UL CSA CC, W/O TH	1.000	4.00
G0PA1000	PACKAGING GROUP	1.000	46.00

**Performance Data at 460V, 60Hz, 7.5HP (Typical performance - Not guaranteed values)**

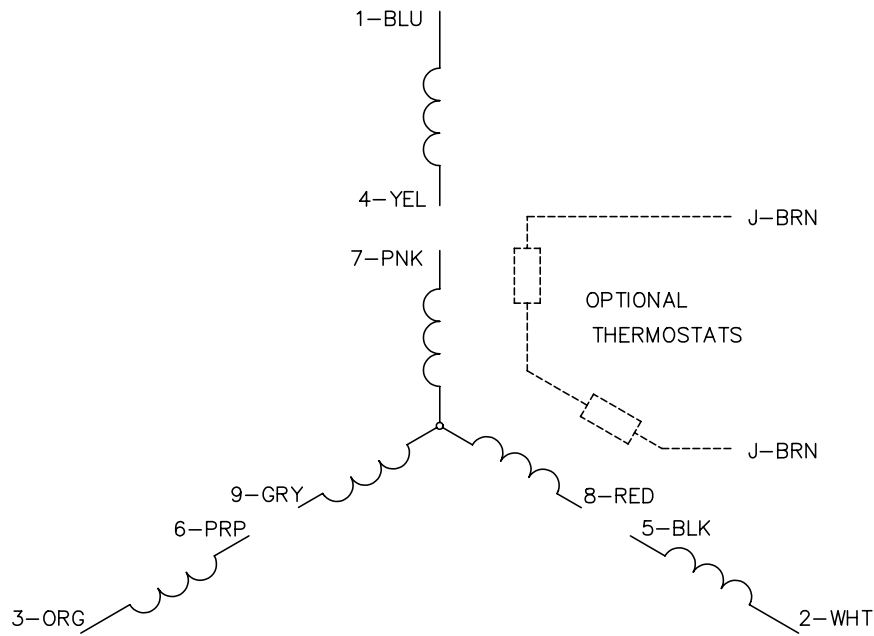
General Characteristics							
<b>Full Load Torque:</b>	22.2 LB-FT			<b>Start Configuration:</b>	DOL		
<b>No-Load Current:</b>	5.25 Amps			<b>Break-Down Torque:</b>	77.2 LB-FT		
<b>Line-line Res. @ 25°C.:</b>	1.37 Ohms A Ph / 0.0 Ohms B Ph			<b>Pull-Up Torque:</b>	34.5 LB-FT		
<b>Temp. Rise @ Rated Load:</b>	69°C			<b>Locked-Rotor Torque:</b>	47.4 LB-FT		
<b>Temp. Rise @ S.F. Load:</b>	87°C			<b>Starting Current:</b>	77.5 Amps		
Load Characteristics							
<b>% of Rated Load:</b>	<b>25</b>	<b>50</b>	<b>75</b>	<b>100</b>	<b>125</b>	<b>150</b>	<b>S.F.</b>
<b>Power Factor:</b>	38.0	58.0	71.0	77.0	81.0	83.0	79.0
<b>Efficiency:</b>	81.8	88.1	89.7	89.8	89.2	88.1	89.4
<b>Speed:</b>	1792.0	1786.0	1778.0	1770.0	1761.0	1751.0	1765.0
<b>Line Amperes:</b>	5.72	6.78	8.33	10.1	12.2	14.4	11.4

Performance Graph at 460V, 60Hz, 7.5HP (Typical performance - Not guaranteed values)

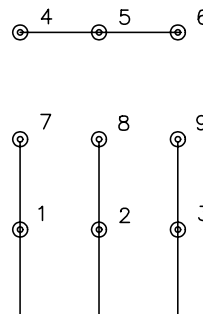




CD0005

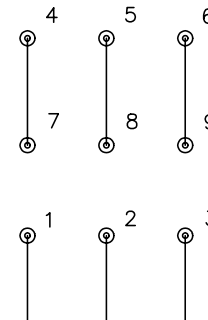


LOW VOLTAGE  
(2Y)



LINE

HIGH VOLTAGE  
(1Y)



LINE

NOTES:

1. INTERCHANGE ANY TWO LINE LEADS TO REVERSE ROTATION.
2. OPTIONAL THERMOSTATS ARE PROVIDED WHEN SPECIFIED.
3. ACTUAL NUMBER OF INTERNAL PARALLEL CIRCUITS MAY BE A MULTIPLE OF THOSE SHOWN ABOVE.
4. LEAD COLORS ARE OPTIONAL. LEADS MUST ALWAYS BE NUMBERED AS SHOWN.

REV. DESC: REVISE TO SHOW OPTIONAL COLORS			
REV. LTR: E	BY: JLP	REVISED: 01/19/99 10:15	TDR: 0171435
90000		FILE: AAA00005140	MDL: -
		MTL: -	

**BALDOR ELECTRIC Co.**

3PH, DV, 9 LEADS

CD0005