



BALDOR® • *RELIANCE*

Product Information Packet

JL1313A

1.5HP,3450RPM,1PH,60HZ,56J,3432LC,OPEN

Product Detail							
Revision:	N	Status:	PRD/A	Change #:		Proprietary:	No
Type:	AC	Prod Type:	3432LC	Elec. Spec:	34WGX598	CD Diagram:	CD0769
Enclosure	OPEN	Mfg Plant:		Mech Spec:	34F531	Layout:	34LYF531
Frame:	56J	Mounting:	F1	Poles:	02	Created Date:	
Base:	N	Rotation:	FOS	Insulation:	B	Eff. Date:	06-03-2008
Leads:	4#16,1#18,1#14	Literature:		Elec. Diagram:		Replaced By:	

Nameplate NP1257L							
CAT.NO.	JL1313A						
SPEC.	34F531X598						
HP	1.5						
VOLTS	115/230						
AMP	13/6.5						
RPM	3450						
FRAME	56J	HZ	60	PH	1		
SER.F.	1.30	CODE	H	DES	-	CL	B
NEMA-NOM-EFF	78.5	PF	95				
RATING	40C AMB-CONT						
CC				USABLE AT 208V			
DE	6203	ODE	6203				
ENCL	OPEN	SN					
	SFA 17/8.5						

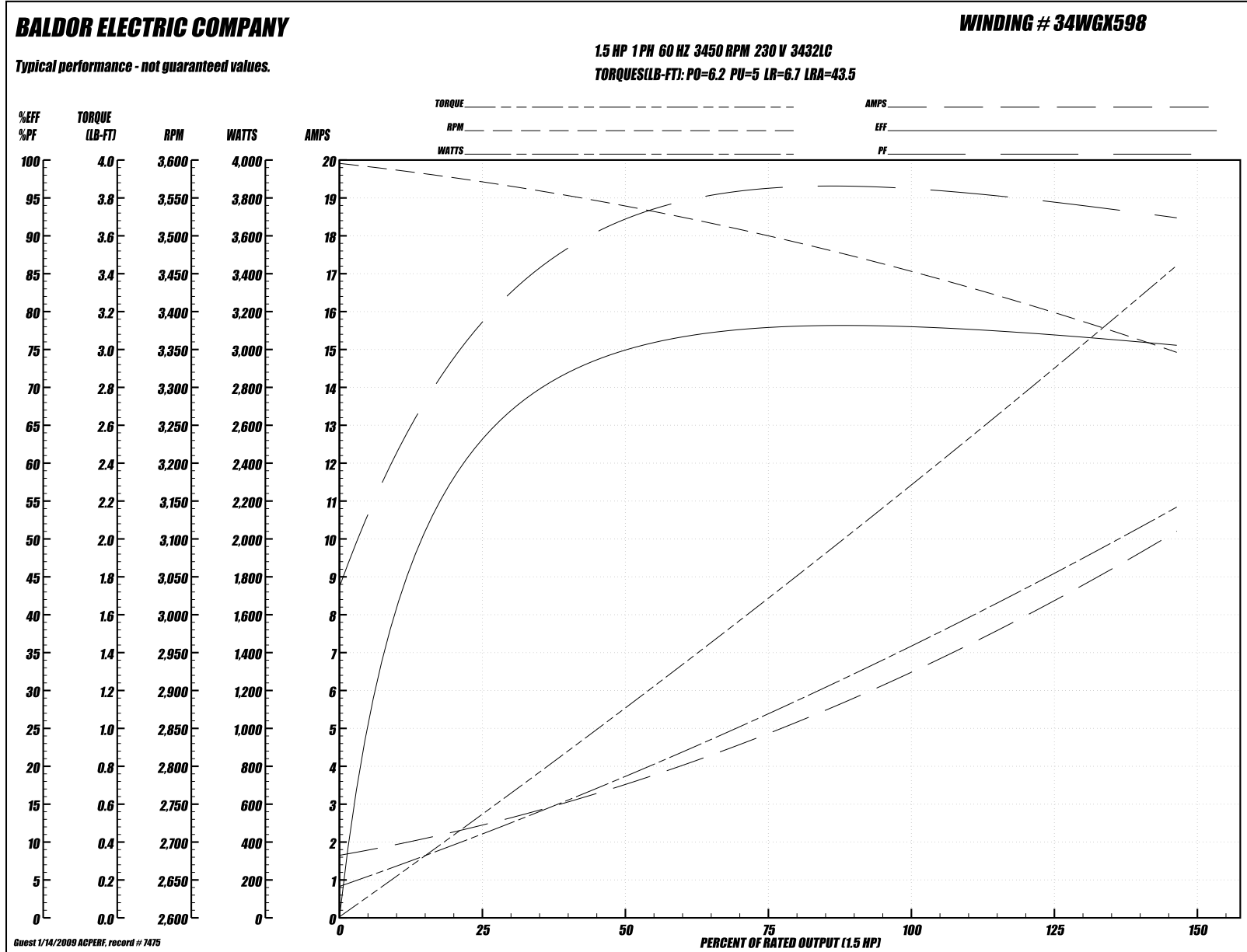
Parts List			
Product ID	Description	Quantity	List Price
SA043979	SA 34F531X598	1.000	267.00
RA039436	RA 34F531X598	1.000	223.00
OC3050C09	CYL OIL CAP 50MFD/240V	1.000	80.00
EC1540A06SP	ELEC CAP, 540-648 MFD, 125V, 2.06D X 4.	1.000	28.00
WD4100A01	DP-875 HEYCO PLUG OR 62MP0875 MICRO PLAS	1.000	2.00
34EP3202A02	FR ENDPLATE, MACH	1.000	49.00
11XT0832G06	8-32 X 3/8 TY 23 TAP GRN. X	1.000	3.00
51XW0832A07	8-32 X .44, TAPTITE II, HEX WSHR SLTD SE	3.000	2.00
NS2501A02	INSULATOR, CAPACITOR BOX	1.000	2.00
34CB3801	CAPACITOR BOX, DIE CAST	1.000	16.00
51XB1214A08	12-14 X 1/2HX WS SL SR TYBX	2.000	2.00
HW5100A03SP	WAVY WASHER (W1543-017)	1.000	2.00
34EP3401A01SP	PU ENDPLATE, MACH	1.000	63.00
34AD2000	BAFFLE PLATE, STAMPED	1.000	2.00
51XT0632A06	6-32X3/8 TY23 HXWS SLDSR	4.000	2.00
51XN1032A20	10-32 X 1 1/4 HX WS SL SR	2.000	2.00
34FH4500A02P	DRIPCOVER, STAMP/PAINT	1.000	34.00
51XW0832A07	8-32 X .44, TAPTITE II, HEX WSHR SLTD SE	2.000	2.00
34CB4501SP	TERMINAL BOX LID, STAMPED X (PLATED)	1.000	20.00
51XW0832A07	8-32 X .44, TAPTITE II, HEX WSHR SLTD SE	2.000	2.00
RM1010A01	35-968-1 VINYL CLS	1.000	2.00
MG1000G27	PAINT- S9282E CHARCOAL GREY	0.014	4,000.00
LB1009	LABEL,ROTATION DIRECTION (ON ROLLS)	1.000	2.00
10XF0440S02	04-40 X 1/8 TYPE F HEX HD STAINLESS STIC	2.000	2.00

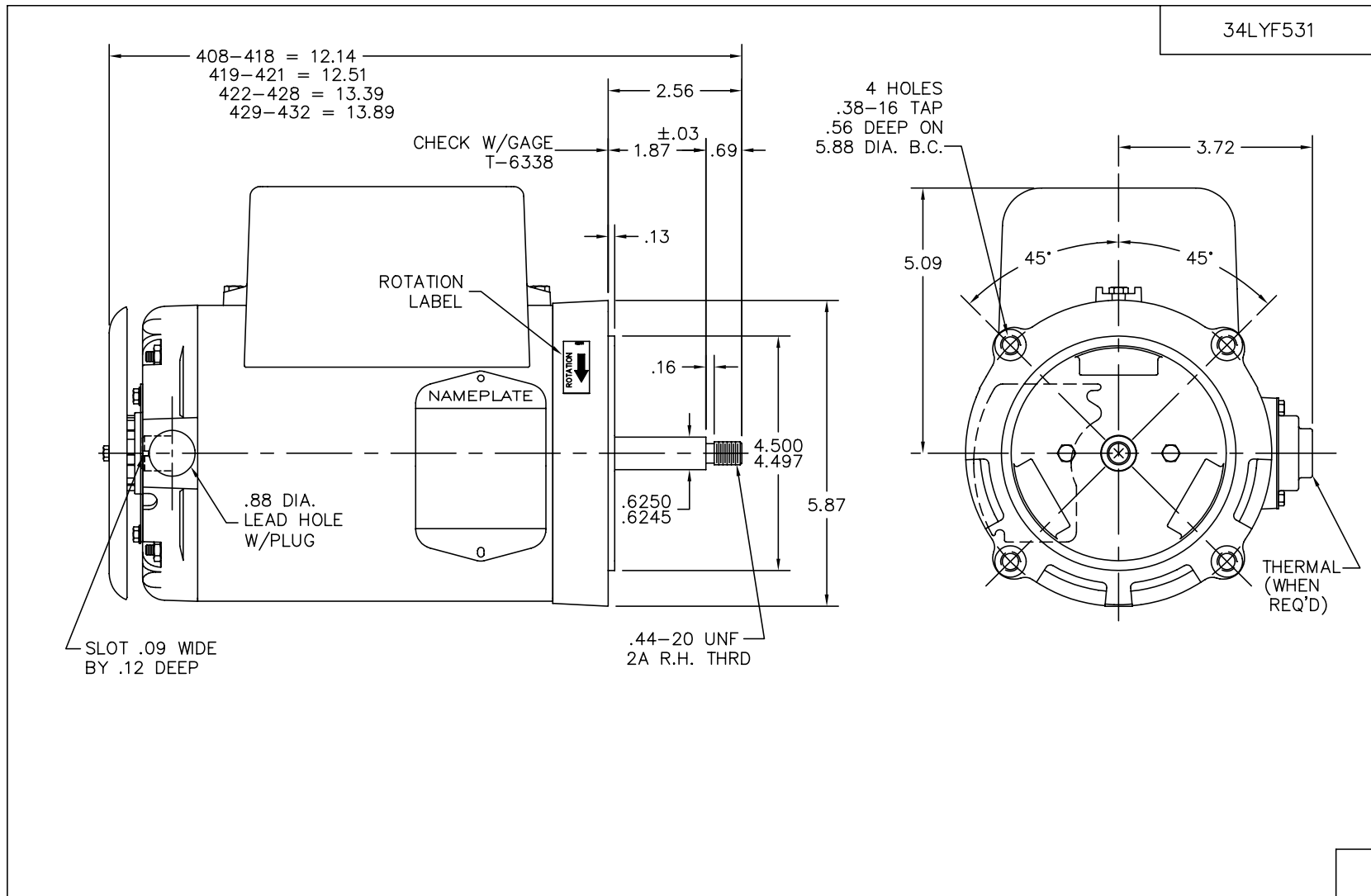
Parts List (continued)			
Product ID	Description	Quantity	List Price
SP5068A03	34LC TERM PANEL STAT SWITCH #E-6" AND #O	1.000	28.00
HA3100A21	THRUBOLT 10-32 X 9.937	4.000	2.00
LB5040	INSTRUCTION TAG, AC & DC	1.000	2.00
LB1125C01	STD (STOCK) CARTON LABEL BALDOR WITH FLA	1.000	2.00
LC0546	CONNECTION LABEL, DV, FIX, W&W/O TP, TER	1.000	2.00
LB1118	LABEL,WARNING (ROLL LABEL)	1.000	2.00
NP1257L	NP STD LASER ENGRAVED THERMAL PROTECTED,	1.000	25.00
PA2502	PACKAGING GROUP	1.000	20.00
PK3083T	STYREFOAM PACKING CRADLE W/TAPE	1.000	2.00

Performance Data at 230V, 60Hz, 1.5HP (Typical performance - Not guaranteed values)

General Characteristics							
Full Load Torque:	2.3 LB-FT			Start Configuration:	DOL		
No-Load Current:	1.65 Amps			Break-Down Torque:	6.2 LB-FT		
Line-line Res. @ 25°C.:	1.58 Ohms A Ph / 1.44 Ohms B Ph			Pull-Up Torque:	5.0 LB-FT		
Temp. Rise @ Rated Load:	38°C			Locked-Rotor Torque:	6.7 LB-FT		
Temp. Rise @ S.F. Load:	53°C			Starting Current:	43.5 Amps		
Load Characteristics							
% of Rated Load:	25	50	75	100	125	150	S.F.
Power Factor:	81.0	90.0	93.0	95.0	95.0	95.0	95.0
Efficiency:	60.5	76.2	77.7	78.5	77.2	75.3	76.8
Speed:	3566.0	3534.0	3498.0	3455.0	3403.0	3343.0	3391.0
Line Amperes:	2.45	3.65	5.0	6.5	8.25	10.25	8.65

Performance Graph at 230V, 60Hz, 1.5HP (Typical performance - Not guaranteed values)

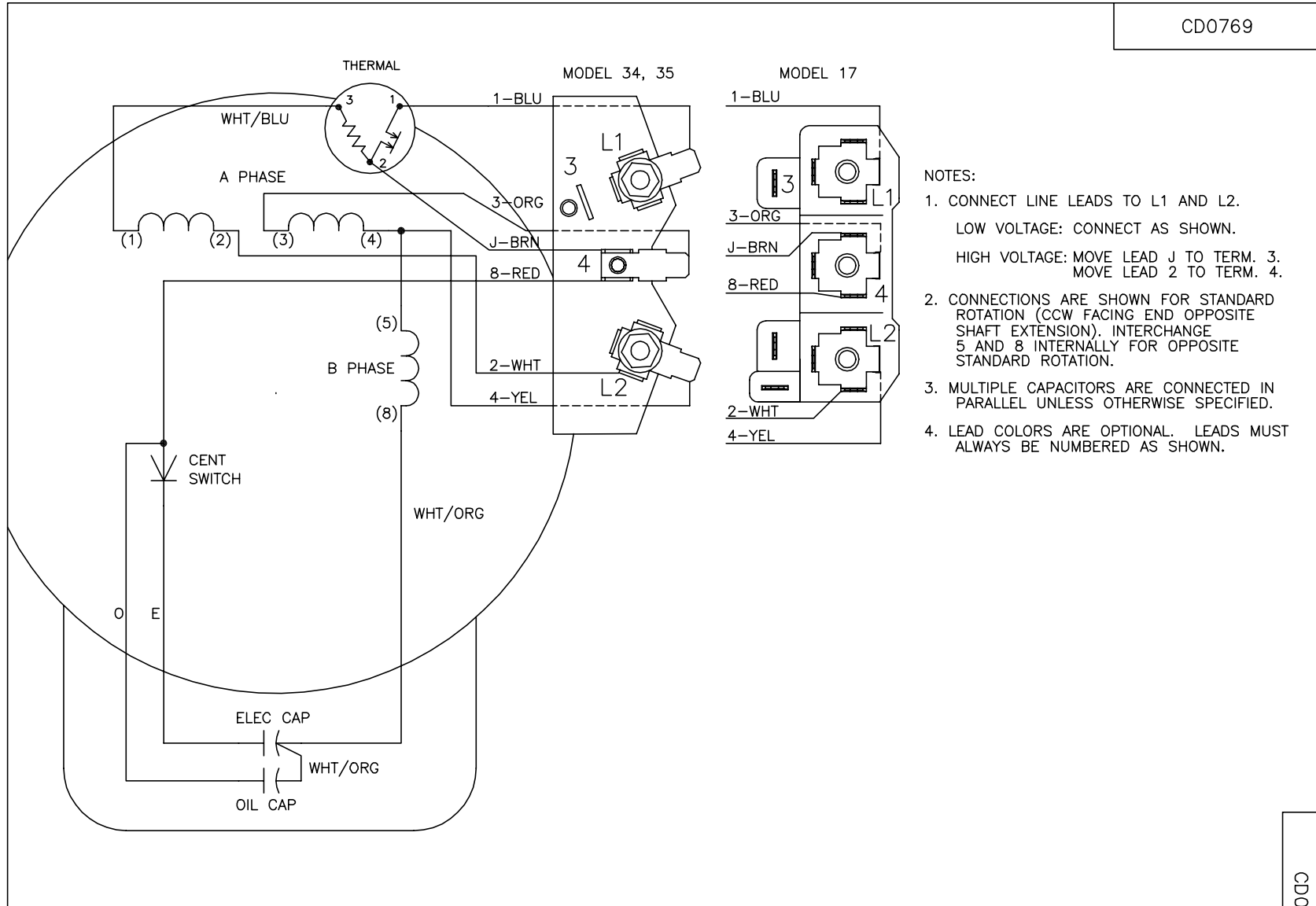




CUST. NAME		CUST. P.O.		CERTIFIED BY		MODEL		INSUL		AMB											
H.P.		MTG		TYPE		R.P.M.		VOLTS		ENCL		PHASE		FREQ		FRAME					
REV. LTR: -												BY: WMB		REVISED: 01/05/99 11:21		TDR: 0170353		BALDOR ELECTRIC Co. STD VERT 34LC NEMA 56J OPEN W/TERM PANEL & DRIP COVER			
34LYF531												FILE: AAA00061300		MDL: -							
												MTL: -									

34LYF531

CD0769



- NOTES:
1. CONNECT LINE LEADS TO L1 AND L2.
LOW VOLTAGE: CONNECT AS SHOWN.
HIGH VOLTAGE: MOVE LEAD J TO TERM. 3.
MOVE LEAD 2 TO TERM. 4.
 2. CONNECTIONS ARE SHOWN FOR STANDARD ROTATION (CCW FACING END OPPOSITE SHAFT EXTENSION). INTERCHANGE 5 AND 8 INTERNALLY FOR OPPOSITE STANDARD ROTATION.
 3. MULTIPLE CAPACITORS ARE CONNECTED IN PARALLEL UNLESS OTHERWISE SPECIFIED.
 4. LEAD COLORS ARE OPTIONAL. LEADS MUST ALWAYS BE NUMBERED AS SHOWN.

REV. DESC: REMOVE OPTIONAL THERMAL CONNECTION		
REV. LTR: E	VERSION: 01	TDR: 00000373051
69Z000	FILE: \AAA\00007\260	REVISED: 15:13:50 09/08/2005
	MTL: -	BY: ENJOEPO

BALDOR ELECTRIC Co.

TYPE LC, DV, FIX, THERMAL, B PH AMPS THRU HTR-HVC, TERM PLATE

CD0769