



BALDOR® • *RELIANCE*

Product Information Packet

JL1322A

2HP,1725RPM,1PH,60HZ,56J,3532LC,OPEN,F1

Product Detail							
Revision:	S	Status:	PRD/A	Change #:		Proprietary:	No
Type:	AC	Prod Type:	3532LC	Elec. Spec:	35WGS506	CD Diagram:	CD0769
Enclosure	OPEN	Mfg Plant:		Mech Spec:	35H992	Layout:	35LYH992
Frame:	56J	Mounting:	F1	Poles:	04	Created Date:	
Base:	N	Rotation:	FOS	Insulation:	B	Eff. Date:	04-21-2008
Leads:	4#14,1#18,1#12	Literature:		Elec. Diagram:		Replaced By:	

Nameplate NP1257L									
CAT.NO.	JL1322A								
SPEC.	35H992S506G1								
HP	2								
VOLTS	115/230								
AMP	18.4/9.2								
RPM	1725								
FRAME	56J	HZ	60	PH	1				
SER.F.	1.15	CODE	J	DES	L	CL	B		
NEMA-NOM-EFF	78.5	PF	89						
RATING	40C AMB-CONT								
CC				USABLE AT 208V					
DE	6205	ODE	6203						
ENCL	OPEN	SN							

Parts List			
Product ID	Description	Quantity	List Price
SA025756	SA 35H992S506G1	1.000	319.00
RA021806	RA 35H992S506G1	1.000	266.00
OC3060C09	CYL OIL CAP 60MFD/240V	1.000	24.00
EC1645A06SP	ELEC CAP, 645-774 MFD, 125V, 2.06D X 4.	1.000	31.00
WD3006A01	RSS-2-103JT 2W 10K RES. METAL OXIDE 5%	1.000	19.00
TP5059	GENERIC THERMAL KIT	1.000	5.00
11XW1032G06	10-32 X .38, TAPTITE II, HEX WSHR SLTD U	1.000	3.00
HW3001A01	D3019 BRASS WASHER(STIMP)	1.000	2.00
35EP3202A02SP	FR ENDPLATE, MACH	1.000	69.00
SP1033A01	INSULATOR MODEL 35 TERM PANEL	1.000	2.00
51XW0832A07	8-32 X .44, TAPTITE II, HEX WSHR SLTD SE	2.000	2.00
35CB3801SP	CAPACITOR COVER, CAST	1.000	22.00
HA7010	CAPACITOR RETENTION CLAMP	1.000	2.00
NS2501A02	INSULATOR, CAPACITOR BOX	1.000	2.00
51XB1016A08	10-16X 1/2HXWSSLD SERTYB	2.000	2.00
HW5100A03SP	WAVY WASHER (W1543-017)	1.000	2.00
35EP3400A13	STD FACE MTD END PLATE OPEN NEMA 56C 05	1.000	56.00
35AD2000	AIR BAFFLE	1.000	6.00
60XW0632A06	6-32 X 3/8 TORX HEAD SCREW TAPTITE II	4.000	
51XN1032A20	10-32 X 1 1/4 HX WS SL SR	2.000	2.00
35FH4500A02	DRIP COVER, STAMPED (W/ AUTOPHERETIC PRI	1.000	42.00
51XW0832A07	8-32 X .44, TAPTITE II, HEX WSHR SLTD SE	2.000	2.00
35CB4500SP	TERMINAL BOX LID STAMPED	1.000	14.00
51XW0832A07	8-32 X .44, TAPTITE II, HEX WSHR SLTD SE	2.000	2.00

Parts List (continued)			
Product ID	Description	Quantity	List Price
10XF0440S02	04-40 X 1/8 TYPE F HEX HD STAINLESS STIC	2.000	2.00
MJ1000A02	GREASE, POLYREX EM EXXON	0.050	10.00
MG1000G27	PAINT- S9282E CHARCOAL GREY	0.017	4,000.00
WD1000A15	3-520132-2 AMP FLAG (4M/RL NON-CANC/NON-	4.000	2.00
SP5065A03	34/35 TP STAT SW W/ LEADS, NO THERMAL	1.000	80.00
HA3100A18	THRUBOLT 10-32 X 9.250	4.000	2.00
LB1118	LABEL,WARNING (ROLL LABEL)	1.000	2.00
LB1125C01	STD (STOCK) CARTON LABEL BALDOR WITH FLA	1.000	2.00
LC0546	CONNECTION LABEL, DV, FIX, W&W/O TP, TER	1.000	2.00
NP1257L	NP STD LASER ENGRAVED THERMAL PROTECTED,	1.000	25.00
35PA1066	PACKING GROUP COMBINED PRINT	1.000	13.00
PK3082	STYROFOAB CRADLE	1.000	2.00

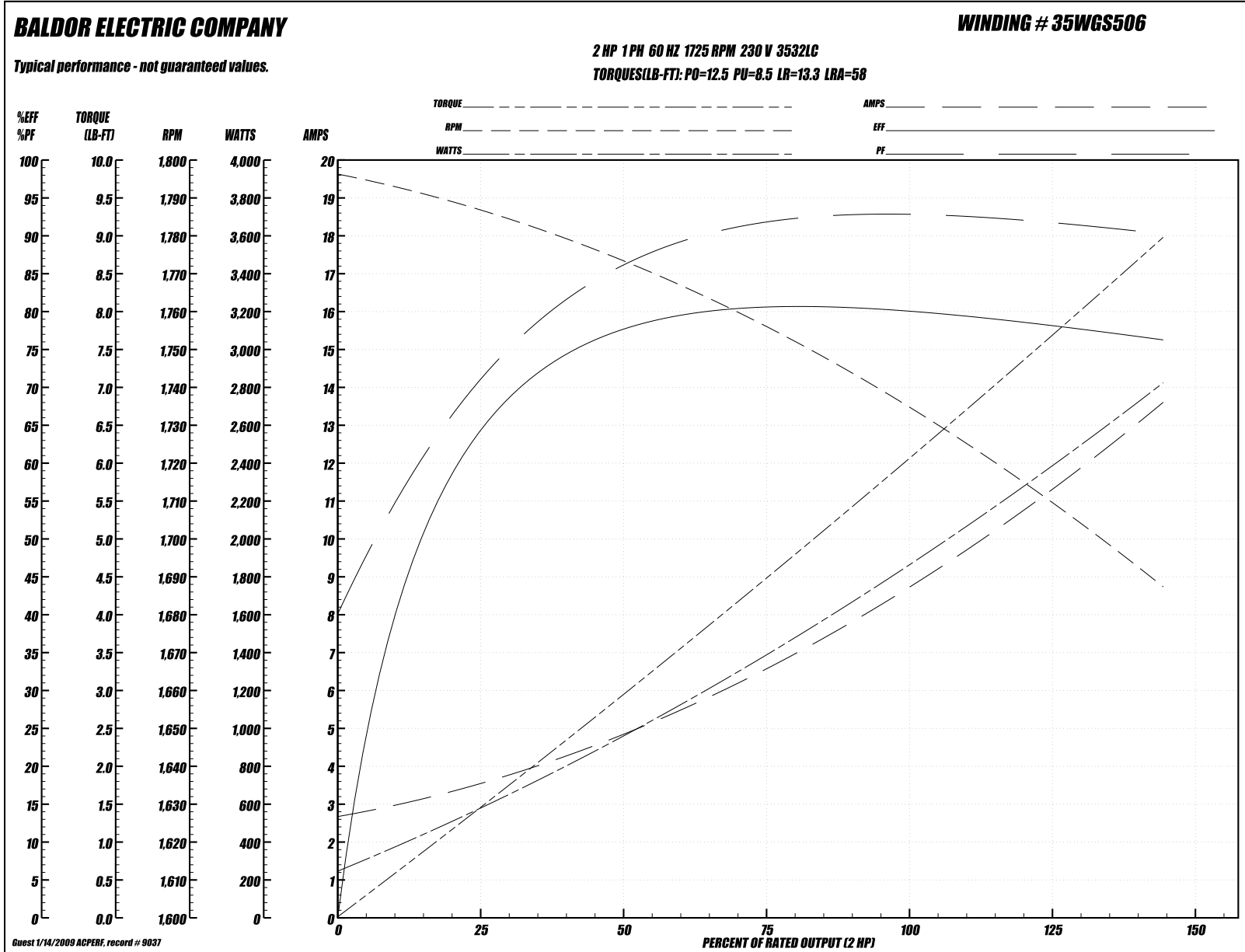
Performance Data at 230V, 60Hz, 2.0HP (Typical performance - Not guaranteed values)
General Characteristics

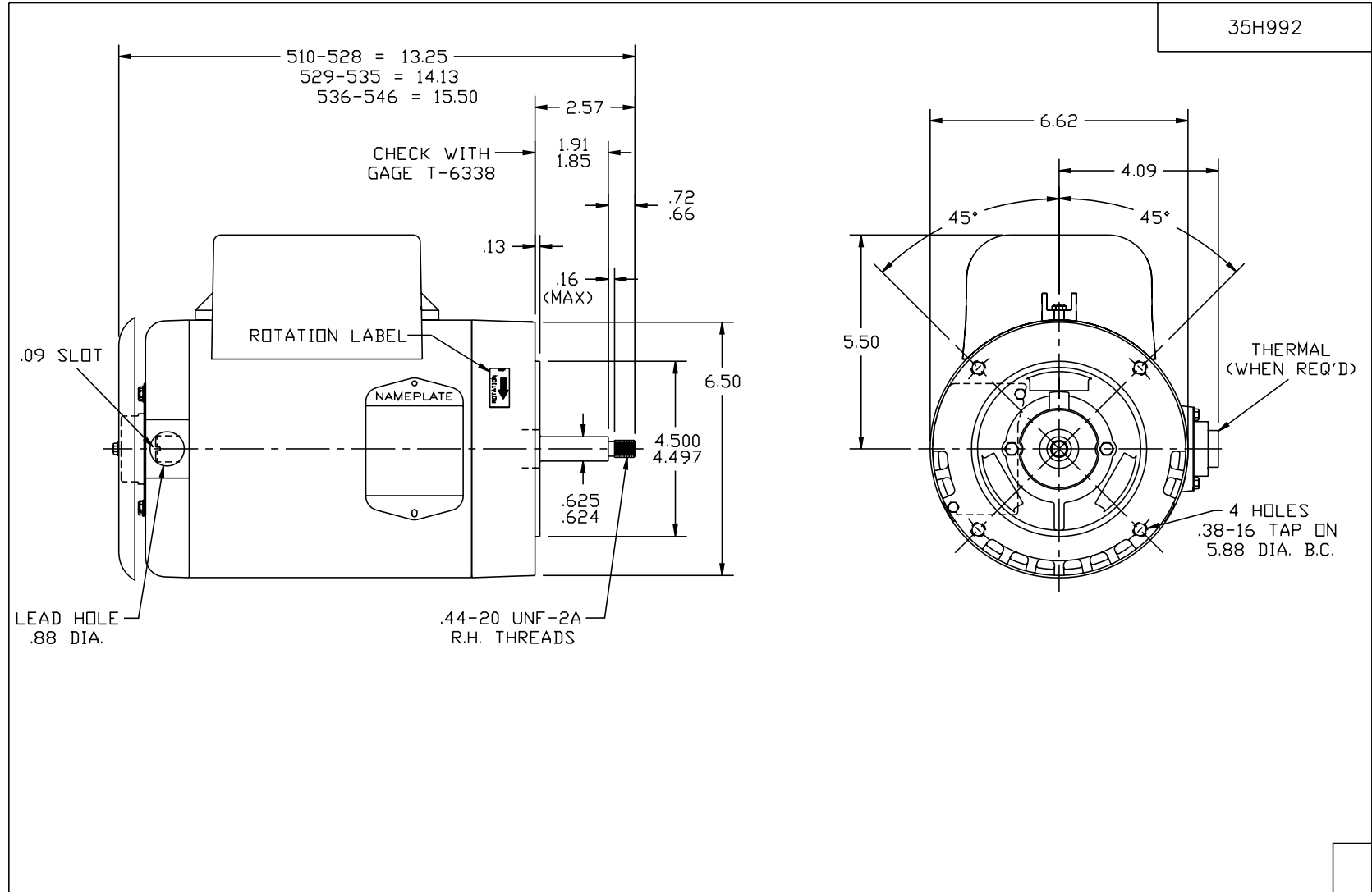
Full Load Torque:	6.0 LB-FT	Start Configuration:	DOL
No-Load Current:	2.65 Amps	Break-Down Torque:	12.5 LB-FT
Line-line Res. @ 25°C.:	1.58 Ohms A Ph / 1.28 Ohms B Ph	Pull-Up Torque:	8.5 LB-FT
Temp. Rise @ Rated Load:	60°C	Locked-Rotor Torque:	13.3 LB-FT
Temp. Rise @ S.F. Load:	73°C	Starting Current:	58.0 Amps

Load Characteristics

% of Rated Load:	25	50	75	100	125	150	S.F.
Power Factor:	73.0	86.0	91.0	93.0	94.0	94.0	94.0
Efficiency:	63.4	76.5	80.4	80.8	79.2	75.7	79.8
Speed:	1785.0	1771.0	1756.0	1737.0	1715.0	1685.0	1724.0
Line Amperes:	3.55	4.95	6.65	8.6	10.9	13.7	10.0

Performance Graph at 230V, 60Hz, 2.0HP (Typical performance - Not guaranteed values)

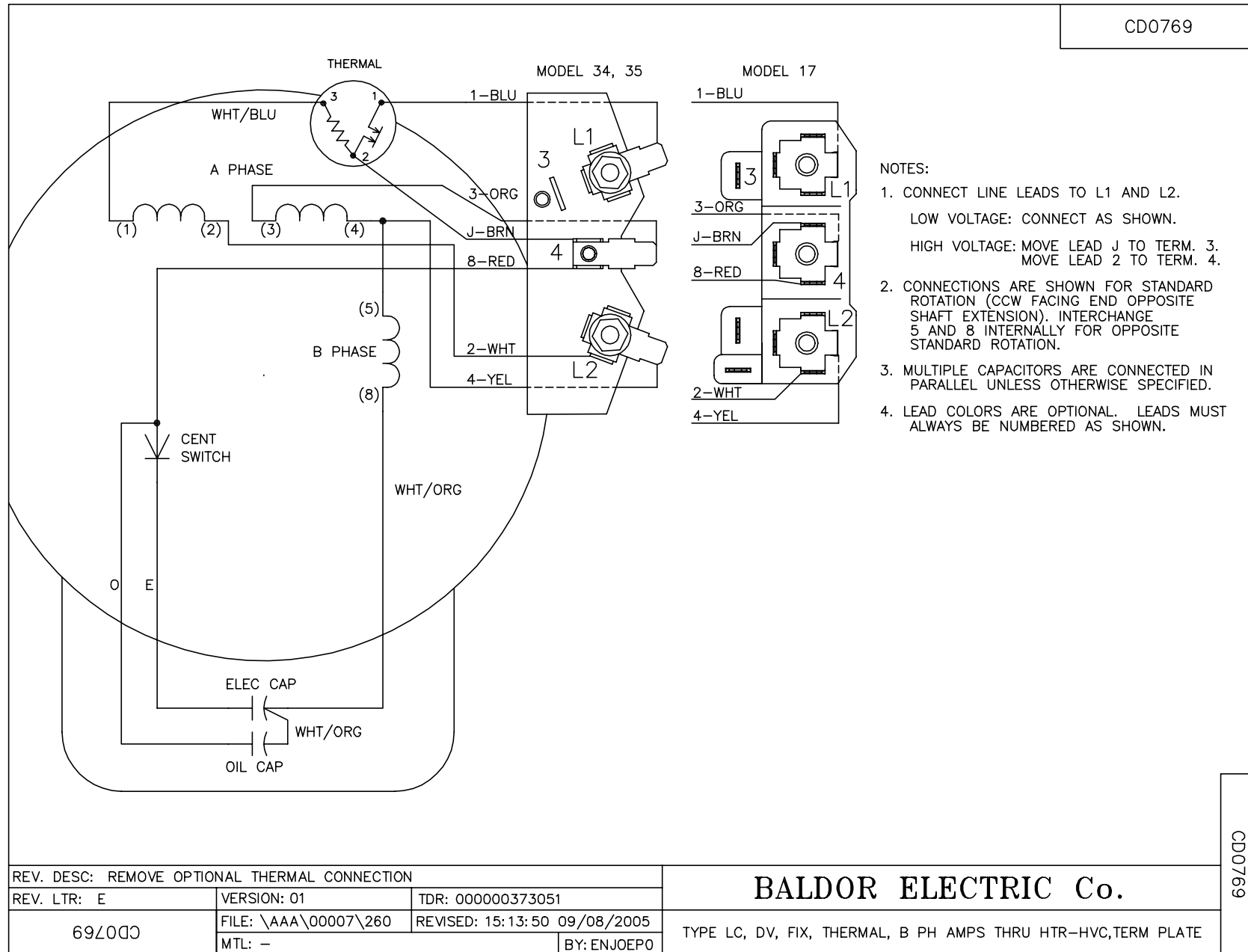




CUST. NAME		CUST. P.O.		CERTIFIED BY		MODEL		INSUL		AMB	
H.P.		MTG		TYPE		R.P.M.		VOLTS		ENCL	
PHASE		FREQ		FRAME		REMARKS:					
REV:	C	REDRAWN TO AUTOCAD									
Z66HGΣ		SCALE: .3	BY: SSS	REVISED: 09/06/94	BALDOR ELECTRIC Co.						
		FILE: AAA00014083	TDR: 0051036	STD VERT FACE MTD 35LC OPEN 56J W/TERM PLATE & DRIP COVER							

35H992

CD0769



CD0769

REV. DESC: REMOVE OPTIONAL THERMAL CONNECTION		
REV. LTR: E	VERSION: 01	TDR: 000000373051
69Z000	FILE: \AAA\00007\260	REVISED: 15:13:50 09/08/2005
	MTL: -	BY: ENJOEPO

BALDOR ELECTRIC Co.

TYPE LC, DV, FIX, THERMAL, B PH AMPS THRU HTR-HVC, TERM PLATE