



BALDOR® • *RELIANCE*

Product Information Packet

JL3513A

1.5HP,3450RPM,1PH,60HZ,56J,3528L,TEFC,F1

Product Detail							
Revision:	AG	Status:	PRD/A	Change #:		Proprietary:	No
Type:	AC	Prod Type:	3528L	Elec. Spec:	35WG0525	CD Diagram:	CD0094
Enclosure	TEFC	Mfg Plant:		Mech Spec:	35F083	Layout:	35LYF083
Frame:	56J	Mounting:	F1	Poles:	02	Created Date:	06-21-2007
Base:	N	Rotation:	FOS	Insulation:	B	Eff. Date:	12-05-2008
Leads:	4#16,2#18,1#14	Literature:		Elec. Diagram:		Replaced By:	

Nameplate NP1257L							
CAT.NO.	JL3513A						
SPEC.	35F83-525						
HP	1.5						
VOLTS	115/230						
AMP	16.6/8.3						
RPM	3450						
FRAME	56J	HZ	60	PH	1		
SER.F.	1.00	CODE	H	DES	L	CL	B
NEMA-NOM-EFF	70	PF	82				
RATING	40C AMB-CONT						
CC		USABLE AT 208V	8.6				
DE	6205	ODE	6203				
ENCL	TEFC	SN					

Parts List			
Product ID	Description	Quantity	List Price
SA024900	SA 35F83-525	1.000	286.00
RA020950	RA 35F83-525	1.000	238.00
EC1645A06SP	ELEC CAP, 645-774 MFD, 125V, 2.06D X 4.	1.000	31.00
TP5059	GENERIC THERMAL KIT	1.000	5.00
NS2512A01	INSULATOR, CONDUIT BOX X X	1.000	2.00
35CB3007	35 CB CASTING W/.88 DIA. LEAD HOLE	1.000	27.00
36GS1000SP	GASKET-CONDUIT BOX, .06 THICK #SV-330 LE	1.000	5.00
51XB1016A07	10-16 X 7/16 HXWSSLD SERTYB	2.000	2.00
11XW1032G06	10-32 X .38, TAPTITE II, HEX WSHR SLTD U	1.000	3.00
35EP3100M02	FREP TEFC 203 BRG W/O GR SR (RAISED FH MT	1.000	28.00
51XW0832A07	8-32 X .44, TAPTITE II, HEX WSHR SLTD SE	2.000	2.00
NS2501A01	INSULATOR, CAPACITOR X	1.000	2.00
51XB1016A05	10-16X5/16HX WA SL SR TYB (F/S)	2.000	2.00
HW5100A03SP	WAVY WASHER (W1543-017)	1.000	2.00
35EP3300A02SP	PU ENDPLATE, MACH	1.000	81.00
51XN1032A20	10-32 X 1 1/4 HX WS SL SR	2.000	2.00
35FN3002A05SP	EXTERNAL FAN, PLASTIC, FOR .637 DIA JOUR	1.000	22.00
51XB1214A16	12-14X1.00 HXWSSLD SERTYB	1.000	2.00
35FH4005A55	IEC FH NO GR SR,3 MTG HOLE NO DIMPLES, 1.	1.000	21.00
51XW1032A06	10-32 X .38, TAPTITE II, HEX WSHR SLTD S	3.000	3.00
WD4100A10	465 NIAGARA PLUG (SO ELEC),FOR 1.093 DIA	1.000	2.00
35CB4521	35 LIPPED CB LID (GALV & PHOSPH)	1.000	2.00
35GS1030	35 GS FOR CB LID - LEXIDE	1.000	2.00
51XW0832A07	8-32 X .44, TAPTITE II, HEX WSHR SLTD SE	4.000	2.00

Parts List (continued)			
Product ID	Description	Quantity	List Price
10XF0440S02	04-40 X 1/8 TYPE F HEX HD STAINLESS STIC	2.000	2.00
WD1000A15	3-520132-2 AMP FLAG (4M/RL NON-CANC/NON-	2.000	2.00
MJ1000A02	GREASE, POLYREX EM EXXON	0.050	10.00
MG1000G27	PAINT- S9282E CHARCOAL GREY	0.017	4,000.00
LB1009	LABEL,ROTATION DIRECTION (ON ROLLS)	1.000	2.00
SP5055A27	MODEL 35 TYPE L STATIONARY SWITCH LEAD A	1.000	24.00
35CB4802A02SP	CAPACITOR COVER, STAMPED X W/AUTOPHORET	1.000	16.00
35GS3001A02	GASKET, CA.COVER, 5.38 LONG .06 CS301	1.000	4.00
HA3100A15	THRUBOLT 10-32 X 8.375	4.000	2.00
LB1118	LABEL,WARNING (ROLL LABEL)	1.000	2.00
LB1125C01	STD (STOCK) CARTON LABEL BALDOR WITH FLA	1.000	2.00
LC0031	CONNECTION LABEL	1.000	2.00
NP1257L	NP STD LASER ENGRAVED THERMAL PROTECTED,	1.000	25.00
35PA1066	PACKING GROUP COMBINED PRINT	1.000	13.00
PK3082	STYROFOAB CRADLE	1.000	2.00

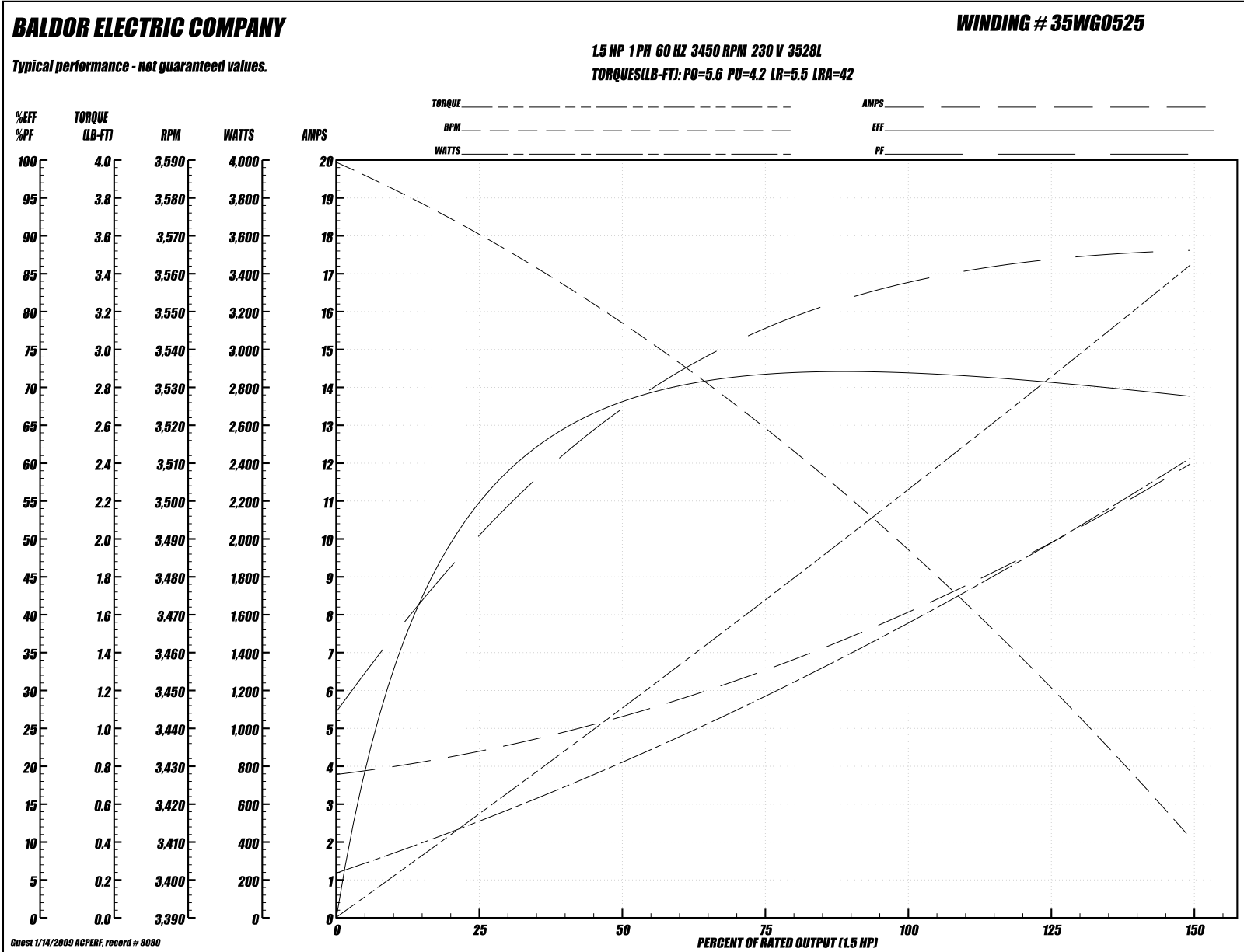
Performance Data at 230V, 60Hz, 1.5HP (Typical performance - Not guaranteed values)
General Characteristics

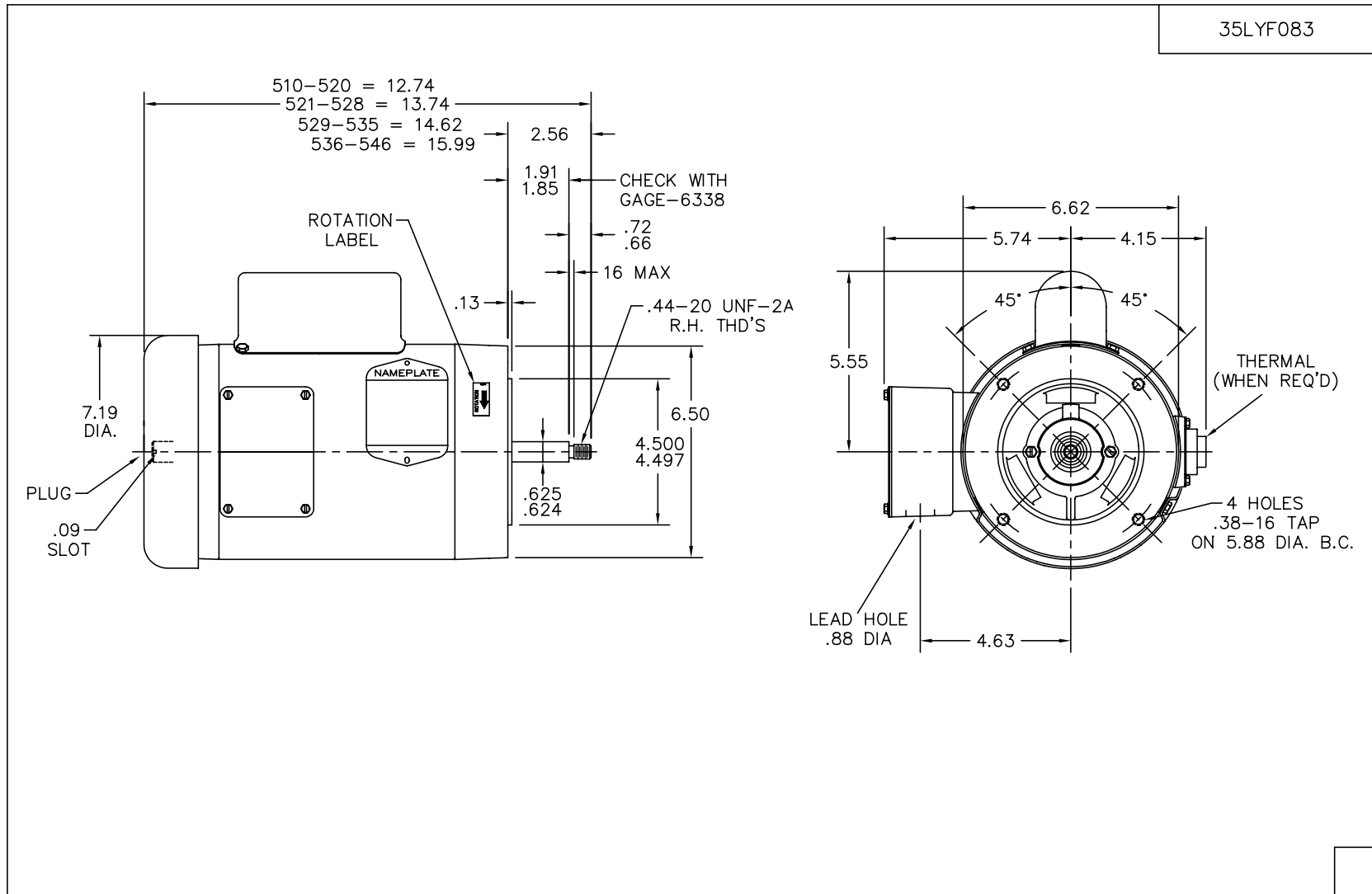
Full Load Torque:	2.3 LB-FT	Start Configuration:	DOL
No-Load Current:	3.8 Amps	Break-Down Torque:	5.6 LB-FT
Line-line Res. @ 25°C.:	1.26 Ohms A Ph / 1.23 Ohms B Ph	Pull-Up Torque:	4.2 LB-FT
Temp. Rise @ Rated Load:	70°C	Locked-Rotor Torque:	5.5 LB-FT
Temp. Rise @ S.F. Load:	0°C	Starting Current:	42.0 Amps

Load Characteristics

% of Rated Load:	25	50	75	100	125	150	S.F.
Power Factor:	52.0	69.0	78.0	84.0	87.0	88.0	0.0
Efficiency:	54.9	67.7	71.6	72.4	71.2	68.4	0.0
Speed:	3568.0	3543.0	3518.0	3485.0	3452.0	3409.0	0.0
Line Amperes:	4.4	5.4	6.6	8.3	9.9	12.0	0.0

Performance Graph at 230V, 60Hz, 1.5HP (Typical performance - Not guaranteed values)



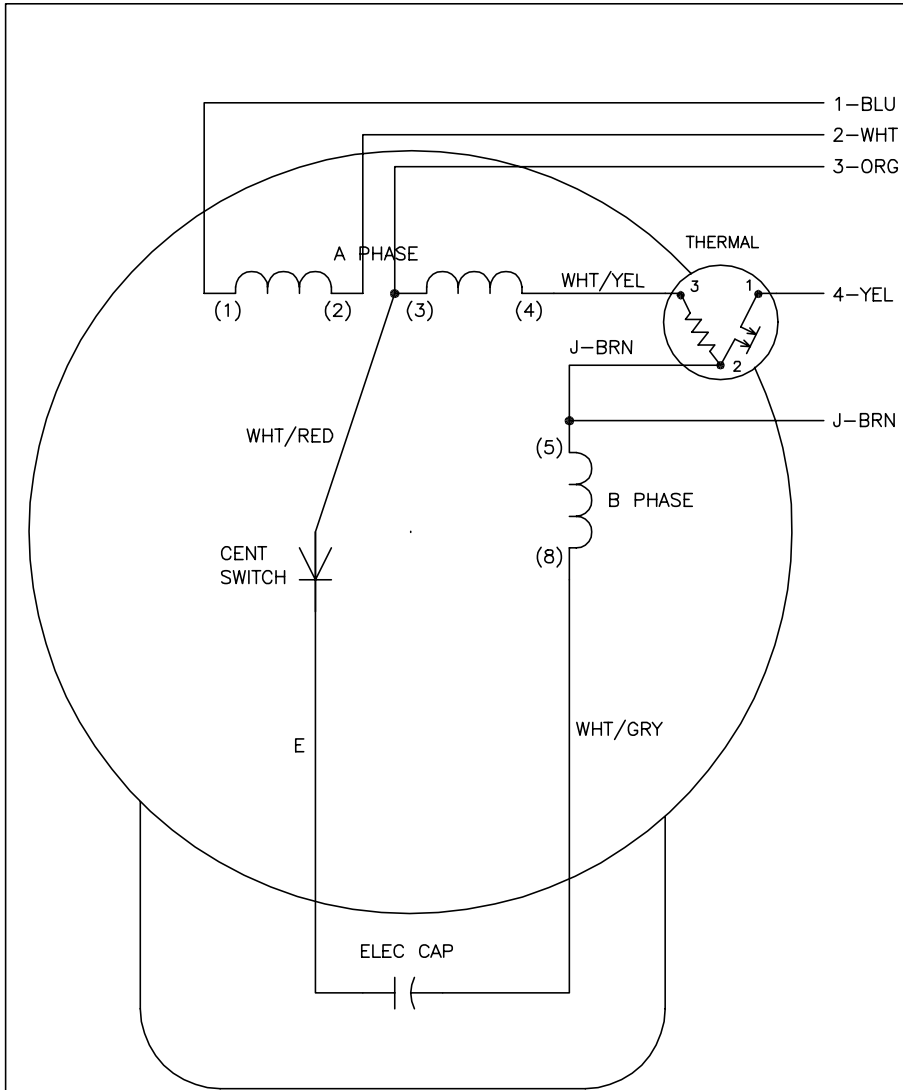


35LYF083

CUST. NAME		CUST. P.O.		CERTIFIED BY		MODEL		INSUL		AMB							
H.P.		MTG		TYPE		R.P.M.		VOLTS		ENCL							
PHASE		FREQ		FRAME		<p>BALDOR ELECTRIC Co.</p> <p>STD FACE MTD VERT 56J TEFC 35L</p>											
REV. DESC: CHG'D CONDUIT BOX AND LID (SEE EC09)																	
REV. LTR: P		BY: JED		REVISED: 04/07/99 6:45								TDR: 0171801					
35LYF083				FILE: AAA00008274		MDL: -											
				MTL: -													

35LYF083

CD0094



	LINE A	LINE B	JOIN	JOIN
HIGH	1	4	2,3	J
LOW	1,3	4	2,J	-

NOTES:

1. CONNECTIONS ARE SHOWN FOR CCW ROTATION FACING END OPPOSITE SHAFT EXTENSION (STD). FOR CW ROTATION, INTERCHANGE 5 AND 8 INTERNALLY.
2. MULTIPLE CAPACITORS ARE CONNECTED IN PARALLEL UNLESS OTHERWISE SPECIFIED.
3. LEAD COLORS ARE OPTIONAL. LEADS MUST ALWAYS BE NUMBERED AS SHOWN.

REV. DESC: REMOVE OPTIONAL THERMAL CONNECTION			
REV. LTR: E	VERSION: 01	TDR: 000000373039	
CD0094	FILE: \AAA\00007\476	REVISED: 11:12:36 08/11/2005	
	MTL: -	BY: ENJOEPO	

BALDOR ELECTRIC Co.

TYPE L, DV, FIX, THERMAL, 5 LEAD

CD0094