



BALDOR® • *RELIANCE*

Product Information Packet

JM225

.33HP,3450RPM,3PH,60HZ,56J,1708M,OPEN,F1

Product Detail							
Revision:	A	Status:	PRD/A	Change #:		Proprietary:	No
Type:	AC	Prod Type:	1708M	Elec. Spec:	17WGX227	CD Diagram:	CD0006
Enclosure	OPEN	Mfg Plant:		Mech Spec:	17E127	Layout:	17LYE127
Frame:	56J	Mounting:	F1	Poles:	02	Created Date:	09-14-2007
Base:	N	Rotation:	R	Insulation:	B	Eff. Date:	10-09-2007
Leads:	3#18	Literature:		Elec. Diagram:		Replaced By:	

Nameplate NP1203								
CAT.NO.	JM225	ENCL			OPEN			
SPEC.	17E127X227	FRAME			56J			
HP	.33							
VOLTS	230							
AMPS	1.6							
RPM	3450							
HZ	60	PH		3	CL		B	
SER.F.	1.75	DES		B	CODE		N	
FL EFF	64	PF		70				
RATING	40C AMB-CONT							
SF AMP	1.9	USABLE AT 208V			1.9			
SER.								
MANUAL	N	AUTO			N	NONE		Y
BLANK								

Parts List			
Product ID	Description	Quantity	List Price
SA162842	SA 17E127X227	1.000	119.00
RA151358	RA 17E127X227	1.000	99.00
WD4100A49	CAPLUG,BP-13/16,PLUG W/RECESSED HEAD	1.000	2.00
11XT0832G06	8-32 X 3/8 TY 23 TAP GRN. X	1.000	3.00
51XW0832A07	8-32 X .44, TAPTITE II, HEX WSHR SLTD SE	4.000	2.00
HW5100A03SP	WAVY WASHER (W1543-017)	1.000	2.00
34EP3401A07	PU ENDPLATE, MACH	1.000	37.00
17AD0001A01	BAFFLE PLATE, MACH. FOR SPL 5.25 DIA. O.	1.000	4.00
51XT0632A06	6-32X3/8 TY23 HXWS SLDSR	4.000	2.00
34FH4500A13	DRIP/FAN COVER, STAMPED W/2 #26 DRILL HO	1.000	25.00
51XW0832A07	8-32 X .44, TAPTITE II, HEX WSHR SLTD SE	2.000	2.00
11XT2520A08	1/4-20 X 1/2 HX WSHR HD SL	2.000	2.00
34CB4501SP	TERMINAL BOX LID, STAMPED X (PLATED)	1.000	20.00
51XW0832A07	8-32 X .44, TAPTITE II, HEX WSHR SLTD SE	2.000	2.00
HW4600B39SP	SEAL 0.550 X .790 X .180 FACE SEALING	1.000	3.00
17EP3200BT06	FR ENDPLATE, MACH W/HUB FOR DRIP COVER &	1.000	17.00
SP1042A01	TERM BOARD, MODEL 17 3 PHASE FOR .75" TH	1.000	6.00
HA3100A13	THRUBOLT 10-32 X 7.750	4.000	2.00
LB1125A01SP	STOCK MTR CARTON LABEL LASER PRINTER	1.000	3.00
LC0006	CONNECTION LABEL	1.000	3.00
LB5040	INSTRUCTION TAG, AC & DC	1.000	2.00
NP1203	NP LABEL (FOR COMMERCIAL MOTOR)	1.000	
34PA1002	PACKING GROUP, BALDOR	1.000	13.00
PK3082	STYROFOAB CRADLE	1.000	2.00

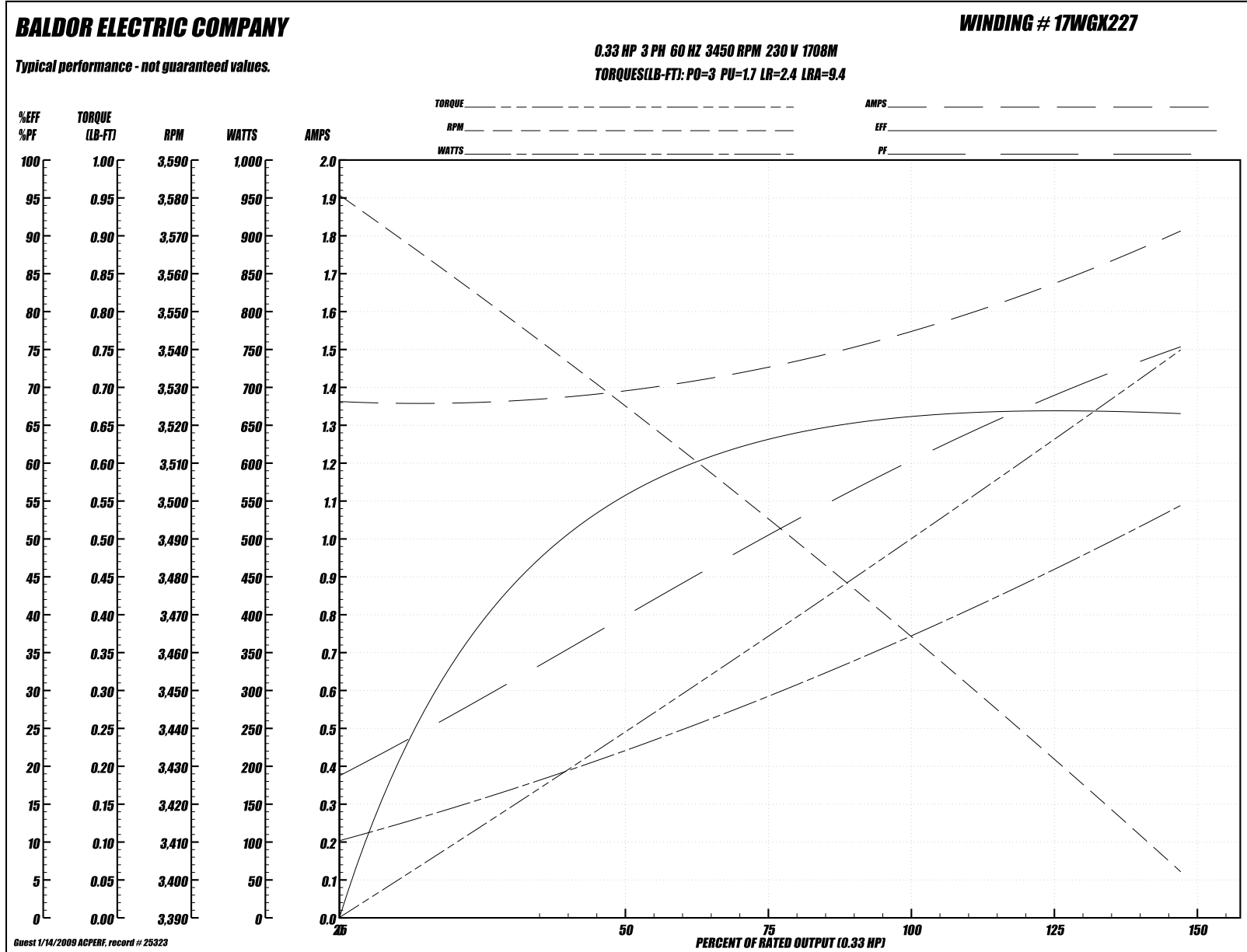
Performance Data at 230V, 60Hz, 0.33HP (Typical performance - Not guaranteed values)
General Characteristics

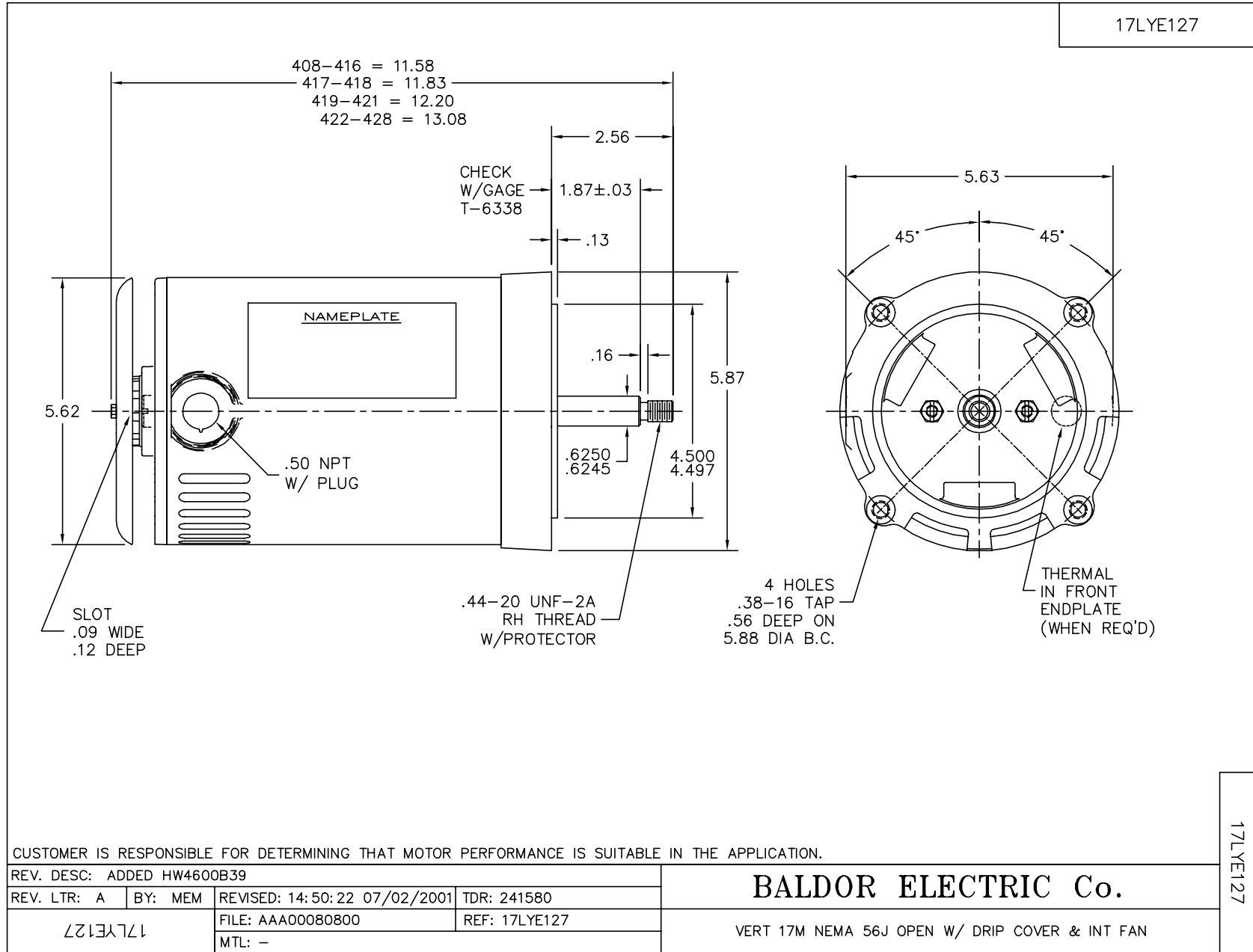
Full Load Torque:	0.5 LB-FT	Start Configuration:	DOL
No-Load Current:	1.36 Amps	Break-Down Torque:	3.0 LB-FT
Line-line Res. @ 25°C.:	11.0 Ohms A Ph / 0.0 Ohms B Ph	Pull-Up Torque:	1.7 LB-FT
Temp. Rise @ Rated Load:	25°C	Locked-Rotor Torque:	2.4 LB-FT
Temp. Rise @ S.F. Load:	35°C	Starting Current:	9.4 Amps

Load Characteristics

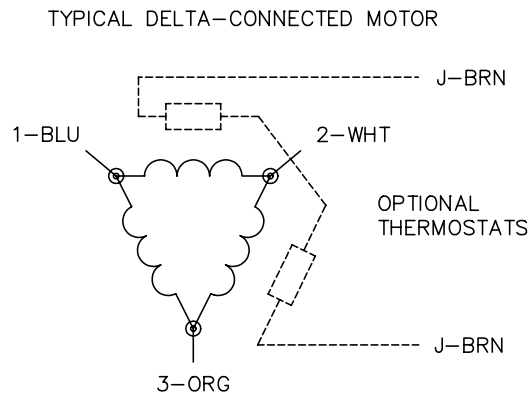
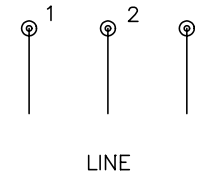
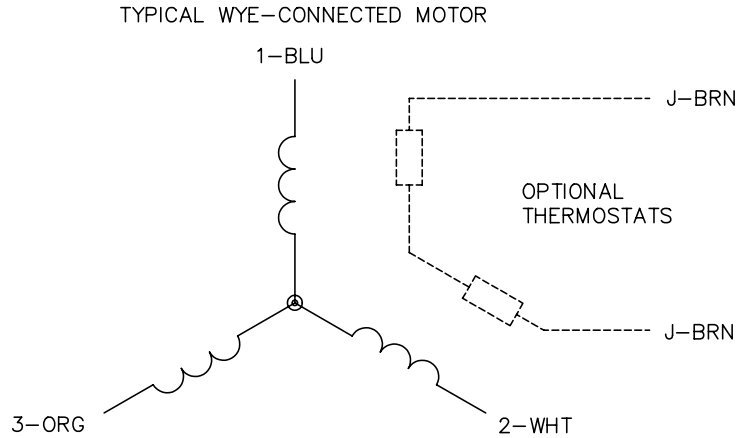
% of Rated Load:	25	50	75	100	125	150	S.F.
Power Factor:	35.0	47.0	60.0	69.0	75.0	80.0	87.0
Efficiency:	42.7	55.7	62.8	65.8	66.8	66.8	68.8
Speed:	3547.0	3522.0	3496.0	3467.0	3436.0	3399.0	3374.0
Line Amperes:	1.36	1.4	1.46	1.54	1.66	1.82	1.9

Performance Graph at 230V, 60Hz, 0.33HP (Typical performance - Not guaranteed values)





CD0006



NOTES:

1. THREE LEAD MOTOR MAY BE EITHER WYE CONNECTED OR DELTA CONNECTED.
2. INTERCHANGE ANY TWO LINE LEADS TO REVERSE ROTATION.
3. OPTIONAL THERMOSTATS ARE PROVIDED WHEN SPECIFIED.
4. ACTUAL NUMBER OF INTERNAL PARALLEL CIRCUITS MAY VARY.
5. LEAD COLORS ARE OPTIONAL. LEADS MUST BE NUMBERED AS SHOWN.

REV. DESC: REVISE TO SHOW OPTIONAL COLORS			
REV. LTR: D	BY: JLP	REVISED: 01/21/99 4:02	TDR: 0171435
9000D		FILE: AAA00005141	MDL: -
		MTL: -	

BALDOR ELECTRIC Co.

3PH, SV, 3 LEADS, WYE OR DELTA CONNECTED

CD0006