



# **BALDOR® • *RELIANCE***

## **Product Information Packet**

### **JM3104**

**.33HP,1725RPM,3PH,60HZ,56J,3413M,OPEN,F1**

Product Detail									
Revision:	H	Status:	PRD/A	Change #:		Proprietary:	No		
Type:	AC	Prod Type:	3413M	Elec. Spec:	34WG0884	CD Diagram:	CD0005		
Enclosure	OPEN	Mfg Plant:		Mech Spec:	34F038	Layout:	34LYF038		
Frame:	56J	Mounting:	F1	Poles:	04	Created Date:			
Base:	N	Rotation:	R	Insulation:	B	Eff. Date:	06-05-2007		
Leads:	9#18	Literature:		Elec. Diagram:		Replaced By:			
Nameplate NP1256L									
CAT.NO.	JM3104								
SPEC.	34F038-884								
HP	.33								
VOLTS	230/460								
AMP	1.6/.8								
RPM	1725								
FRAME	56J	HZ			60	PH	3		
SER.F.	1.35	CODE			M	DES	B	CLASS	B
NEMA-NOM-EFF	68	PF			57				
RATING	40C AMB-CONT								
CC				USABLE AT 208V	1.9				
DE	6203	ODE			6203				
ENCL	OPEN	SN							
	SFA 1.8/9								

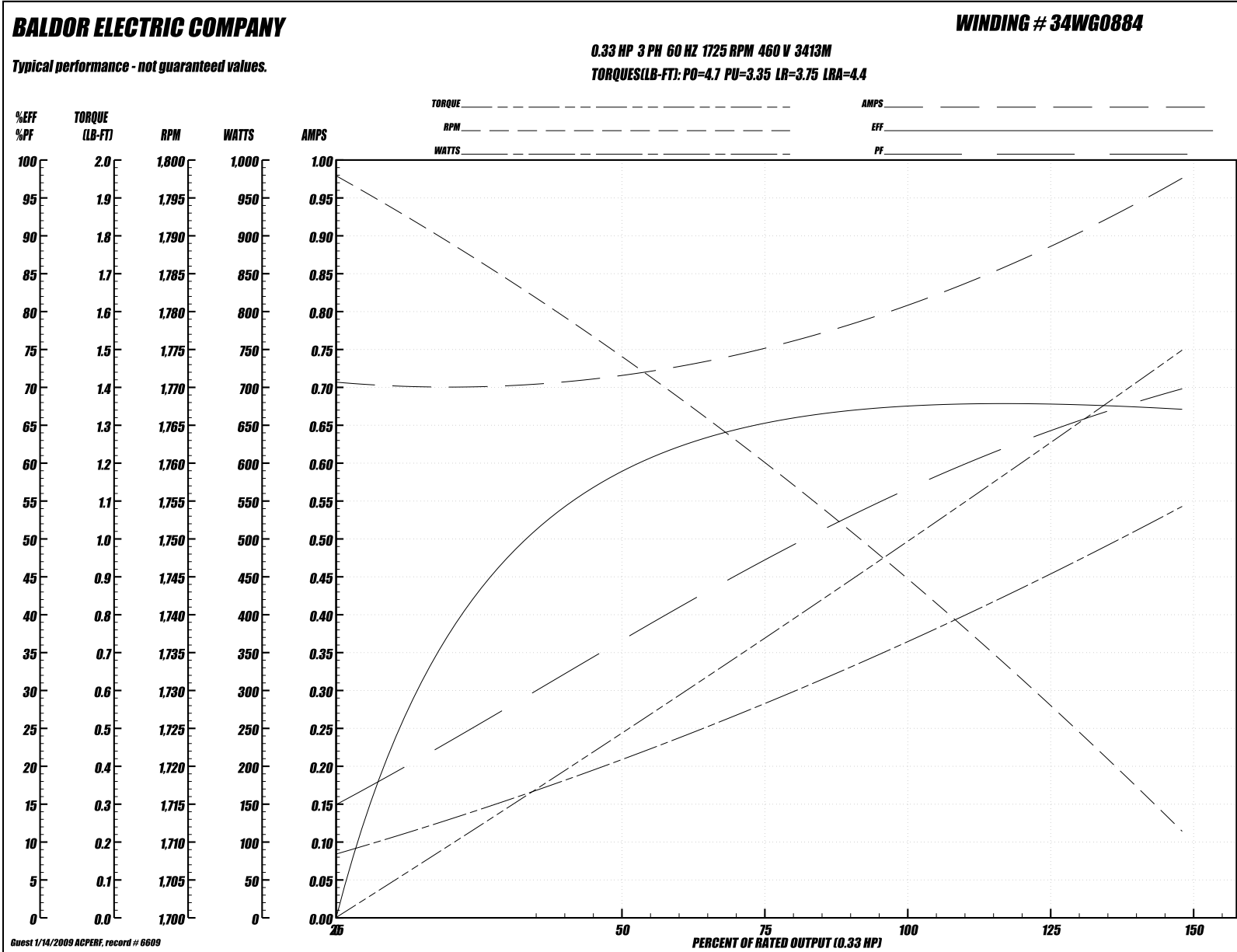
<b>Parts List</b>			
<b>Product ID</b>	<b>Description</b>	<b>Quantity</b>	<b>List Price</b>
SA034777	SA 34F038-884	1.000	161.00
RA030805	RA 34F038-884	1.000	135.00
NS2512A01	INSULATOR, CONDUIT BOX X X	1.000	2.00
34CB3002A	CB CAST W/.88 DIA HOLE	1.000	13.00
51XB1016A07	10-16 X 7/16 HXWSSLD SERTYB	2.000	2.00
11XW1032G06	10-32 X .38, TAPTITE II, HEX WSHR SLTD U	1.000	3.00
34EP3212A03	FR EP 34L FOR DRIP CVR	1.000	23.00
HW5100A03SP	WAVY WASHER (W1543-017)	1.000	2.00
34EP3401A01SP	PU ENDPLATE, MACH	1.000	63.00
34AD2000	BAFFLE PLATE, STAMPED	1.000	2.00
51XT0632A06	6-32X3/8 TY23 HXWS SLDSR	4.000	2.00
51XN1032A20	10-32 X 1 1/4 HX WS SL SR	2.000	2.00
34FH4001A04	DRIP COVER, STAMPED	1.000	23.00
51XW1032A06	10-32 X .38, TAPTITE II, HEX WSHR SLTD S	3.000	3.00
WD4101A09	STIMPSON D3560, .875 DIA. HOLE PLUG	1.000	2.00
34CB4517	CB LID 4 MTG HOLES .22 DIA STAMPED, FOR	1.000	5.00
51XW0832A07	8-32 X .44, TAPTITE II, HEX WSHR SLTD SE	4.000	2.00
RM1010A01	35-968-1 VINYL CLS	1.000	2.00
MG1000G27	PAINT- S9282E CHARCOAL GREY	0.014	4,000.00
10XF0440S02	04-40 X 1/8 TYPE F HEX HD STAINLESS STIC	2.000	2.00
HA3100A12	THRUBOLT 10-32 X 7.375	4.000	2.00
LB5040	INSTRUCTION TAG, AC & DC	1.000	2.00
LB1125C01	STD (STOCK) CARTON LABEL BALDOR WITH FLA	1.000	2.00
LC0005E01	CONN.DIA./WARNING LABEL (LC0005/LB1119)	1.000	2.00

<b>Parts List (continued)</b>			
<b>Product ID</b>	<b>Description</b>	<b>Quantity</b>	<b>List Price</b>
NP1256L	NP STD LASER ENGRAVED, UL CSA CC, W/O TH	1.000	3.00
34PA1002	PACKING GROUP, BALDOR	1.000	13.00

**Performance Data at 460V, 60Hz, 0.33HP (Typical performance - Not guaranteed values)**

General Characteristics							
<b>Full Load Torque:</b>	1.0 LB-FT			<b>Start Configuration:</b>	DOL		
<b>No-Load Current:</b>	0.7 Amps			<b>Break-Down Torque:</b>	4.7 LB-FT		
<b>Line-line Res. @ 25°C.:</b>	49.1 Ohms A Ph / 0.0 Ohms B Ph			<b>Pull-Up Torque:</b>	3.35 LB-FT		
<b>Temp. Rise @ Rated Load:</b>	33°C			<b>Locked-Rotor Torque:</b>	3.75 LB-FT		
<b>Temp. Rise @ S.F. Load:</b>	42°C			<b>Starting Current:</b>	4.4 Amps		
Load Characteristics							
<b>% of Rated Load:</b>	<b>25</b>	<b>50</b>	<b>75</b>	<b>100</b>	<b>125</b>	<b>150</b>	<b>S.F.</b>
<b>Power Factor:</b>	28.0	40.0	50.0	57.0	64.0	69.0	66.0
<b>Efficiency:</b>	44.0	59.0	65.0	68.0	68.0	67.0	68.0
<b>Speed:</b>	1788.0	1770.0	1760.0	1745.0	1730.0	1710.0	1725.0
<b>Line Amperes:</b>	0.7	0.73	0.77	0.8	0.85	1.0	0.9

Performance Graph at 460V, 60Hz, 0.33HP (Typical performance - Not guaranteed values)



**Performance Data at 460V, 60Hz, 0.33HP (Typical performance - Not guaranteed values)**
**General Characteristics**

<b>Full Load Torque:</b>	1.0 LB-FT	<b>Start Configuration:</b>	DOL
<b>No-Load Current:</b>	0.7 Amps	<b>Break-Down Torque:</b>	4.7 LB-FT
<b>Line-line Res. @ 25°C.:</b>	49.1 Ohms A Ph / 0.0 Ohms B Ph	<b>Pull-Up Torque:</b>	3.35 LB-FT
<b>Temp. Rise @ Rated Load:</b>	47°C	<b>Locked-Rotor Torque:</b>	3.75 LB-FT
<b>Temp. Rise @ S.F. Load:</b>	61°C	<b>Starting Current:</b>	4.4 Amps

**Load Characteristics**

<b>% of Rated Load:</b>	<b>25</b>	<b>50</b>	<b>75</b>	<b>100</b>	<b>125</b>	<b>150</b>	<b>S.F.</b>
<b>Power Factor:</b>	28.0	40.0	50.0	57.0	64.0	69.0	66.0
<b>Efficiency:</b>	44.0	59.0	65.0	68.0	68.0	67.0	68.0
<b>Speed:</b>	1788.0	1770.0	1760.0	1745.0	1730.0	1710.0	1725.0
<b>Line Amperes:</b>	0.7	0.73	0.77	0.8	0.85	1.0	0.9

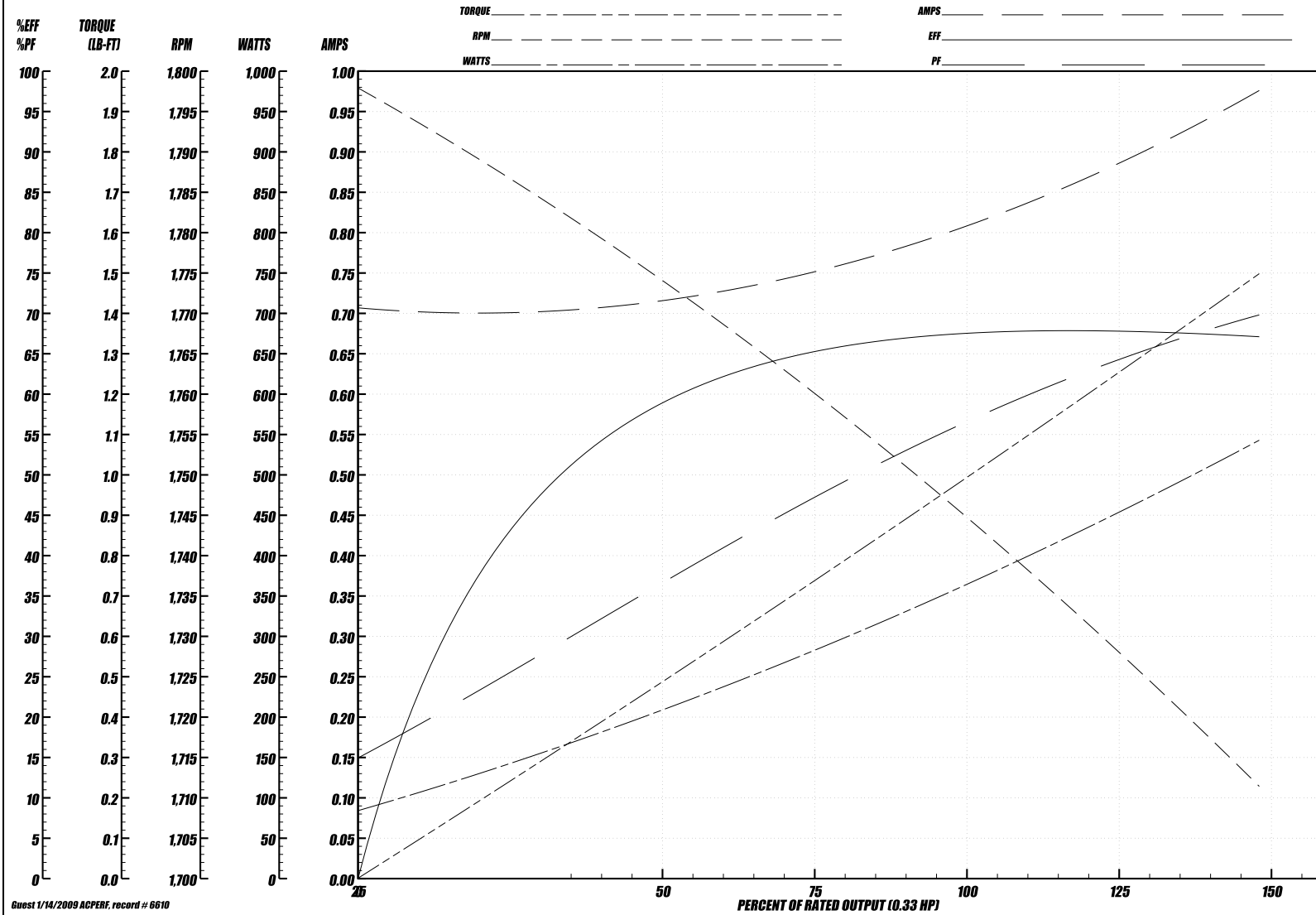
Performance Graph at 460V, 60Hz, 0.33HP (Typical performance - Not guaranteed values)

**BALDOR ELECTRIC COMPANY**

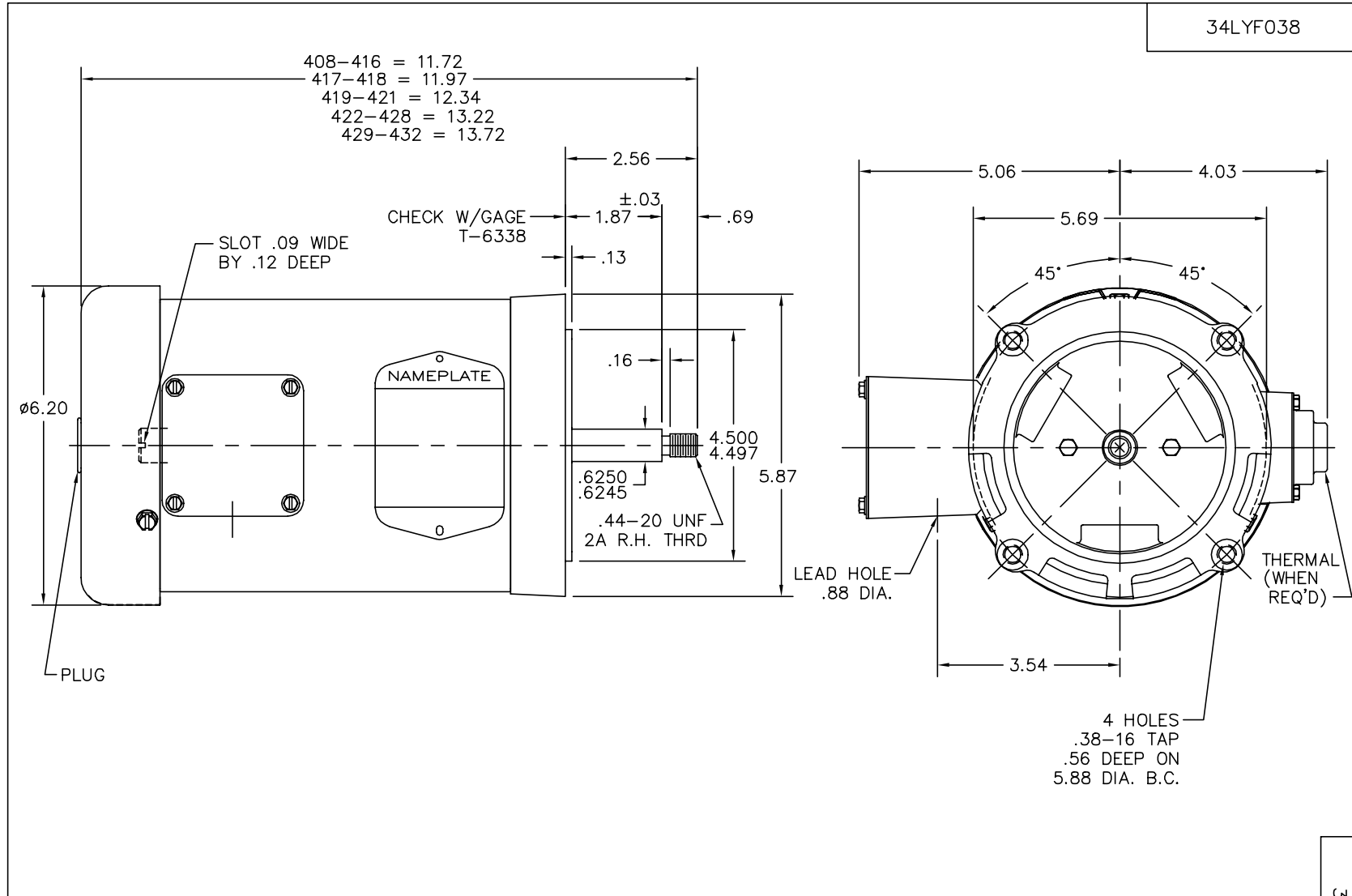
**WINDING # 34WG0884**

Typical performance - not guaranteed values.

0.33 HP 3 PH 60 HZ 1725 RPM 460 V 3413M  
 TORQUES(LB-FT): PO=4.7 PU=3.35 LR=3.75 LRA=4.4



Guest 1/14/2009 ACPERF, record # 6610



CUSTOMER IS RESPONSIBLE FOR DETERMINING THAT MOTOR PERFORMANCE IS SUITABLE IN THE APPLICATION.

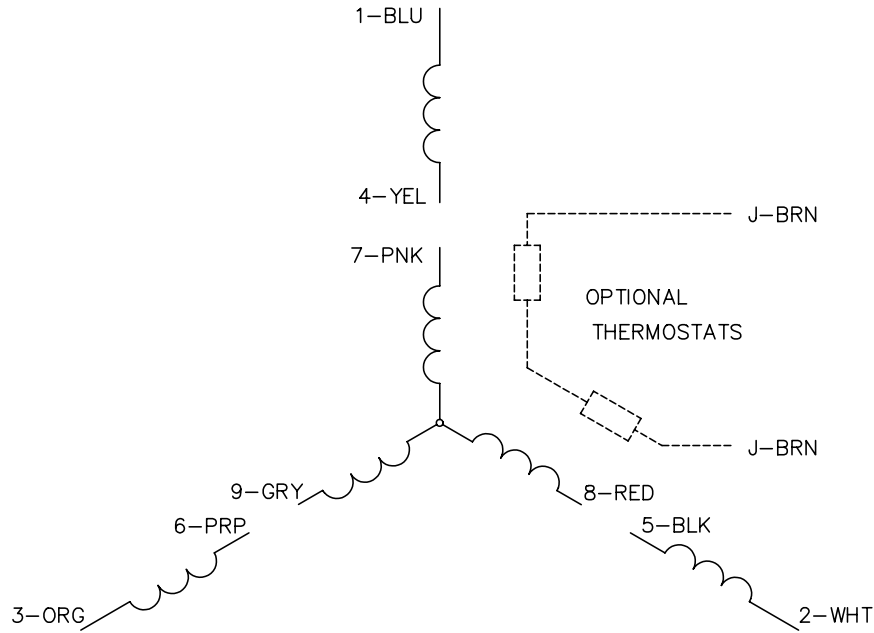
REV. DESC: NEW KBOX & LID			
REV. LTR: H	BY: RT	REVISED: 11:57:23 10/14/2003	TDR: 314971
34LYF038		FILE: AAA00026304	REF: 34LYF038
		MTL: -	

**BALDOR ELECTRIC Co.**

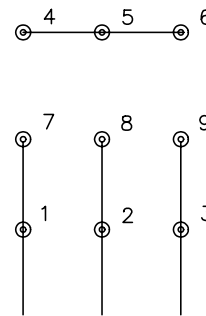
STD VERT 56J OPEN 34M W/DRIP CVR

34LYF038

CD0005

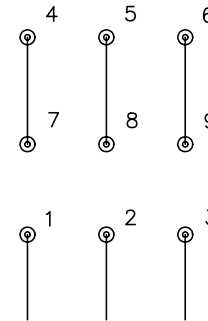


LOW VOLTAGE  
(2Y)



LINE

HIGH VOLTAGE  
(1Y)



LINE

NOTES:

1. INTERCHANGE ANY TWO LINE LEADS TO REVERSE ROTATION.
2. OPTIONAL THERMOSTATS ARE PROVIDED WHEN SPECIFIED.
3. ACTUAL NUMBER OF INTERNAL PARALLEL CIRCUITS MAY BE A MULTIPLE OF THOSE SHOWN ABOVE.
4. LEAD COLORS ARE OPTIONAL. LEADS MUST ALWAYS BE NUMBERED AS SHOWN.

REV. DESC: REVISE TO SHOW OPTIONAL COLORS

REV. LTR: E BY: JLP

REVISED: 01/19/99 10:15

TDR: 0171435

9000D

FILE: AAA00005140

MDL: -

MTL: -

**BALDOR ELECTRIC Co.**

3PH, DV, 9 LEADS

CD0005