



# **BALDOR® • *RELIANCE***

## **Product Information Packet**

### **JM3157**

**2HP,1725RPM,3PH,60HZ,56J,3524M,ODTF,F1**

Product Detail							
Revision:	M	Status:	PRD/A	Change #:		Proprietary:	No
Type:	AC	Prod Type:	3524M	Elec. Spec:	35WG0754	CD Diagram:	CD0005
Enclosure	ODTF	Mfg Plant:		Mech Spec:	35E065	Layout:	35LYE065
Frame:	56J	Mounting:	F1	Poles:	04	Created Date:	
Base:	N	Rotation:	R	Insulation:	B	Eff. Date:	12-05-2008
Leads:	9#18	Literature:		Elec. Diagram:		Replaced By:	

Nameplate NP1256L									
CAT.NO.	JM3157								
SPEC.	35E065-0754								
HP	2								
VOLTS	208-230/460								
AMP	6.8-6.4/3.2								
RPM	1725								
FRAME	56J	HZ	60	PH	3				
SER.F.	1.15	CODE	H	DES	B	CLASS	B		
NEMA-NOM-EFF	78.5	PF	71						
RATING	40C AMB-CONT								
CC				USABLE AT 208V	6.8				
DE	6205	ODE	6203						
ENCL	ODTF	SN							

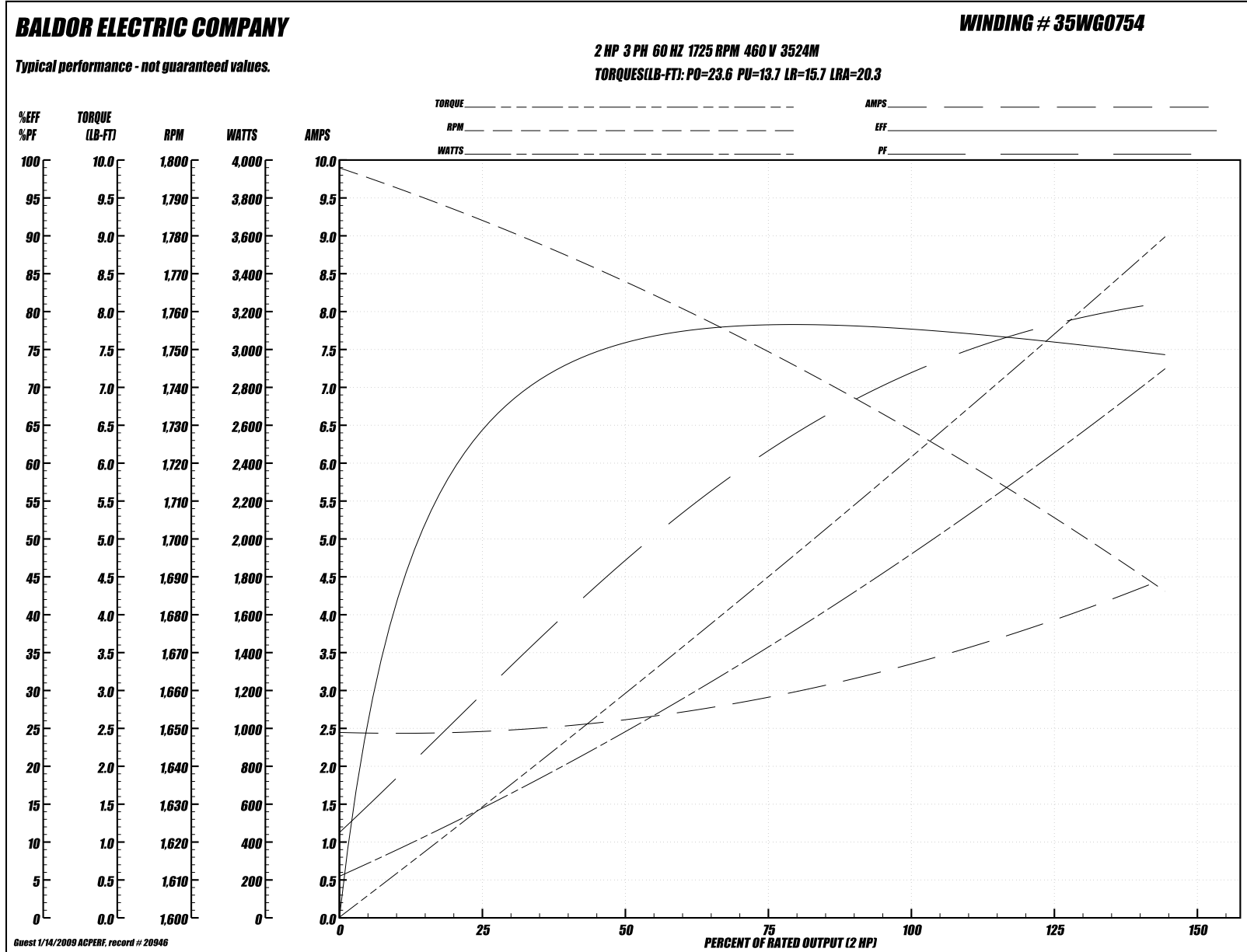
<b>Parts List</b>			
<b>Product ID</b>	<b>Description</b>	<b>Quantity</b>	<b>List Price</b>
SA023759	SA 35E065-0754	1.000	295.00
RA019809	RA 35E065-0754	1.000	246.00
NS2512A01	INSULATOR, CONDUIT BOX X X	1.000	2.00
35CB3007	35 CB CASTING W/.88 DIA. LEAD HOLE	1.000	27.00
51XB1016A07	10-16 X 7/16 HXWSSLD SERTYB	2.000	2.00
11XW1032G06	10-32 X .38, TAPTITE II, HEX WSHR SLTD U	1.000	3.00
35EP3201A04SP	SPL FR EP-OPEN-35L OR M -203 BRG-W/DRIP	1.000	69.00
HW5100A03SP	WAVY WASHER (W1543-017)	1.000	2.00
35EP3400A02	PU ENDPLATE, MACH	1.000	56.00
35AD2000	AIR BAFFLE	1.000	6.00
60XW0632A06	6-32 X 3/8 TORX HEAD SCREW TAPTITE II	4.000	
51XN1032A20	10-32 X 1 1/4 HX WS SL SR	2.000	2.00
35FH4006A02	DRIP COVER STAMPED, VERT., W/ AUTOPHERET	1.000	15.00
51XW1032A06	10-32 X .38, TAPTITE II, HEX WSHR SLTD S	3.000	3.00
WD4100A10	465 NIAGARA PLUG (SO ELEC),FOR 1.093 DIA	1.000	2.00
35CB4521	35 LIPPED CB LID (GALV & PHOSPH)	1.000	2.00
51XW0832A07	8-32 X .44, TAPTITE II, HEX WSHR SLTD SE	4.000	2.00
LB1009	LABEL,ROTATION DIRECTION (ON ROLLS)	1.000	2.00
10XF0440S02	04-40 X 1/8 TYPE F HEX HD STAINLESS STIC	2.000	2.00
MJ1000A02	GREASE, POLYREX EM EXXON	0.050	10.00
35FN3002A05SP	EXTERNAL FAN, PLASTIC, FOR .637 DIA JOUR	1.000	22.00
51XB1214A16	12-14X1.00 HXWSSLD SERTYB	1.000	2.00
MG1000G27	PAINT- S9282E CHARCOAL GREY	0.017	4,000.00
HA3100A15	THRUBOLT 10-32 X 8.375	4.000	2.00

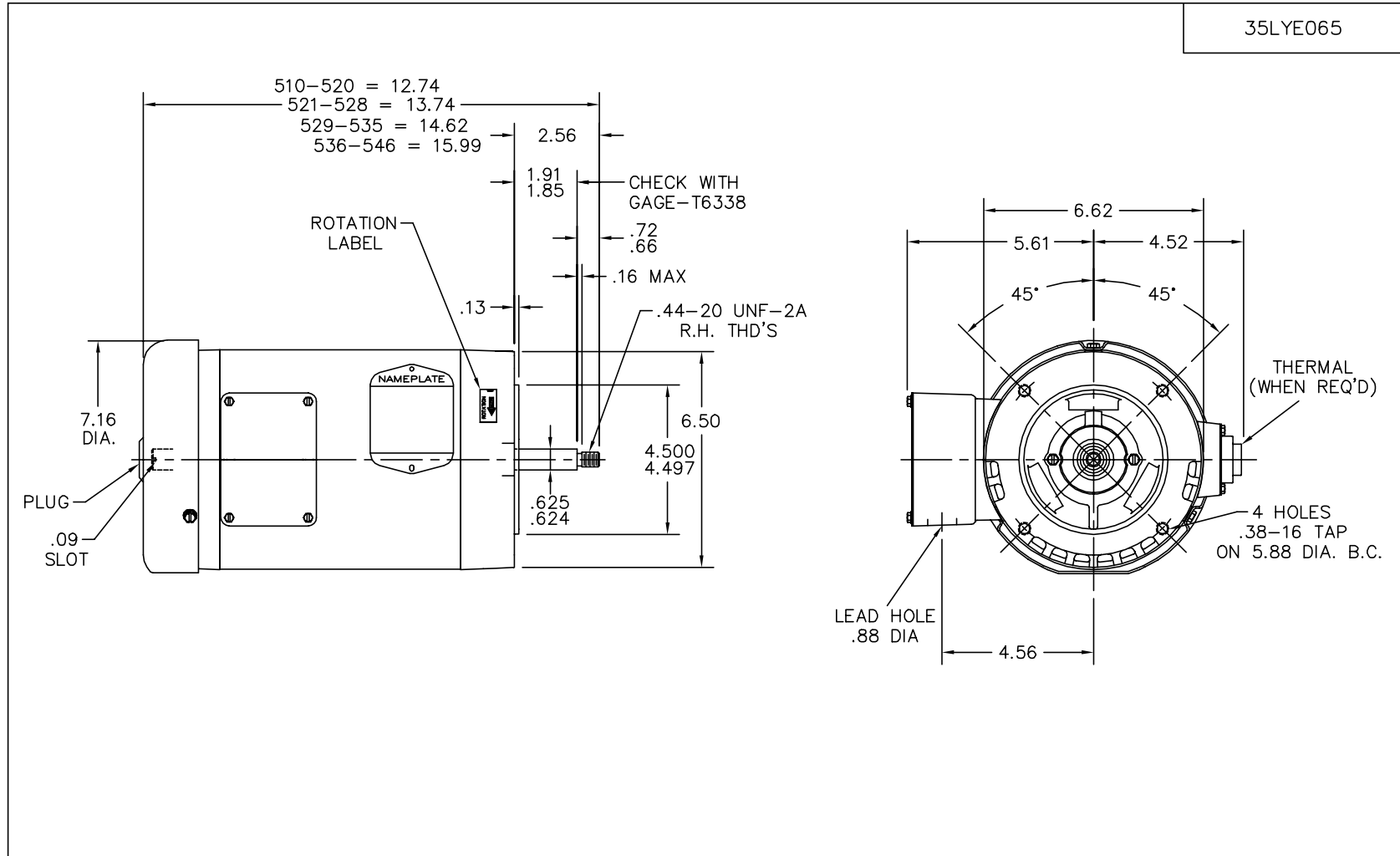
<b>Parts List (continued)</b>			
<b>Product ID</b>	<b>Description</b>	<b>Quantity</b>	<b>List Price</b>
LB1125C01	STD (STOCK) CARTON LABEL BALDOR WITH FLA	1.000	2.00
LC0005E01	CONN.DIA./WARNING LABEL (LC0005/LB1119)	1.000	2.00
NP1256L	NP STD LASER ENGRAVED, UL CSA CC, W/O TH	1.000	3.00
35PA1066	PACKING GROUP COMBINED PRINT	1.000	13.00
PK3082	STYROFOAB CRADLE	1.000	2.00

**Performance Data at 460V, 60Hz, 2.0HP (Typical performance - Not guaranteed values)**

General Characteristics							
<b>Full Load Torque:</b>	6.0 LB-FT			<b>Start Configuration:</b>	DOL		
<b>No-Load Current:</b>	2.4 Amps			<b>Break-Down Torque:</b>	23.6 LB-FT		
<b>Line-line Res. @ 25°C.:</b>	11.2 Ohms A Ph / 0.0 Ohms B Ph			<b>Pull-Up Torque:</b>	13.7 LB-FT		
<b>Temp. Rise @ Rated Load:</b>	66°C			<b>Locked-Rotor Torque:</b>	15.7 LB-FT		
<b>Temp. Rise @ S.F. Load:</b>	79°C			<b>Starting Current:</b>	20.3 Amps		
Load Characteristics							
<b>% of Rated Load:</b>	<b>25</b>	<b>50</b>	<b>75</b>	<b>100</b>	<b>125</b>	<b>150</b>	<b>S.F.</b>
<b>Power Factor:</b>	31.0	49.0	62.0	71.0	77.0	81.0	75.0
<b>Efficiency:</b>	64.0	75.0	78.0	78.5	76.5	74.0	77.5
<b>Speed:</b>	1785.0	1765.0	1750.0	1730.0	1710.0	1685.0	1715.0
<b>Line Amperes:</b>	2.5	2.7	2.9	3.2	3.9	4.5	3.6

Performance Graph at 460V, 60Hz, 2.0HP (Typical performance - Not guaranteed values)





CUSTOMER IS RESPONSIBLE FOR DETERMINING THAT MOTOR PERFORMANCE IS SUITABLE IN THE APPLICATION.

REV. DESC: 35FH4006A02 WAS 35FH4000A05			
REV. LTR: K	BY: KCT	REVISED: 07:37:07 06/29/2004	TDR: 332529
35LYE065		FILE: AAA00008448	REF: 35LYE065
		MTL: -	

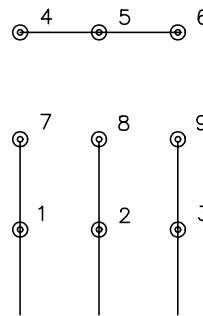
<b>BALDOR ELECTRIC Co.</b>
STD VERT 56J OPEN 35M

35LYE065

CD0005

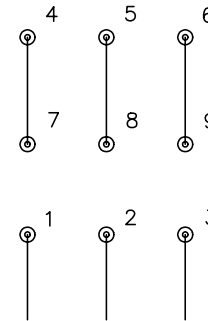


LOW VOLTAGE  
(2Y)



LINE

HIGH VOLTAGE  
(1Y)



LINE

NOTES:

1. INTERCHANGE ANY TWO LINE LEADS TO REVERSE ROTATION.
2. OPTIONAL THERMOSTATS ARE PROVIDED WHEN SPECIFIED.
3. ACTUAL NUMBER OF INTERNAL PARALLEL CIRCUITS MAY BE A MULTIPLE OF THOSE SHOWN ABOVE.
4. LEAD COLORS ARE OPTIONAL. LEADS MUST ALWAYS BE NUMBERED AS SHOWN.

REV. DESC: REVISE TO SHOW OPTIONAL COLORS			
REV. LTR: E	BY: JLP	REVISED: 01/19/99 10:15	TDR: 0171435
900000		FILE: AAA00005140	MDL: -
		MTL: -	

**BALDOR ELECTRIC Co.**

3PH, DV, 9 LEADS

CD0005