



BALDOR® • *RELIANCE*

Product Information Packet

JM445

.75HP,1725RPM,3PH,60HZ,56J,1720M,OPEN,F1

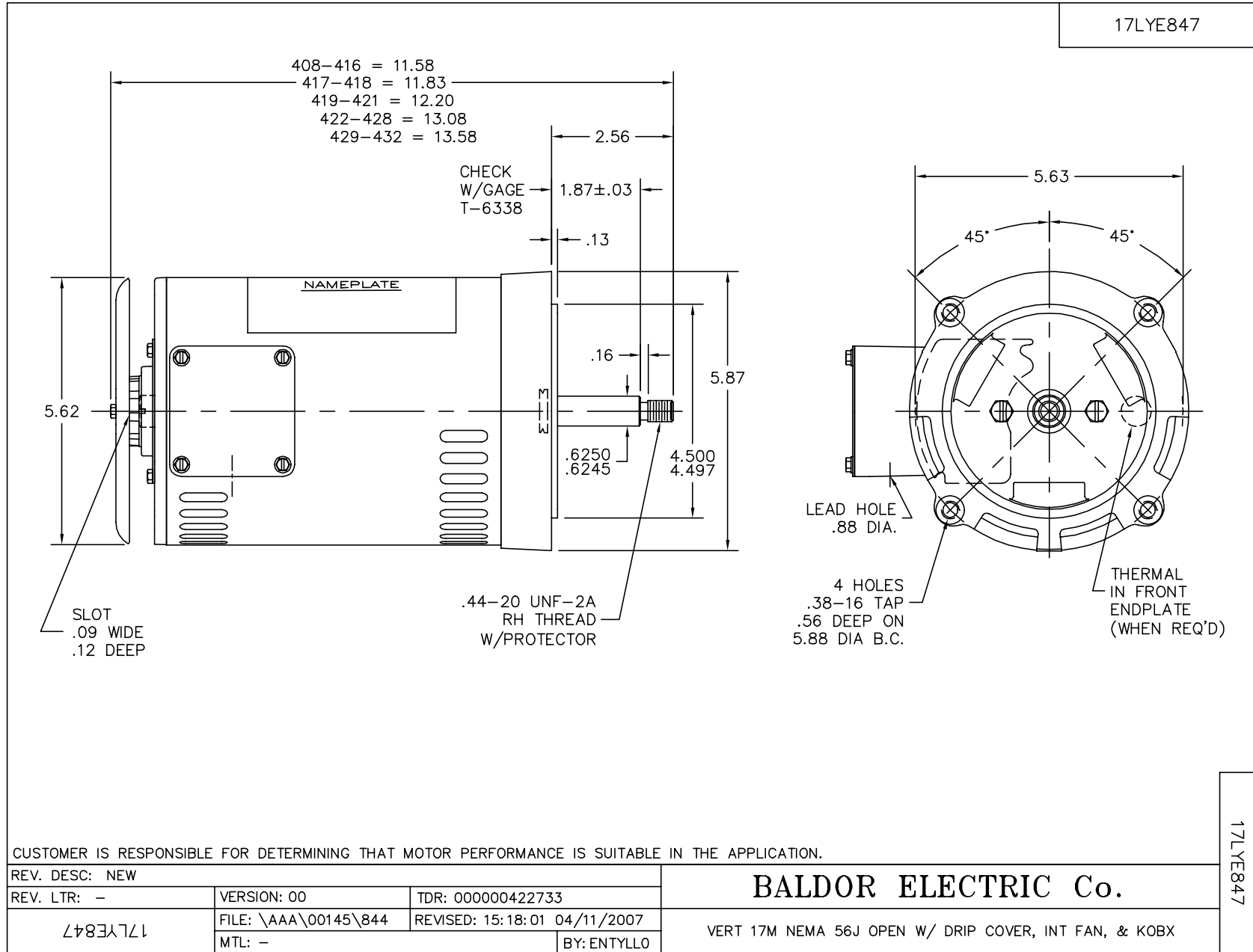
Product Detail							
Revision:	D	Status:	PRD/A	Change #:		Proprietary:	No
Type:	AC	Prod Type:	1720M	Elec. Spec:	17WG165	CD Diagram:	CD0006
Enclosure	OPEN	Mfg Plant:		Mech Spec:	17E847	Layout:	17LYE847
Frame:	56J	Mounting:	F1	Poles:	04	Created Date:	04-12-2007
Base:	N	Rotation:	R	Insulation:	B	Eff. Date:	02-12-2008
Leads:	3#16	Literature:		Elec. Diagram:		Replaced By:	

Nameplate NP1203

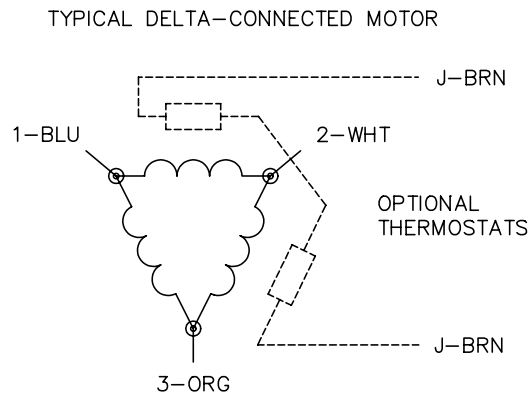
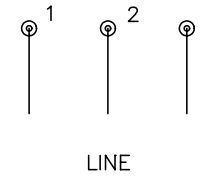
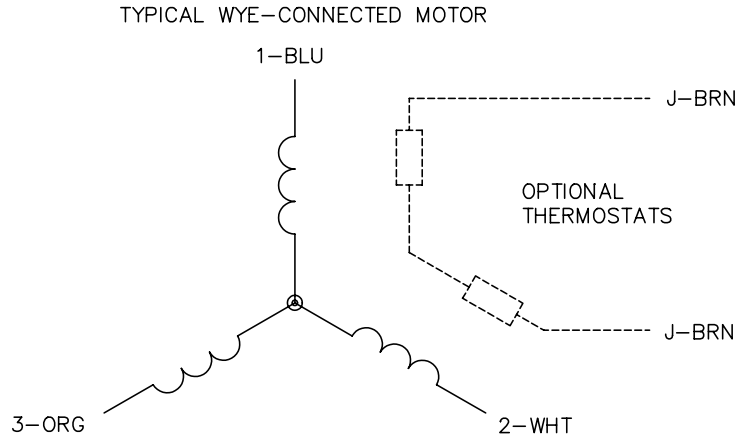
CAT.NO.	JM445	ENCL	OPEN
SPEC.	17E847X165	FRAME	56J
HP	.75		
VOLTS	208-230		
AMPS	2.7-2.8		
RPM	1725		
HZ	60	PH	3
SER.F.	1.25	DES	B
FL EFF	74	PF	67
RATING	40C AMB-CONT		
SF AMP	3.2	USABLE AT 208V	
SER.			
MANUAL	N	AUTO	N
BLANK			NONE

Parts List			
Product ID	Description	Quantity	List Price
SA156131	SA 17E847X165	1.000	172.00
RA144751	RA 17E847X165	1.000	144.00
34CB3000SP	CONDUIT BOX, CAST	1.000	14.00
51XB1016A07	10-16 X 7/16 HXWSSLD SERTYB	2.000	2.00
11XT0832G06	8-32 X 3/8 TY 23 TAP GRN. X	1.000	3.00
51XW0832A07	8-32 X .44, TAPTITE II, HEX WSHR SLTD SE	4.000	2.00
HW5100A03SP	WAVY WASHER (W1543-017)	1.000	2.00
34EP3401A07	PU ENDPLATE, MACH	1.000	37.00
11XT2520A08	1/4-20 X 1/2 HX WSHR HD SL	2.000	2.00
17AD0001A01	BAFFLE PLATE, MACH. FOR SPL 5.25 DIA. O.	1.000	4.00
51XT0632A06	6-32X3/8 TY23 HXWS SLDSR	4.000	2.00
34FH4500A13	DRIP/FAN COVER, STAMPED W/2 #26 DRILL HO	1.000	25.00
51XW0832A07	8-32 X .44, TAPTITE II, HEX WSHR SLTD SE	2.000	2.00
34CB4500SP	CONDUIT BOX LID, STAMPED	1.000	5.00
51XW0832A07	8-32 X .44, TAPTITE II, HEX WSHR SLTD SE	4.000	2.00
34CB4501SP	TERMINAL BOX LID, STAMPED X (PLATED)	1.000	20.00
51XW0832A07	8-32 X .44, TAPTITE II, HEX WSHR SLTD SE	2.000	2.00
HW4600B39SP	SEAL 0.550 X .790 X .180 FACE SEALING	1.000	3.00
17EP3200BT06	FR ENDPLATE, MACH W/HUB FOR DRIP COVER &	1.000	17.00
SP1042A01	TERM BOARD, MODEL 17 3 PHASE FOR .75" TH	1.000	6.00
HA3100A15	THRUBOLT 10-32 X 8.375	4.000	2.00
LB1172A01	CUSTOM MTR CARTON LABEL LASER PRINTER	1.000	2.00
LC0005	CONN.DIA.,TYPE M,9-LD,DUAL VOLTAGE,REVER	1.000	2.00
LB5040	INSTRUCTION TAG, AC & DC	1.000	2.00

Parts List (continued)			
Product ID	Description	Quantity	List Price
MG5017	VARNISH - PDG 2500	0.050	
NP1203	NP LABEL (FOR COMMERCIAL MOTOR)	1.000	
34PA1002	PACKING GROUP, BALDOR	1.000	13.00
PK3082	STYROFOAB CRADLE	1.000	2.00



CD0006



NOTES:

1. THREE LEAD MOTOR MAY BE EITHER WYE CONNECTED OR DELTA CONNECTED.
2. INTERCHANGE ANY TWO LINE LEADS TO REVERSE ROTATION.
3. OPTIONAL THERMOSTATS ARE PROVIDED WHEN SPECIFIED.
4. ACTUAL NUMBER OF INTERNAL PARALLEL CIRCUITS MAY VARY.
5. LEAD COLORS ARE OPTIONAL. LEADS MUST BE NUMBERED AS SHOWN.

REV. DESC: REVISE TO SHOW OPTIONAL COLORS			
REV. LTR: D	BY: JLP	REVISED: 01/21/99 4:02	TDR: 0171435
9000D		FILE: AAA00005141	MDL: -
		MTL: -	

BALDOR ELECTRIC Co.

3PH, SV, 3 LEADS, WYE OR DELTA CONNECTED

CD0006