



BALDOR® • *RELIANCE*

Product Information Packet

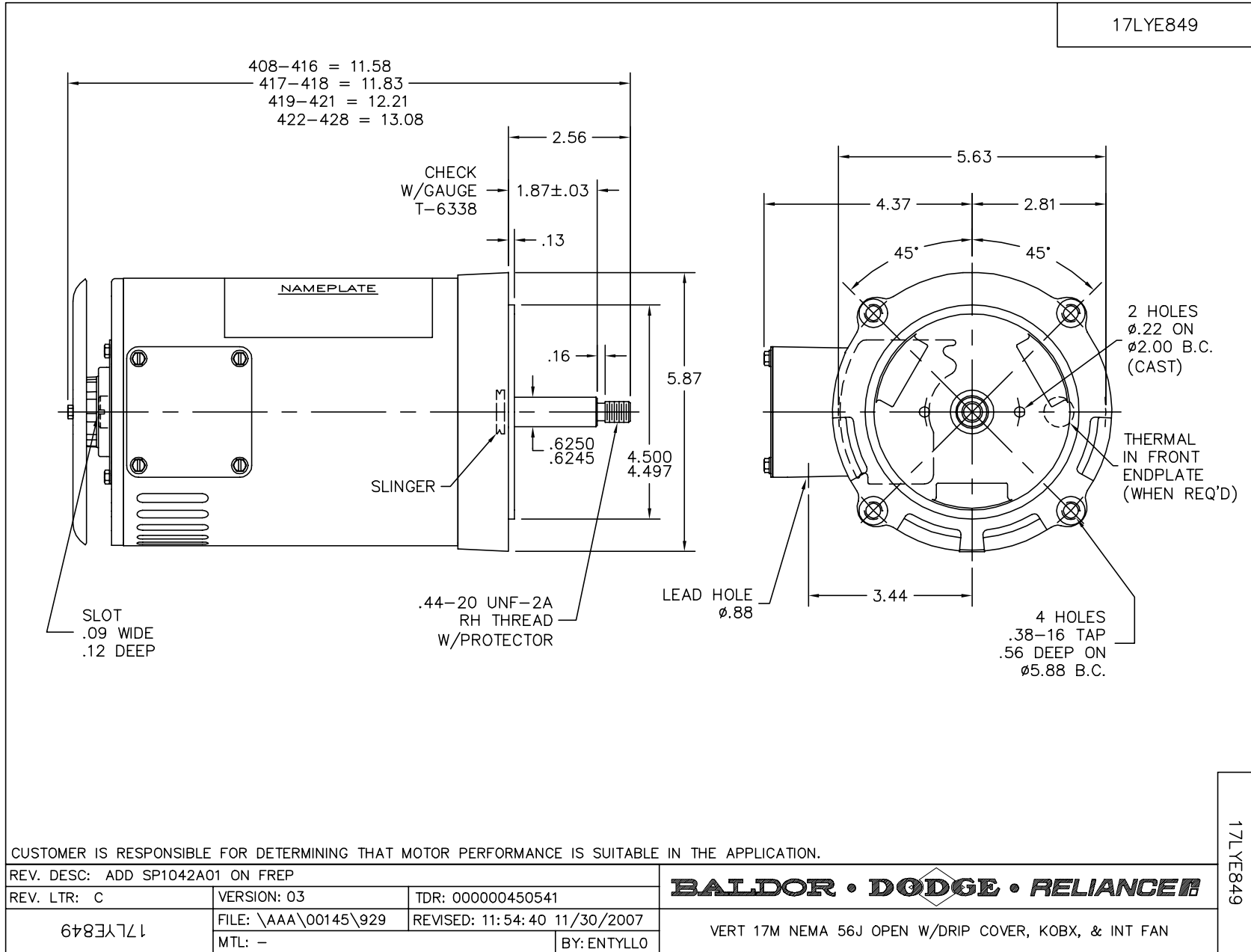
JM625

1.5HP,3450RPM,3PH,60HZ,56J,1724M,OPEN,F1

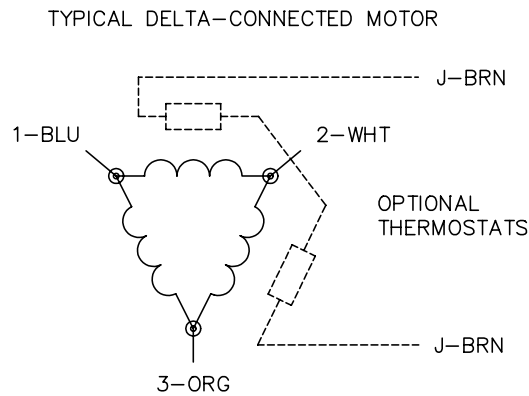
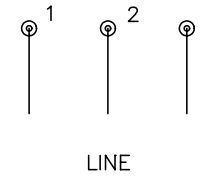
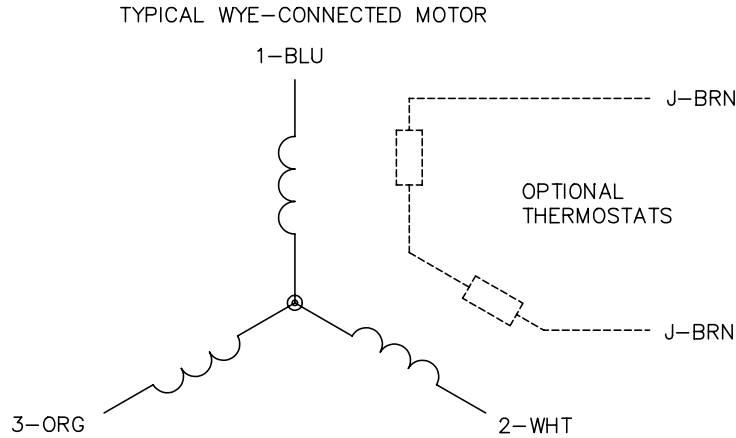
Product Detail									
Revision:	G	Status:	PRD/A	Change #:		Proprietary:	No		
Type:	AC	Prod Type:	1724M	Elec. Spec:	17WGX171	CD Diagram:	CD0006		
Enclosure	OPEN	Mfg Plant:		Mech Spec:	17E849	Layout:	17LYE849		
Frame:	56J	Mounting:	F1	Poles:	02	Created Date:	04-12-2007		
Base:	N	Rotation:	R	Insulation:	B	Eff. Date:	12-03-2007		
Leads:	3#18	Literature:		Elec. Diagram:		Replaced By:			
Nameplate NP1203									
CAT.NO.	JM625		ENCL			OPEN			
SPEC.	17E849X171		FRAME			56J			
HP	1.5								
VOLTS	230								
AMPS	4.5								
RPM	3450								
HZ	60		PH			3	CL		B
SER.F.	1.30		DES			B	CODE		M
FL EFF	78.5		PF			82			
RATING	40C AMB-CONT								
SF AMP	5.5		USABLE AT 208V			5.6			
SER.									
MANUAL	N		AUTO			N	NONE		Y
BLANK									

Parts List			
Product ID	Description	Quantity	List Price
SA156060	SA 17E849X171	1.000	166.00
RA144680	RA 17E849X171	1.000	138.00
34CB3000SP	CONDUIT BOX, CAST	1.000	14.00
51XB1016A07	10-16 X 7/16 HXWSSLD SERTYB	2.000	2.00
11XT1032G06	10-32X3/8 HX WSHR HD,SLTDTYPE 23,GREEN	1.000	1.00
11XT0832G06	8-32 X 3/8 TY 23 TAP GRN. X	1.000	3.00
HW5100A03SP	WAVY WASHER (W1543-017)	1.000	2.00
34EP3401A07	PU ENDPLATE, MACH	1.000	37.00
17AD0001A01	BAFFLE PLATE, MACH. FOR SPL 5.25 DIA. O.	1.000	4.00
51XT0632A06	6-32X3/8 TY23 HXWS SLDSR	4.000	2.00
34FH4500A13	DRIP/FAN COVER, STAMPED W/2 #26 DRILL HO	1.000	25.00
51XW0832A07	8-32 X .44, TAPTITE II, HEX WSHR SLTD SE	2.000	2.00
34CB4500SP	CONDUIT BOX LID, STAMPED	1.000	5.00
51XW0832A07	8-32 X .44, TAPTITE II, HEX WSHR SLTD SE	4.000	2.00
34CB4501SP	TERMINAL BOX LID, STAMPED X (PLATED)	1.000	20.00
51XW0832A07	8-32 X .44, TAPTITE II, HEX WSHR SLTD SE	2.000	2.00
HW4600B39SP	SEAL 0.550 X .790 X .180 FACE SEALING	1.000	3.00
17EP3200BT06	FR ENDPLATE, MACH W/HUB FOR DRIP COVER &	1.000	17.00
SP1042A01	TERM BOARD, MODEL 17 3 PHASE FOR .75" TH	1.000	6.00
51XW0832A07	8-32 X .44, TAPTITE II, HEX WSHR SLTD SE	4.000	2.00
HA3100A77	THRUBOLT 10-32 X 9.187	4.000	2.00
LB1171	LABEL CARTON 6X6 ON LINE BLANK ROLLS	1.000	2.00
LC0006	CONNECTION LABEL	1.000	3.00
LB5040	INSTRUCTION TAG, AC & DC	1.000	2.00

Parts List (continued)			
Product ID	Description	Quantity	List Price
NP1203	NP LABEL (FOR COMMERCIAL MOTOR)	1.000	
PA1000	PACKING GROUP 3500 SHORT	1.000	8.00
PK3082	STYROFOAB CRADLE	1.000	2.00



CD0006



NOTES:

1. THREE LEAD MOTOR MAY BE EITHER WYE CONNECTED OR DELTA CONNECTED.
2. INTERCHANGE ANY TWO LINE LEADS TO REVERSE ROTATION.
3. OPTIONAL THERMOSTATS ARE PROVIDED WHEN SPECIFIED.
4. ACTUAL NUMBER OF INTERNAL PARALLEL CIRCUITS MAY VARY.
5. LEAD COLORS ARE OPTIONAL. LEADS MUST BE NUMBERED AS SHOWN.

REV. DESC: REVISE TO SHOW OPTIONAL COLORS			
REV. LTR: D	BY: JLP	REVISED: 01/21/99 4:02	TDR: 0171435
9000D		FILE: AAA00005141	MDL: -
		MTL: -	

BALDOR ELECTRIC Co.

3PH, SV, 3 LEADS, WYE OR DELTA CONNECTED

CD0006