



# **BALDOR® • *RELIANCE***

## **Product Information Packet**

### **JPM3559T**

**3HP,3450RPM,3PH,60HZ,145JP,3528M,TEFC,F1**

Product Detail							
Revision:	H	Status:	PRD/A	Change #:		Proprietary:	No
Type:	AC	Prod Type:	3528M	Elec. Spec:	35WGT123	CD Diagram:	CD0005
Enclosure	TEFC	Mfg Plant:		Mech Spec:	35T888	Layout:	35LYT888
Frame:	145JP	Mounting:	F1	Poles:	02	Created Date:	06-22-2007
Base:	RG	Rotation:	R	Insulation:	F	Eff. Date:	12-08-2008
Leads:	9#18	Literature:		Elec. Diagram:		Replaced By:	

## Nameplate NP1256L

CAT.NO.	JPM3559T						
SPEC.	35T888T123G1						
HP	3						
VOLTS	208-230/460						
AMP	8.1-7.6/3.8						
RPM	3450						
FRAME	145JP	HZ	60	PH	3		
SER.F.	1.15	CODE	K	DES	B	CLASS	F
NEMA-NOM-EFF	82.5	PF	89				
RATING	40C AMB-CONT						
CC		USABLE AT 208V	8.1				
DE	6206	ODE	6203				
ENCL	TEFC	SN					

<b>Parts List</b>			
<b>Product ID</b>	<b>Description</b>	<b>Quantity</b>	<b>List Price</b>
SA111024	SA 35T888T123G1	1.000	370.00
RA102403	RA 35T888T123G1	1.000	308.00
NS2512A01	INSULATOR, CONDUIT BOX X X	1.000	2.00
35CB3007	35 CB CASTING W/.88 DIA. LEAD HOLE	1.000	27.00
36GS1000SP	GASKET-CONDUIT BOX, .06 THICK #SV-330 LE	1.000	5.00
51XB1016A07	10-16 X 7/16 HXWSSLD SERTYB	2.000	2.00
11XW1032G06	10-32 X .38, TAPTITE II, HEX WSHR SLTD U	1.000	3.00
35EP3100M07	FREP TEFC 203BRG,GRSR,RLF(RAISED FH PADS	1.000	36.00
HW5100A03SP	WAVY WASHER (W1543-017)	1.000	2.00
35EP3401T05	FACE ENCL 206 BRG W/GRS, RELIEF & TGHSLV	1.000	42.00
51XN1032A20	10-32 X 1 1/4 HX WS SL SR	2.000	2.00
51XB1214A16	12-14X1.00 HXWSSLD SERTYB	1.000	2.00
35FH4005A86	IEC FH W/GRSR, NO DIMPLES W/AUTOPHERETIC	1.000	10.00
51XW1032A06	10-32 X .38, TAPTITE II, HEX WSHR SLTD S	3.000	3.00
35GS1030	35 GS FOR CB LID - LEXIDE	1.000	2.00
51XW0832A07	8-32 X .44, TAPTITE II, HEX WSHR SLTD SE	4.000	2.00
HA1005A02SP	SLINGER--06 BEARING, 1.14 I.D., 2.00 O.D	1.000	3.00
HW2501D13SP	KEY, 3/16 SQ X 1.375	1.000	2.00
HA7000A01	KEY RETAINER 7/8" DIA SHAFT	1.000	2.00
10XF0440S02	04-40 X 1/8 TYPE F HEX HD STAINLESS STIC	2.000	2.00
HW4500A17	317400 ALEMITE GREASE RELIEF	1.000	4.00
HW4500A01	1641B(ALEMITE)400 UNIV, GREASE FITT	1.000	2.00
HW4500A17	317400 ALEMITE GREASE RELIEF	1.000	4.00
HW4500A01	1641B(ALEMITE)400 UNIV, GREASE FITT	1.000	2.00

<b>Parts List (continued)</b>			
<b>Product ID</b>	<b>Description</b>	<b>Quantity</b>	<b>List Price</b>
35CB4521	35 LIPPED CB LID (GALV & PHOSPH)	1.000	2.00
MJ1000A02	GREASE, POLYREX EM EXXON	0.050	10.00
35FN3002A05SP	EXTERNAL FAN, PLASTIC, FOR .637 DIA JOUR	1.000	22.00
MG1000G27	PAINT- S9282E CHARCOAL GREY	0.017	4,000.00
HA3100A15	THRUBOLT 10-32 X 8.375	4.000	2.00
LB1125C01	STD (STOCK) CARTON LABEL BALDOR WITH FLA	1.000	2.00
LC0005E01	CONN.DIA./WARNING LABEL (LC0005/LB1119)	1.000	2.00
NP1256L	NP STD LASER ENGRAVED, UL CSA CC, W/O TH	1.000	3.00
G7PA1000	PACKAGING GROUP / BALDOR	1.000	21.00

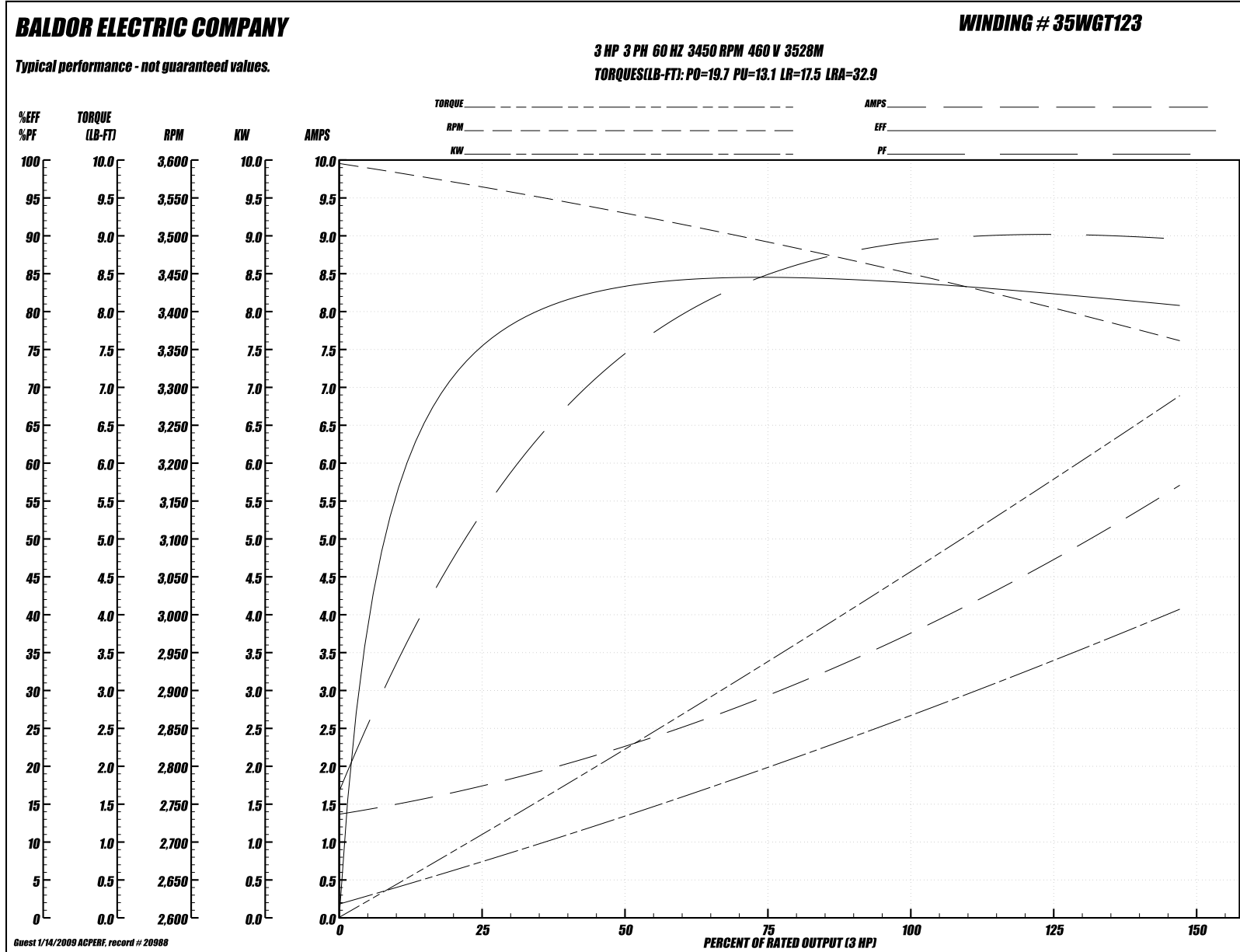
**Performance Data at 460V, 60Hz, 3.0HP (Typical performance - Not guaranteed values)**
**General Characteristics**

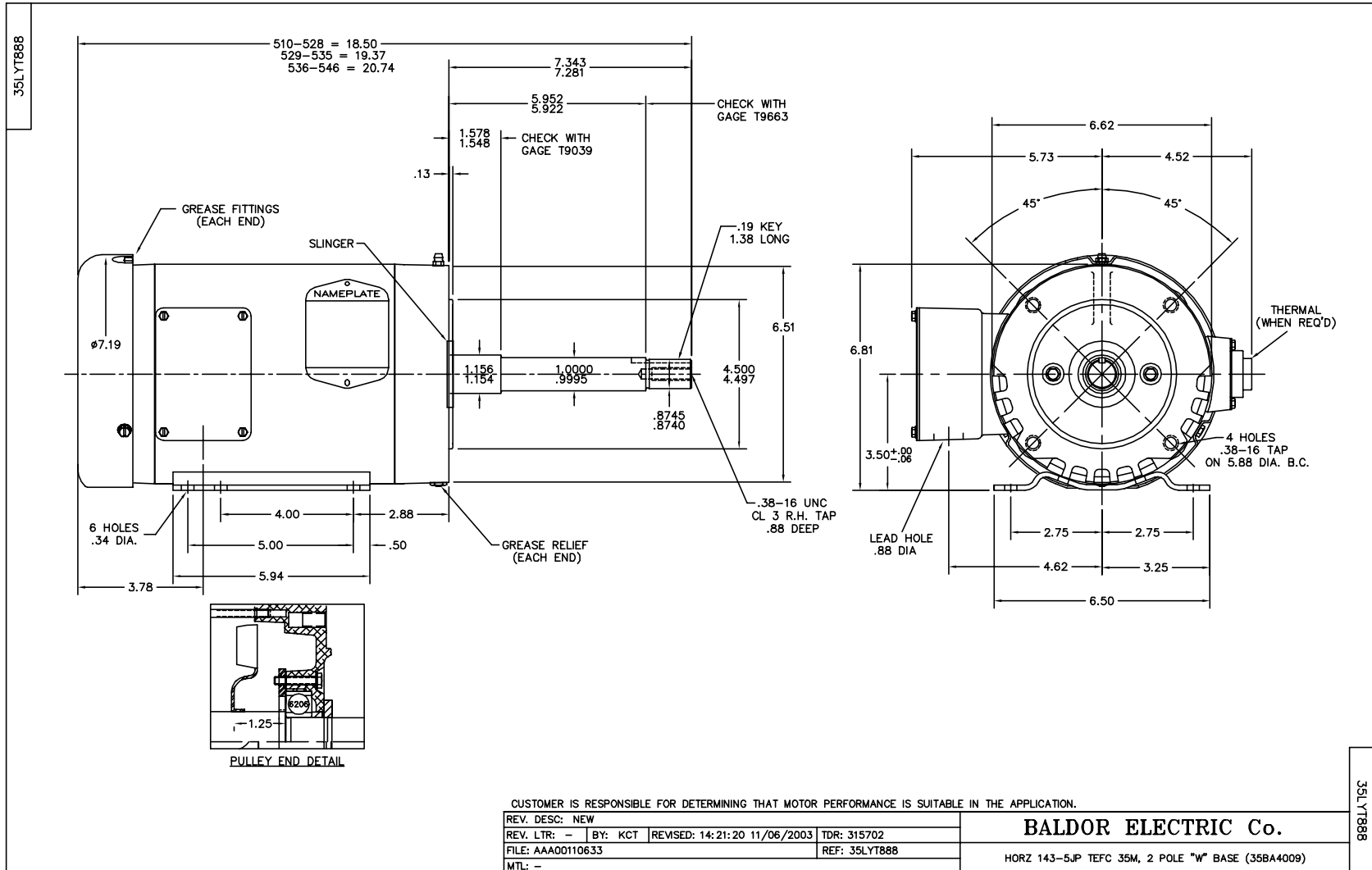
<b>Full Load Torque:</b>	4.6 LB-FT	<b>Start Configuration:</b>	DOL
<b>No-Load Current:</b>	1.4 Amps	<b>Break-Down Torque:</b>	19.7 LB-FT
<b>Line-line Res. @ 25°C.:</b>	5.1 Ohms A Ph / 0.0 Ohms B Ph	<b>Pull-Up Torque:</b>	13.1 LB-FT
<b>Temp. Rise @ Rated Load:</b>	68°C	<b>Locked-Rotor Torque:</b>	17.5 LB-FT
<b>Temp. Rise @ S.F. Load:</b>	82°C	<b>Starting Current:</b>	32.9 Amps

**Load Characteristics**

<b>% of Rated Load:</b>	<b>25</b>	<b>50</b>	<b>75</b>	<b>100</b>	<b>125</b>	<b>150</b>	<b>S.F.</b>
<b>Power Factor:</b>	55.0	74.0	83.0	87.0	88.0	88.0	88.0
<b>Efficiency:</b>	76.0	83.0	84.3	84.0	82.7	80.6	83.2
<b>Speed:</b>	3559.0	3525.0	3490.0	3452.0	3409.0	3358.0	3426.0
<b>Line Amperes:</b>	1.7	2.3	3.0	3.8	4.7	5.7	4.3

Performance Graph at 460V, 60Hz, 3.0HP (Typical performance - Not guaranteed values)

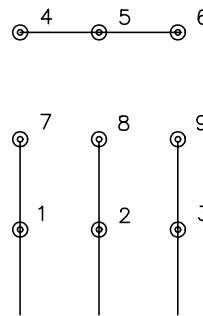




CD0005

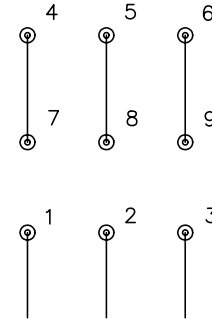


LOW VOLTAGE  
(2Y)



LINE

HIGH VOLTAGE  
(1Y)



LINE

NOTES:

1. INTERCHANGE ANY TWO LINE LEADS TO REVERSE ROTATION.
2. OPTIONAL THERMOSTATS ARE PROVIDED WHEN SPECIFIED.
3. ACTUAL NUMBER OF INTERNAL PARALLEL CIRCUITS MAY BE A MULTIPLE OF THOSE SHOWN ABOVE.
4. LEAD COLORS ARE OPTIONAL. LEADS MUST ALWAYS BE NUMBERED AS SHOWN.

REV. DESC: REVISE TO SHOW OPTIONAL COLORS			
REV. LTR: E	BY: JLP	REVISED: 01/19/99 10:15	TDR: 0171435
9000D		FILE: AAA00005140	MDL: -
		MTL: -	

**BALDOR ELECTRIC Co.**

3PH, DV, 9 LEADS

CD0005