



BALDOR® • *RELIANCE*

Product Information Packet

L1303

.5HP,3450RPM,1PH,60HZ,56,3413L,OPEN,F1

Product Detail							
Revision:	H	Status:	PRD/A	Change #:		Proprietary:	No
Type:	AC	Prod Type:	3413L	Elec. Spec:	34WGX716	CD Diagram:	CD0001
Enclosure	OPEN	Mfg Plant:		Mech Spec:	34F074	Layout:	34LYF074
Frame:	56	Mounting:	F1	Poles:	02	Created Date:	
Base:	RG	Rotation:	R	Insulation:	B	Eff. Date:	08-19-2008
Leads:	6#18	Literature:		Elec. Diagram:		Replaced By:	

Nameplate NP1256L									
CAT.NO.	L1303								
SPEC.	34F074X716								
HP	.5								
VOLTS	115/230								
AMP	7/3.5								
RPM	3450								
FRAME	56	HZ			60	PH	1		
SER.F.	1.25	CODE			L	DES	N	CLASS	B
NEMA-NOM-EFF	66	PF			72				
RATING	40C AMB-CONT								
CC				USABLE AT 208V		4.1			
DE	6203	ODE			6203				
ENCL	OPEN	SN							
	SFA 8/4								

Parts List			
Product ID	Description	Quantity	List Price
SA045159	SA 34F074X716	1.000	137.00
RA040556	RA 34F074X716	1.000	114.00
NS2512A01	INSULATOR, CONDUIT BOX X X	1.000	2.00
34CB3002A	CB CAST W/.88 DIA HOLE	1.000	13.00
51XB1016A07	10-16 X 7/16 HXWSSLD SERTYB	2.000	2.00
11XW1032G06	10-32 X .38, TAPTITE II, HEX WSHR SLTD U	1.000	3.00
34EP3210A01SP	FR ENDPLATE, MACH	1.000	52.00
51XW0832A07	8-32 X .44, TAPTITE II, HEX WSHR SLTD SE	2.000	2.00
SP1006A01	TERM. BOARD, MODE 35 SW X H-23655	1.000	7.00
NS2501A01	INSULATOR, CAPACITOR X	1.000	2.00
51XB1016A05	10-16X5/16HX WA SL SR TYB (F/S)	2.000	2.00
HW5100A03SP	WAVY WASHER (W1543-017)	1.000	2.00
34EP3212A02	PU ENDPLATE, MODEL 34 OPEN	1.000	18.00
XY1032A02	10-32 HEX NUT DIRECTIONAL SERRATION	4.000	2.00
34CB4517	CB LID 4 MTG HOLES .22 DIA STAMPED, FOR	1.000	5.00
51XW0832A07	8-32 X .44, TAPTITE II, HEX WSHR SLTD SE	4.000	2.00
HW2501D13SP	KEY, 3/16 SQ X 1.375	1.000	2.00
HA7000A04	KEY RETAINER 0.625 DIA SHAFTS	1.000	2.00
MG1000G27	PAINT- S9282E CHARCOAL GREY	0.014	4,000.00
10XF0440S02	04-40 X 1/8 TYPE F HEX HD STAINLESS STIC	2.000	2.00
EC1400A03SP	ELEC CAP, 400-480 MFD, 125V, 1.81D X 3.	1.000	23.00
33CB4800A01	CAPACITOR COVER, STAMPED	1.000	10.00
SP5056A24	MODEL 34 TYPE L STATIONARY SWITCH WITH L	1.000	18.00
HA3100A12	THRUBOLT 10-32 X 7.375	4.000	2.00

Parts List (continued)			
Product ID	Description	Quantity	List Price
LB5040	INSTRUCTION TAG, AC & DC	1.000	2.00
LB1125C01	STD (STOCK) CARTON LABEL BALDOR WITH FLA	1.000	2.00
LC0001A01	CONN LABEL / WARNING LABEL (LC0001 / LB1	1.000	2.00
NP1256L	NP STD LASER ENGRAVED, UL CSA CC, W/O TH	1.000	3.00
34PA1002	PACKING GROUP, BALDOR	1.000	13.00

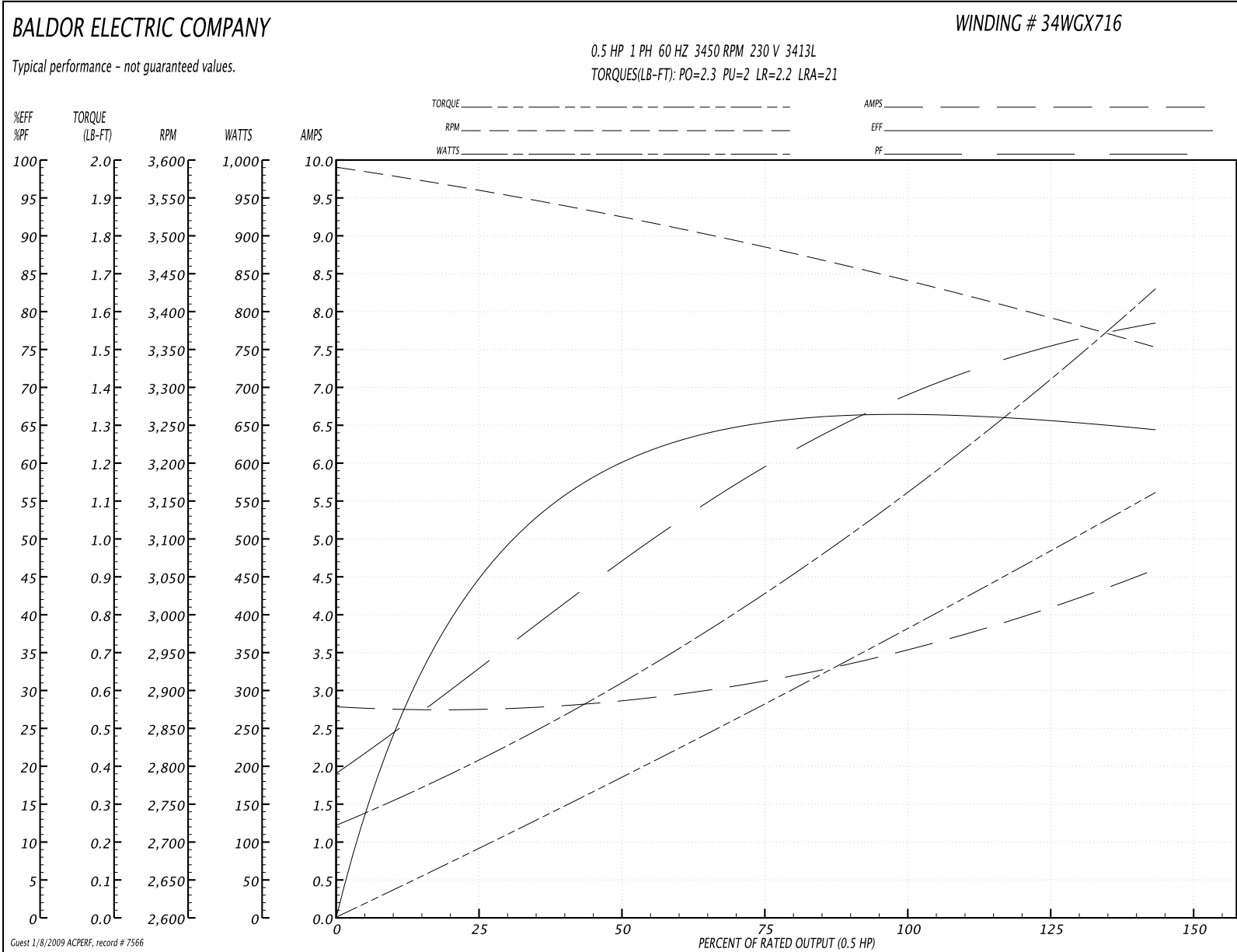
Performance Data at 230V, 60Hz, 0.5HP (Typical performance - Not guaranteed values)
General Characteristics

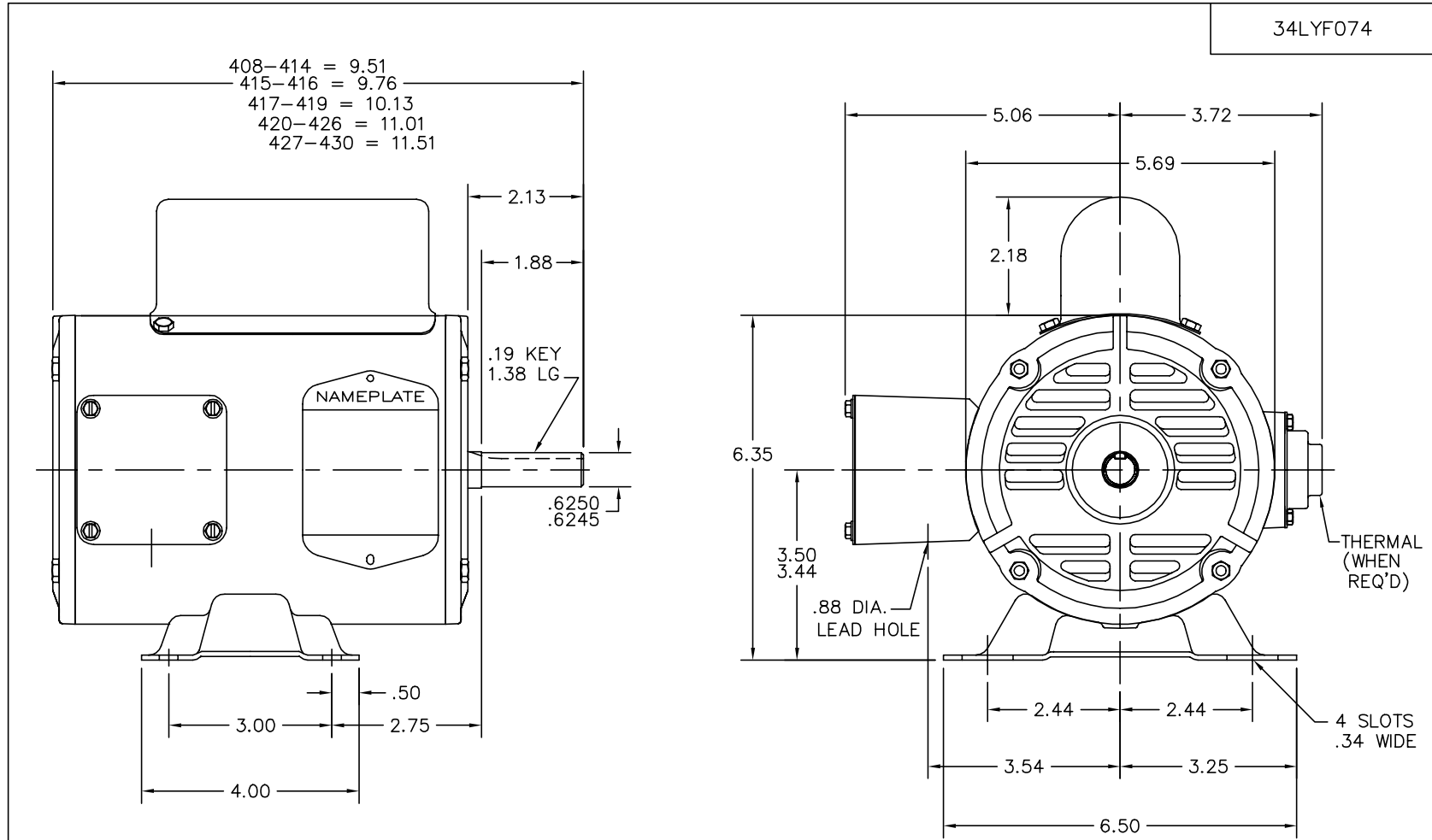
Full Load Torque:	0.75 LB-FT	Start Configuration:	DOL
No-Load Current:	2.76 Amps	Break-Down Torque:	2.3 LB-FT
Line-line Res. @ 25°C.:	4.163 Ohms A Ph / 4.624 Ohms B Ph	Pull-Up Torque:	2.0 LB-FT
Temp. Rise @ Rated Load:	67°C	Locked-Rotor Torque:	2.2 LB-FT
Temp. Rise @ S.F. Load:	84°C	Starting Current:	21.0 Amps

Load Characteristics

% of Rated Load:	25	50	75	100	125	150	S.F.
Power Factor:	29.0	48.0	60.0	69.0	76.0	78.0	76.0
Efficiency:	50.7	58.5	64.8	66.2	65.8	64.6	65.8
Speed:	3548.0	3520.0	3489.0	3449.0	3405.0	3346.0	3405.0
Line Amperes:	2.78	2.88	3.13	3.5	3.95	4.64	3.95

Performance Graph at 230V, 60Hz, 0.5HP (Typical performance - Not guaranteed values)





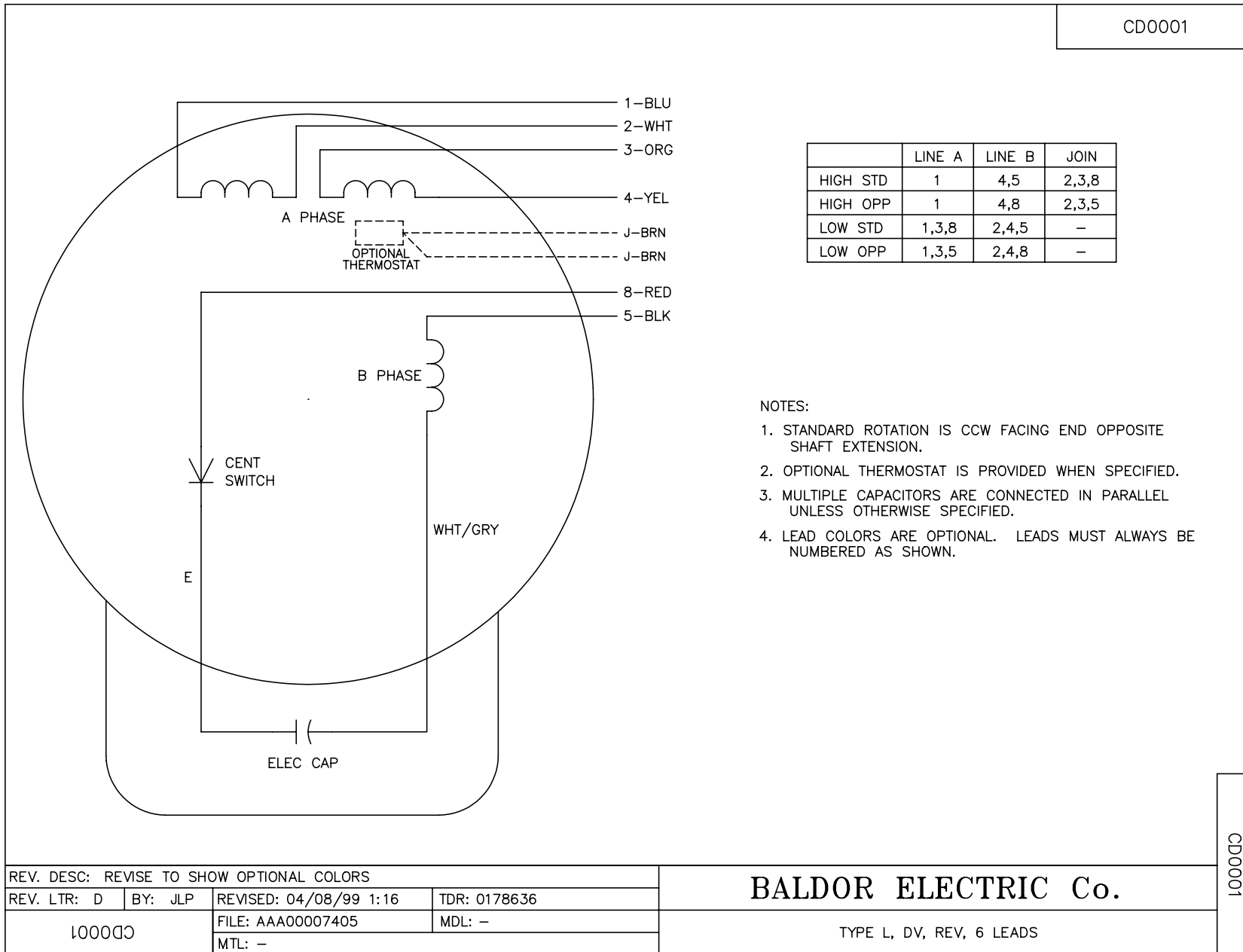
CUSTOMER IS RESPONSIBLE FOR DETERMINING THAT MOTOR PERFORMANCE IS SUITABLE IN THE APPLICATION.

REV. DESC: MOVED CAP BOX .25 TOWARD PU END; NEW KBOX & LID			
REV. LTR: D	BY: RT	REVISED: 11:21:05 10/16/2003	TDR: 312052
34LYF074		FILE: AAA00026594	REF: 34LYF074
		MTL: -	

BALDOR ELECTRIC Co.
STD HORZ MODEL 34L NEMA 56 OPEN W/3 PHASE ER'S & LG CAPAC

34LYF074

CD0001



NOTES:

1. STANDARD ROTATION IS CCW FACING END OPPOSITE SHAFT EXTENSION.
2. OPTIONAL THERMOSTAT IS PROVIDED WHEN SPECIFIED.
3. MULTIPLE CAPACITORS ARE CONNECTED IN PARALLEL UNLESS OTHERWISE SPECIFIED.
4. LEAD COLORS ARE OPTIONAL. LEADS MUST ALWAYS BE NUMBERED AS SHOWN.

REV. DESC: REVISE TO SHOW OPTIONAL COLORS			
REV. LTR: D	BY: JLP	REVISED: 04/08/99 1:16	TDR: 0178636
100000		FILE: AAA00007405	MDL: -
		MTL: -	

BALDOR ELECTRIC Co.

TYPE L, DV, REV, 6 LEADS

CD0001