



BALDOR® • *RELIANCE*

Product Information Packet

L1304M

.5HP,1725RPM,1PH,60HZ,56,3418L,OPEN,F1

Product Detail									
Revision:	V	Status:	PRD/A	Change #:		Proprietary:	No		
Type:	AC	Prod Type:	3418L	Elec. Spec:	34WG5596	CD Diagram:	CD0269		
Enclosure	OPEN	Mfg Plant:		Mech Spec:	34F005	Layout:	34LYF005		
Frame:	56	Mounting:	F1	Poles:	04	Created Date:			
Base:	RG	Rotation:	R	Insulation:	B	Eff. Date:	06-12-2008		
Leads:	6#18,1#16	Literature:		Elec. Diagram:		Replaced By:			
Nameplate NP1257L									
CAT.NO.	L1304M								
SPEC.	34F05-5596								
HP	.5								
VOLTS	115/230								
AMP	8.4/4.2								
RPM	1725								
FRAME	56	HZ	60			PH	1		
SER.F.	1.25	CODE	K			DES	N	CL	B
NEMA-NOM-EFF	62	PF	62						
RATING	40C AMB-CONT								
CC					USABLE AT 208V	4.8			
DE	6203	ODE	6203						
ENCL	OPEN	SN							
	SFA 9.2/4.6								

Parts List			
Product ID	Description	Quantity	List Price
SA007640	SA 34F05-5596	1.000	211.00
RA004027	RA 34F05-5596	1.000	176.00
EC1270A02SP	ELEC CAP, 270-324 MFD, 125V, 1.48D X 3.	1.000	15.00
NS2512A01	INSULATOR, CONDUIT BOX X X	1.000	2.00
34CB3002A	CB CAST W/.88 DIA HOLE	1.000	13.00
51XB1016A07	10-16 X 7/16 HXWSSLD SERTYB	2.000	2.00
11XW1032G06	10-32 X .38, TAPTITE II, HEX WSHR SLTD U	1.000	3.00
51XW0832A07	8-32 X .44, TAPTITE II, HEX WSHR SLTD SE	2.000	2.00
SP1006A01	TERM. BOARD, MODE 35 SW X H-23655	1.000	7.00
34EP3210A01SP	FR ENDPLATE, MACH	1.000	52.00
NS2500A01	INSULATOR, AUTO THER PROT	1.000	2.00
34CB4800SP	CAPACITOR COVER, STAMPED X X	1.000	20.00
51XB1016A05	10-16X5/16HX WA SL SR TYB (F/S)	2.000	2.00
HW5100A03SP	WAVY WASHER (W1543-017)	1.000	2.00
34EP3212A02	PU ENDPLATE, MODEL 34 OPEN	1.000	18.00
XY1032A02	10-32 HEX NUT DIRECTIONAL SERRATION	4.000	2.00
34CB4517	CB LID 4 MTG HOLES .22 DIA STAMPED, FOR	1.000	5.00
51XW0832A07	8-32 X .44, TAPTITE II, HEX WSHR SLTD SE	4.000	2.00
HW2501D13SP	KEY, 3/16 SQ X 1.375	1.000	2.00
HA7000A04	KEY RETAINER 0.625 DIA SHAFTS	1.000	2.00
MG1000G27	PAINT- S9282E CHARCOAL GREY	0.014	4,000.00
10XF0440S02	04-40 X 1/8 TYPE F HEX HD STAINLESS STIC	2.000	2.00
SP5056A24	MODEL 34 TYPE L STATIONARY SWITCH WITH L	1.000	18.00
HA3100A47	THRUBOLT 10-32 X 7.625	4.000	2.00

Parts List (continued)			
Product ID	Description	Quantity	List Price
LB1125C01	STD (STOCK) CARTON LABEL BALDOR WITH FLA	1.000	2.00
LB1119	WARNING LABEL	1.000	2.00
LB1087	LABEL,MANUAL RESET (ROLL LABEL)	1.000	2.00
LC0269	1PH,DV,REV,THERMAL,7 LD,L.AMP THRU HTR H	1.000	2.00
NP1257L	NP STD LASER ENGRAVED THERMAL PROTECTED,	1.000	25.00
34PA1002	PACKING GROUP, BALDOR	1.000	13.00

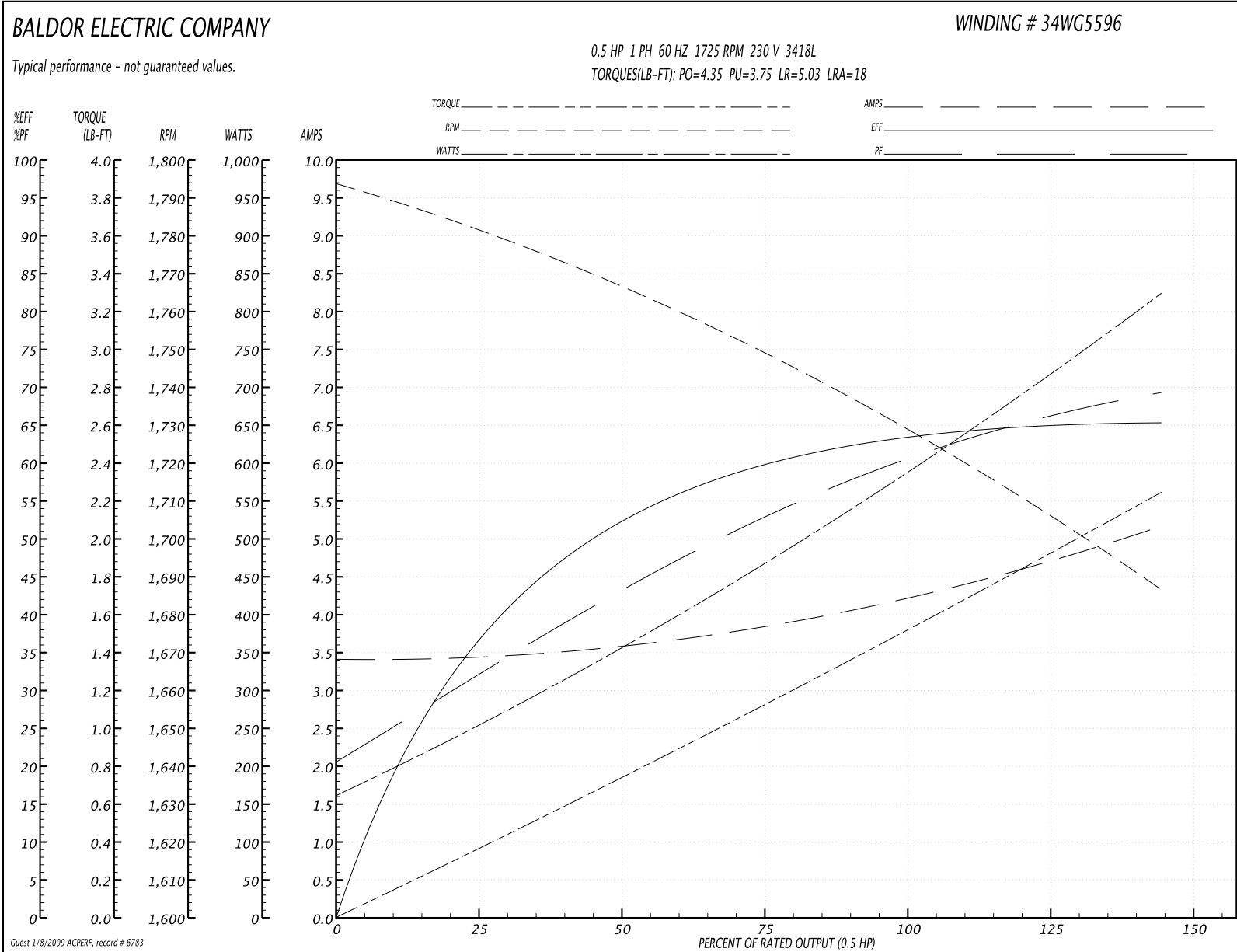
Performance Data at 230V, 60Hz, 0.5HP (Typical performance - Not guaranteed values)
General Characteristics

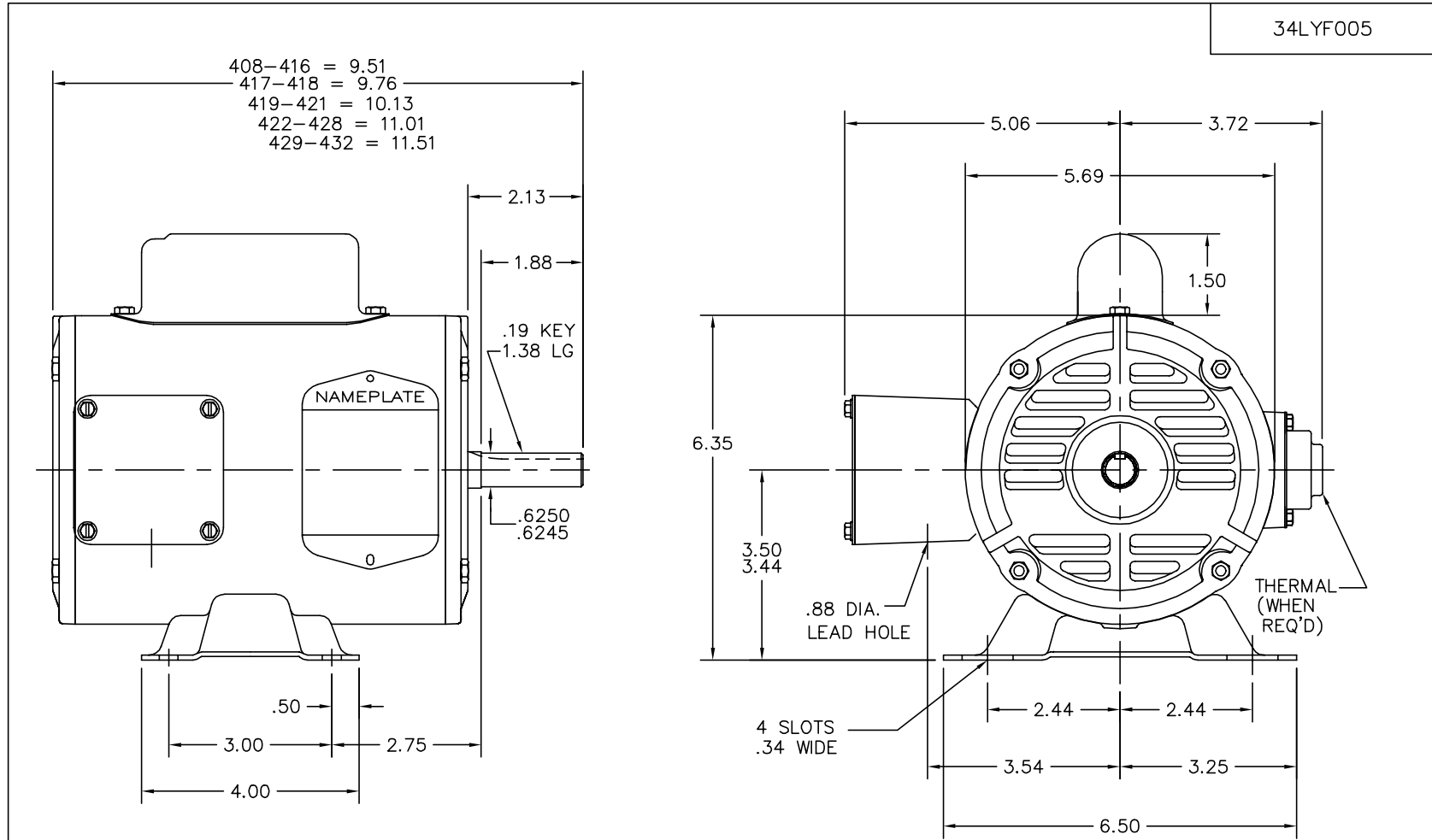
Full Load Torque:	1.5 LB-FT	Start Configuration:	DOL
No-Load Current:	3.4 Amps	Break-Down Torque:	4.35 LB-FT
Line-line Res. @ 25°C.:	4.24 Ohms A Ph / 3.24 Ohms B Ph	Pull-Up Torque:	3.75 LB-FT
Temp. Rise @ Rated Load:	59°C	Locked-Rotor Torque:	5.03 LB-FT
Temp. Rise @ S.F. Load:	68°C	Starting Current:	18.0 Amps

Load Characteristics

% of Rated Load:	25	50	75	100	125	150	S.F.
Power Factor:	30.0	42.0	53.0	62.0	69.0	77.0	69.0
Efficiency:	36.0	52.0	60.0	64.0	65.0	65.0	65.0
Speed:	1780.0	1765.0	1750.0	1730.0	1711.0	1685.0	1711.0
Line Amperes:	3.45	3.6	3.85	4.2	4.6	5.2	4.6

Performance Graph at 230V, 60Hz, 0.5HP (Typical performance - Not guaranteed values)



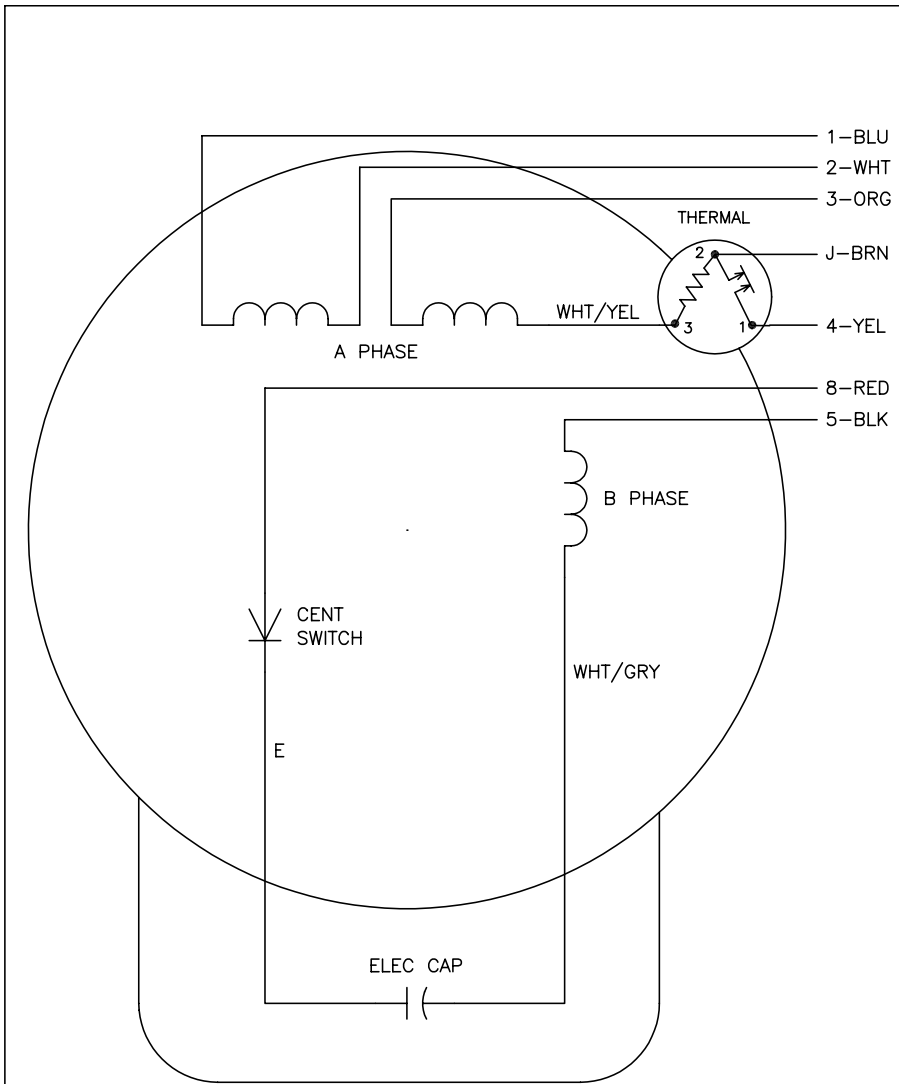


CUSTOMER IS RESPONSIBLE FOR DETERMINING THAT MOTOR PERFORMANCE IS SUITABLE IN THE APPLICATION.

REV. DESC: UPDATED GRAPHIC			BALDOR ELECTRIC Co.
REV. LTR: F	VERSION: 02	TDR: 000000423571	
34LYF005	FILE: \AAA\00026\294	REVISED: 13:53:55 02/26/2007	STD HORZ MODEL 34L NEMA 56 OPEN
	MTL: -	BY: ENROSTO	

34LYF005

CD0269



	LINE A	LINE B	JOIN	JOIN
HIGH STD	1,8	4	2,3,5	J
HIGH OPP	1,5	4	2,3,8	J
LOW STD	1,3,8	4	-	2,J,5
LOW OPP	1,3,5	4	-	2,J,8

- NOTES:
1. STANDARD ROTATION IS CCW FACING END OPPOSITE SHAFT EXTENSION.
 2. MULTIPLE CAPACITORS ARE CONNECTED IN PARALLEL UNLESS OTHERWISE SPECIFIED.
 3. LEAD COLORS ARE OPTIONAL. LEADS MUST ALWAYS BE NUMBERED AS SHOWN.

REV. DESC: REVISE TO SHOW OPTIONAL COLORS			
REV. LTR: E	BY: JLP	REVISED: 04/08/99 1:07	TDR: 0178636
692000		FILE: AAA00007421	MDL: -
		MTL: -	

BALDOR ELECTRIC Co.

TYPE L, DV, REV, THERMAL, B PH AMPS THRU HTR HVC, 7 LEAD

CD0269