



# **BALDOR® • *RELIANCE***

## **Product Information Packet**

### **L1309A**

**1HP,3450RPM,1PH,60HZ,56,3428L,OPEN,F1**

Product Detail									
Revision:	J	Status:	PRD/A	Change #:		Proprietary:	No		
Type:	AC	Prod Type:	3428L	Elec. Spec:	34WG3433	CD Diagram:	CD0269		
Enclosure	OPEN	Mfg Plant:		Mech Spec:	34F017	Layout:	34LYF017		
Frame:	56	Mounting:	F1	Poles:	02	Created Date:			
Base:	RG	Rotation:	R	Insulation:	B	Eff. Date:	07-28-2004		
Leads:	4#16,2#18,1#14	Literature:		Elec. Diagram:		Replaced By:			
Nameplate NP1257L									
CAT.NO.	L1309A								
SPEC.	34F017-3433								
HP	1								
VOLTS	115/230								
AMP	13.2/6.6								
RPM	3450								
FRAME	56	HZ			60	PH	1		
SER.F.	1.25	CODE			L	DES	N	CL	B
NEMA-NOM-EFF	70	PF			65				
RATING	40C AMB-CONT								
CC				USABLE AT 208V			N/A		
DE	6203	ODE			6203				
ENCL	OPEN	SN							
	SFA 14.8/7.4								

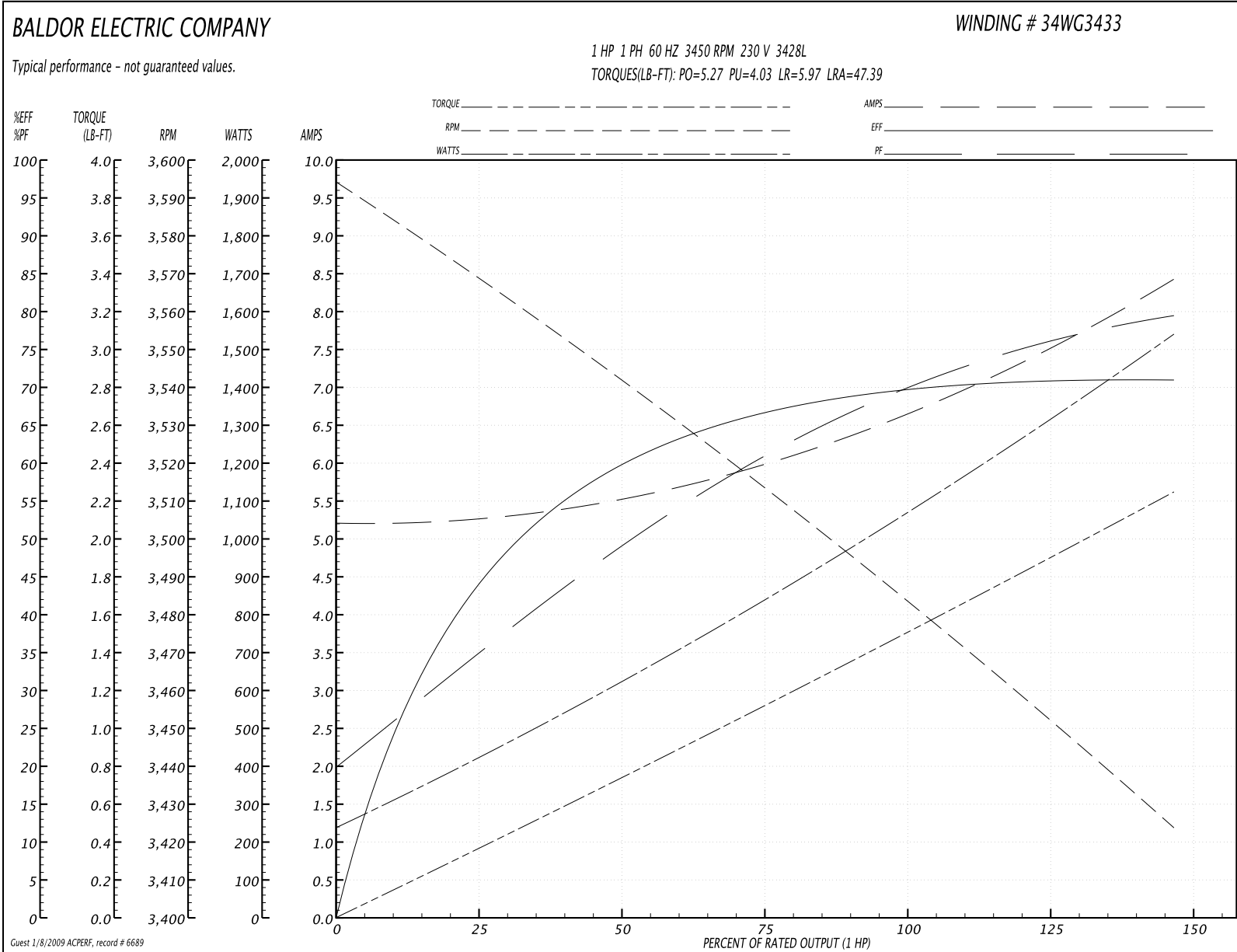
<b>Parts List</b>			
<b>Product ID</b>	<b>Description</b>	<b>Quantity</b>	<b>List Price</b>
SA039280	SA 34F017-3433	1.000	187.00
RA035246	RA 34F017-3433	1.000	156.00
NS2512A01	INSULATOR, CONDUIT BOX X X	1.000	2.00
34CB3002A	CB CAST W/.88 DIA HOLE	1.000	13.00
51XB1016A07	10-16 X 7/16 HXWSSLD SERTYB	2.000	2.00
11XW1032G06	10-32 X .38, TAPTITE II, HEX WSHR SLTD U	1.000	3.00
34EP3210A01SP	FR ENDPLATE, MACH	1.000	52.00
51XW0832A07	8-32 X .44, TAPTITE II, HEX WSHR SLTD SE	2.000	2.00
SP1006A01	TERM. BOARD, MODE 35 SW X H-23655	1.000	7.00
NS2501A01	INSULATOR, CAPACITOR X	1.000	2.00
51XB1016A05	10-16X5/16HX WA SL SR TYB (F/S)	2.000	2.00
WD1000A03	41531 AMP FLG.TERM(4M/RL)1 MILLION PER Y	1.000	2.00
HW5100A03SP	WAVY WASHER (W1543-017)	1.000	2.00
34EP3212A02	PU ENDPLATE, MODEL 34 OPEN	1.000	18.00
XY1032A02	10-32 HEX NUT DIRECTIONAL SERRATION	4.000	2.00
34CB4517	CB LID 4 MTG HOLES .22 DIA STAMPED, FOR	1.000	5.00
51XW0832A07	8-32 X .44, TAPTITE II, HEX WSHR SLTD SE	4.000	2.00
HW2501D13SP	KEY, 3/16 SQ X 1.375	1.000	2.00
HA7000A04	KEY RETAINER 0.625 DIA SHAFTS	1.000	2.00
MG1000G27	PAINT- S9282E CHARCOAL GREY	0.014	4,000.00
10XF0440S02	04-40 X 1/8 TYPE F HEX HD STAINLESS STIC	2.000	2.00
EC1645A06SP	ELEC CAP, 645-774 MFD, 125V, 2.06D X 4.	1.000	31.00
SP5056A24	MODEL 34 TYPE L STATIONARY SWITCH WITH L	1.000	18.00
33CB4800A02	CAPACITOR COVER, STAMPED	1.000	3.00

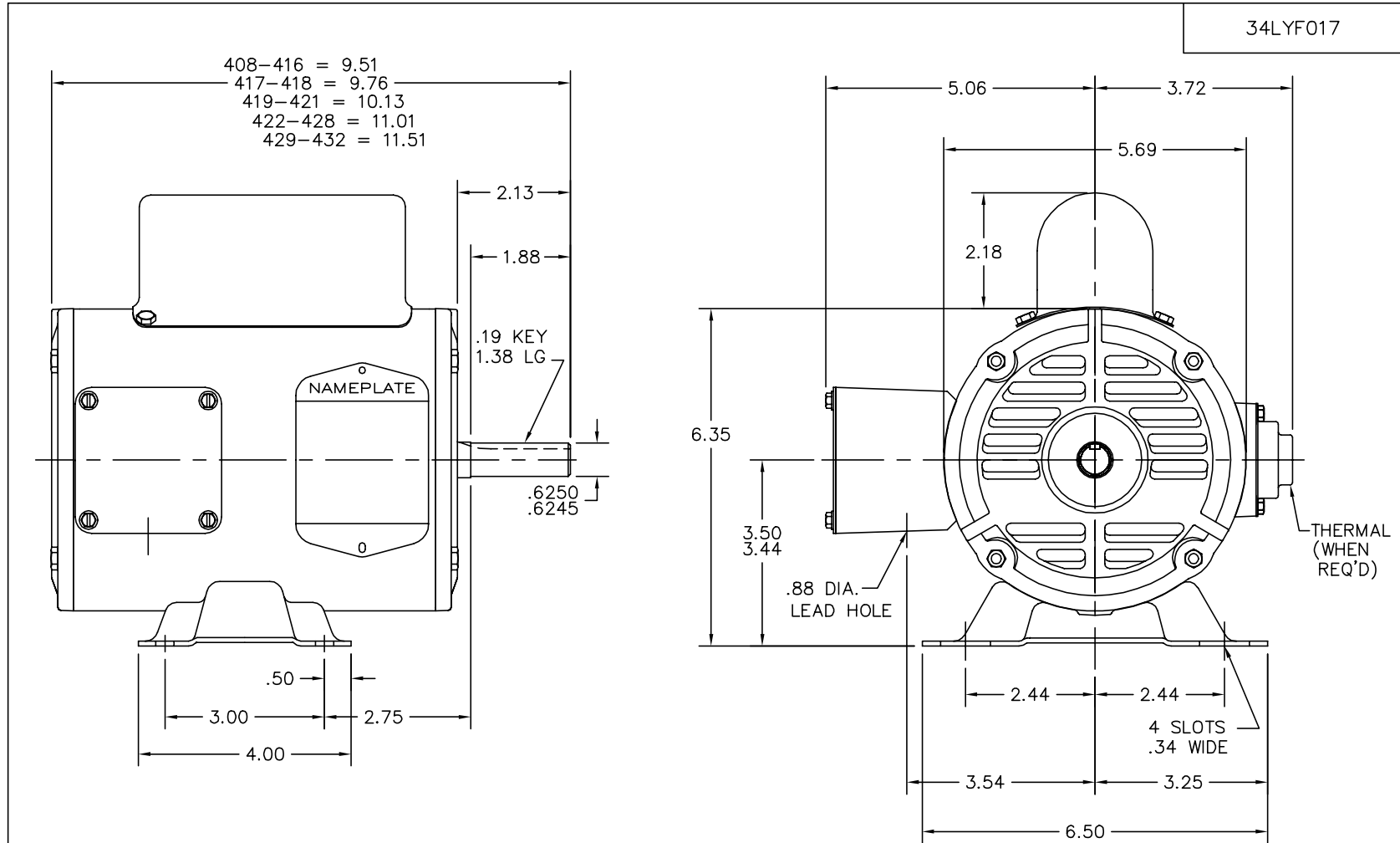
<b>Parts List (continued)</b>			
<b>Product ID</b>	<b>Description</b>	<b>Quantity</b>	<b>List Price</b>
HA3100A45	THRUBOLT 10-32 X 8.875	4.000	5.00
LB5040	INSTRUCTION TAG, AC & DC	1.000	2.00
LB1118	LABEL,WARNING (ROLL LABEL)	1.000	2.00
LB1125C01	STD (STOCK) CARTON LABEL BALDOR WITH FLA	1.000	2.00
LC0269	1PH,DV,REV,THERMAL,7 LD,L.AMP THRU HTR H	1.000	2.00
NP1257L	NP STD LASER ENGRAVED THERMAL PROTECTED,	1.000	25.00
34PA1002	PACKING GROUP, BALDOR	1.000	13.00

**Performance Data at 230V, 60Hz, 1.0HP (Typical performance - Not guaranteed values)**

General Characteristics							
<b>Full Load Torque:</b>	1.5 LB-FT			<b>Start Configuration:</b>	DOL		
<b>No-Load Current:</b>	5.19 Amps			<b>Break-Down Torque:</b>	5.27 LB-FT		
<b>Line-line Res. @ 25°C.:</b>	1.639 Ohms A Ph / 1.622 Ohms B Ph			<b>Pull-Up Torque:</b>	4.03 LB-FT		
<b>Temp. Rise @ Rated Load:</b>	34°C			<b>Locked-Rotor Torque:</b>	5.97 LB-FT		
<b>Temp. Rise @ S.F. Load:</b>	41°C			<b>Starting Current:</b>	47.39 Amps		
Load Characteristics							
<b>% of Rated Load:</b>	<b>25</b>	<b>50</b>	<b>75</b>	<b>100</b>	<b>125</b>	<b>150</b>	<b>S.F.</b>
<b>Power Factor:</b>	36.0	49.0	61.0	70.0	78.0	82.0	78.0
<b>Efficiency:</b>	45.2	59.2	66.7	69.8	71.1	70.8	71.1
<b>Speed:</b>	3561.0	3540.0	3515.0	3487.0	3456.0	3421.0	3456.0
<b>Line Amperes:</b>	5.29	5.55	5.98	6.62	7.45	8.44	7.45

Performance Graph at 230V, 60Hz, 1.0HP (Typical performance - Not guaranteed values)





CUSTOMER IS RESPONSIBLE FOR DETERMINING THAT MOTOR PERFORMANCE IS SUITABLE IN THE APPLICATION.

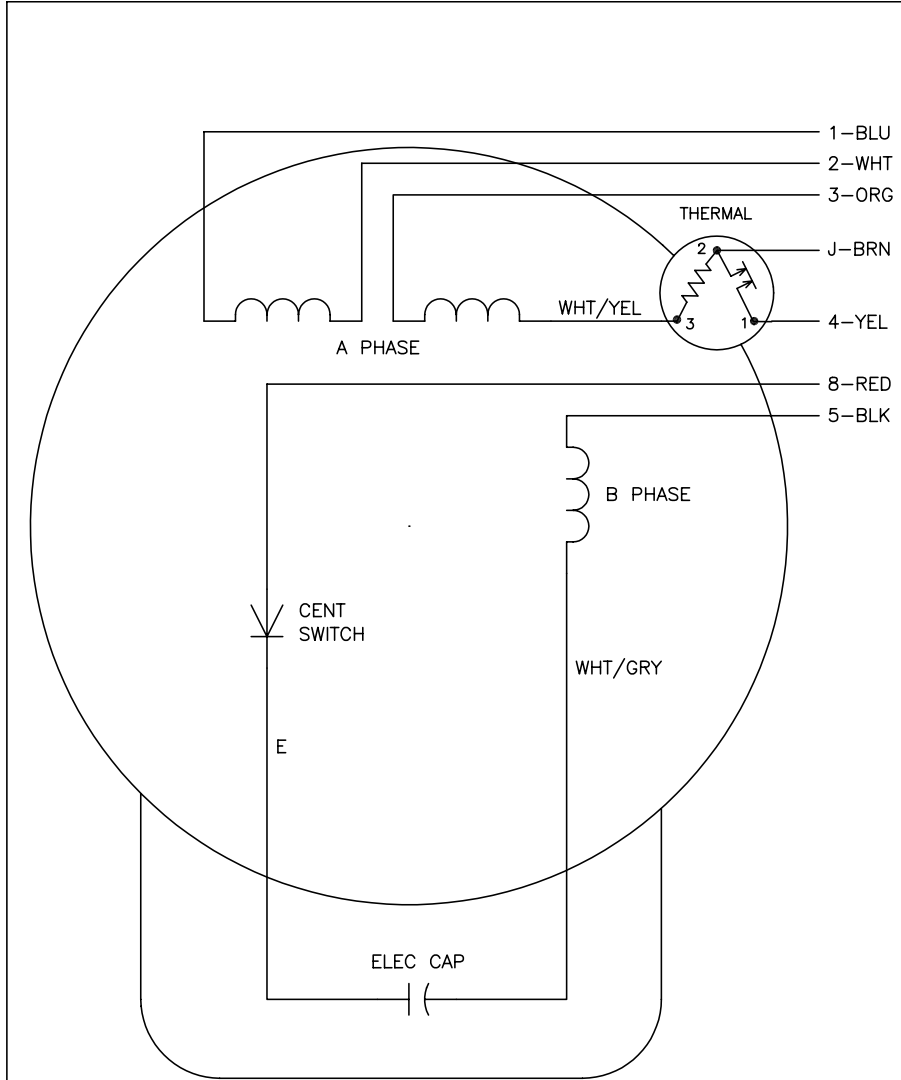
REV. DESC: NEW KBOX & LID			
REV. LTR: E	BY: RT	REVISED: 08:18:57 10/14/2003	TDR: 314971
710Y17C		FILE: AAA00026298	REF: 34LYF017
		MTL: -	

**BALDOR ELECTRIC Co.**

STD HORZ MODEL 34L NEMA 56 OPEN W/LG CAP BOX

34LYF017

CD0269



	LINE A	LINE B	JOIN	JOIN
HIGH STD	1,8	4	2,3,5	J
HIGH OPP	1,5	4	2,3,8	J
LOW STD	1,3,8	4	-	2,J,5
LOW OPP	1,3,5	4	-	2,J,8

- NOTES:
1. STANDARD ROTATION IS CCW FACING END OPPOSITE SHAFT EXTENSION.
  2. MULTIPLE CAPACITORS ARE CONNECTED IN PARALLEL UNLESS OTHERWISE SPECIFIED.
  3. LEAD COLORS ARE OPTIONAL. LEADS MUST ALWAYS BE NUMBERED AS SHOWN.

REV. DESC: REVISE TO SHOW OPTIONAL COLORS			
REV. LTR: E	BY: JLP	REVISED: 04/08/99 1:07	TDR: 0178636
692000		FILE: AAA00007421	MDL: -
		MTL: -	

**BALDOR ELECTRIC Co.**

TYPE L, DV, REV, THERMAL, B PH AMPS THRU HTR HVC, 7 LEAD

CD0269