



BALDOR® • *RELIANCE*

Product Information Packet

L1318M

1HP,1725RPM,1PH,60HZ,56/56H,3528L,OPEN

Product Detail

Revision:	X	Status:	PRD/A	Change #:		Proprietary:	No
Type:	AC	Prod Type:	3528L	Elec. Spec:	35WG0602	CD Diagram:	CD0008
Enclosure	OPEN	Mfg Plant:		Mech Spec:	35J384	Layout:	35LYJ384
Frame:	56/56H	Mounting:	F1	Poles:	04	Created Date:	
Base:	RG	Rotation:	R	Insulation:	B	Eff. Date:	12-05-2008
Leads:	6#18,1#14	Literature:		Elec. Diagram:		Replaced By:	

Nameplate NP1257L

CAT.NO.	L1318M						
SPEC.	35J384-602						
HP	1						
VOLTS	115/230						
AMP	12.4/6.2						
RPM	1725						
FRAME	56/56H	HZ	60	PH	1		
SER.F.	1.00	CODE	K	DES	L	CL	B
NEMA-NOM-EFF	67	PF	68				
RATING	40C AMB-CONT						
CC			USABLE AT 208V				
DE	6205	ODE	6203				
ENCL	OPEN	SN					

Parts List			
Product ID	Description	Quantity	List Price
SA025950	SA 35J384-602	1.000	271.00
RA022000	RA 35J384-602	1.000	226.00
EC1645A06SP	ELEC CAP, 645-774 MFD, 125V, 2.06D X 4.	1.000	31.00
TP5059	GENERIC THERMAL KIT	1.000	5.00
NS2512A01	INSULATOR, CONDUIT BOX X X	1.000	2.00
35CB3007	35 CB CASTING W/.88 DIA. LEAD HOLE	1.000	27.00
51XB1016A07	10-16 X 7/16 HXWSSLD SERTYB	2.000	2.00
11XW1032G06	10-32 X .38, TAPTITE II, HEX WSHR SLTD U	1.000	3.00
35EP3201A03	STD FR EP OPEN-203BRG-35L OR M FRAME--LE	1.000	66.00
SP1006A01	TERM. BOARD, MODE 35 SW X H-23655	1.000	7.00
51XW0832A07	8-32 X .44, TAPTITE II, HEX WSHR SLTD SE	2.000	2.00
NS2501A01	INSULATOR, CAPACITOR X	1.000	2.00
51XB1016A05	10-16X5/16HX WA SL SR TYB (F/S)	2.000	2.00
HW5100A03SP	WAVY WASHER (W1543-017)	1.000	2.00
35EP3200A02	STD PU ENDPLATE-OPEN-205 BRG	1.000	66.00
XY1032A02	10-32 HEX NUT DIRECTIONAL SERRATION	4.000	2.00
35CB4521	35 LIPPED CB LID (GALV & PHOSPH)	1.000	2.00
51XW0832A07	8-32 X .44, TAPTITE II, HEX WSHR SLTD SE	4.000	2.00
HW2501D13SP	KEY, 3/16 SQ X 1.375	1.000	2.00
HA7000A04	KEY RETAINER 0.625 DIA SHAFTS	1.000	2.00
10XF0440S02	04-40 X 1/8 TYPE F HEX HD STAINLESS STIC	2.000	2.00
WD1000A15	3-520132-2 AMP FLAG (4M/RL NON-CANC/NON-	2.000	2.00
MJ1000A02	GREASE, POLYREX EM EXXON	0.050	10.00
MG1000G27	PAINT- S9282E CHARCOAL GREY	0.017	4,000.00

Parts List (continued)			
Product ID	Description	Quantity	List Price
LC0008	1PH,DV,7-LEAD,THERMAL,CONNECTION DIAGRAM	1.000	2.00
NP1257L	NP STD LASER ENGRAVED THERMAL PROTECTED,	1.000	25.00
HA3100A18	THRUBOLT 10-32 X 9.250	4.000	2.00
35CB4802A02SP	CAPACITOR COVER, STAMPED X W/AUTOPHORET	1.000	16.00
SP5055A67	MODEL 35 TYPE L STATIONARY SWITCH LEAD A	1.000	24.00
LB1087	LABEL,MANUAL RESET (ROLL LABEL)	1.000	2.00
LB1119	WARNING LABEL	1.000	2.00
LB1125C01	STD (STOCK) CARTON LABEL BALDOR WITH FLA	1.000	2.00
35PA1066	PACKING GROUP COMBINED PRINT	1.000	13.00

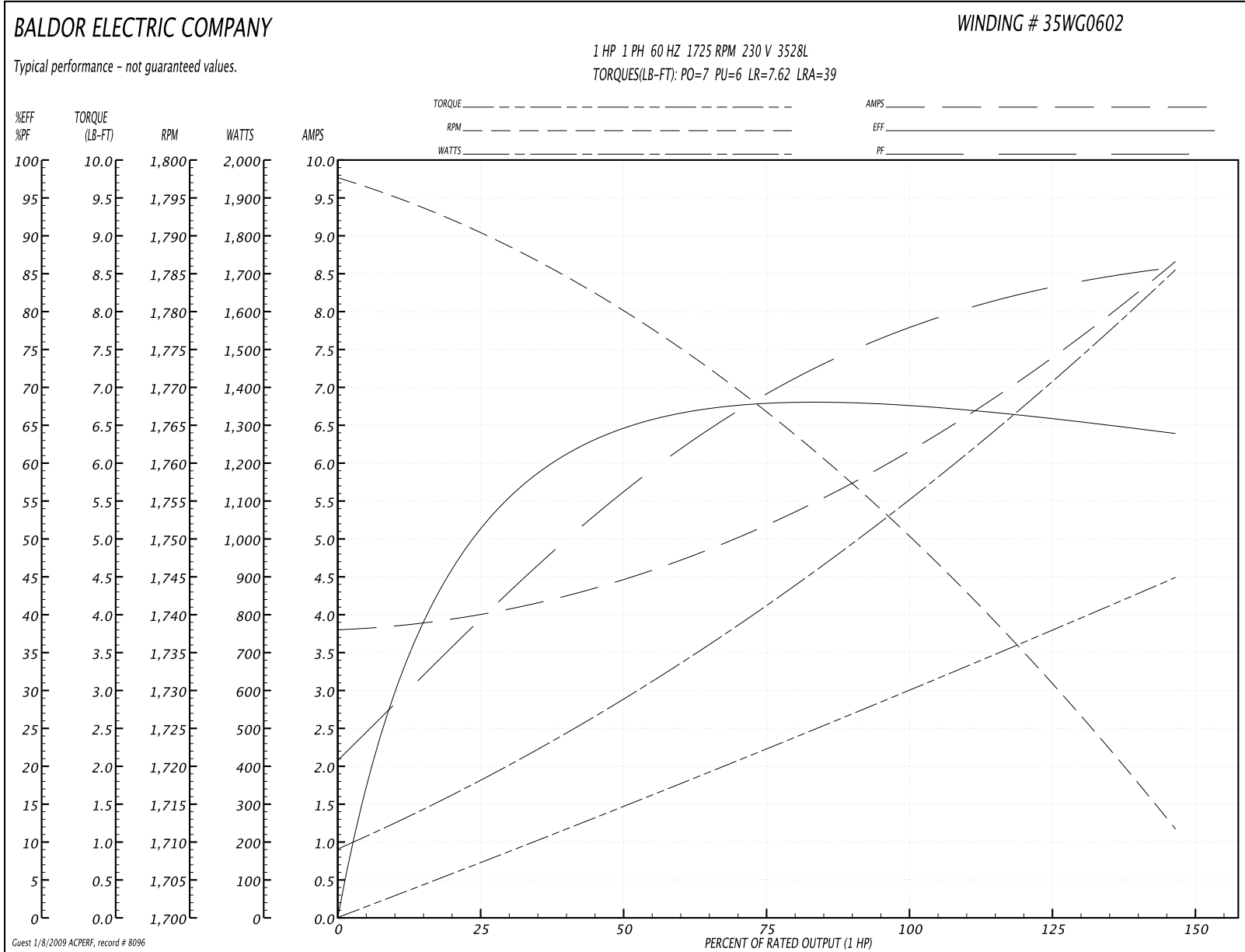
Performance Data at 230V, 60Hz, 1.0HP (Typical performance - Not guaranteed values)
General Characteristics

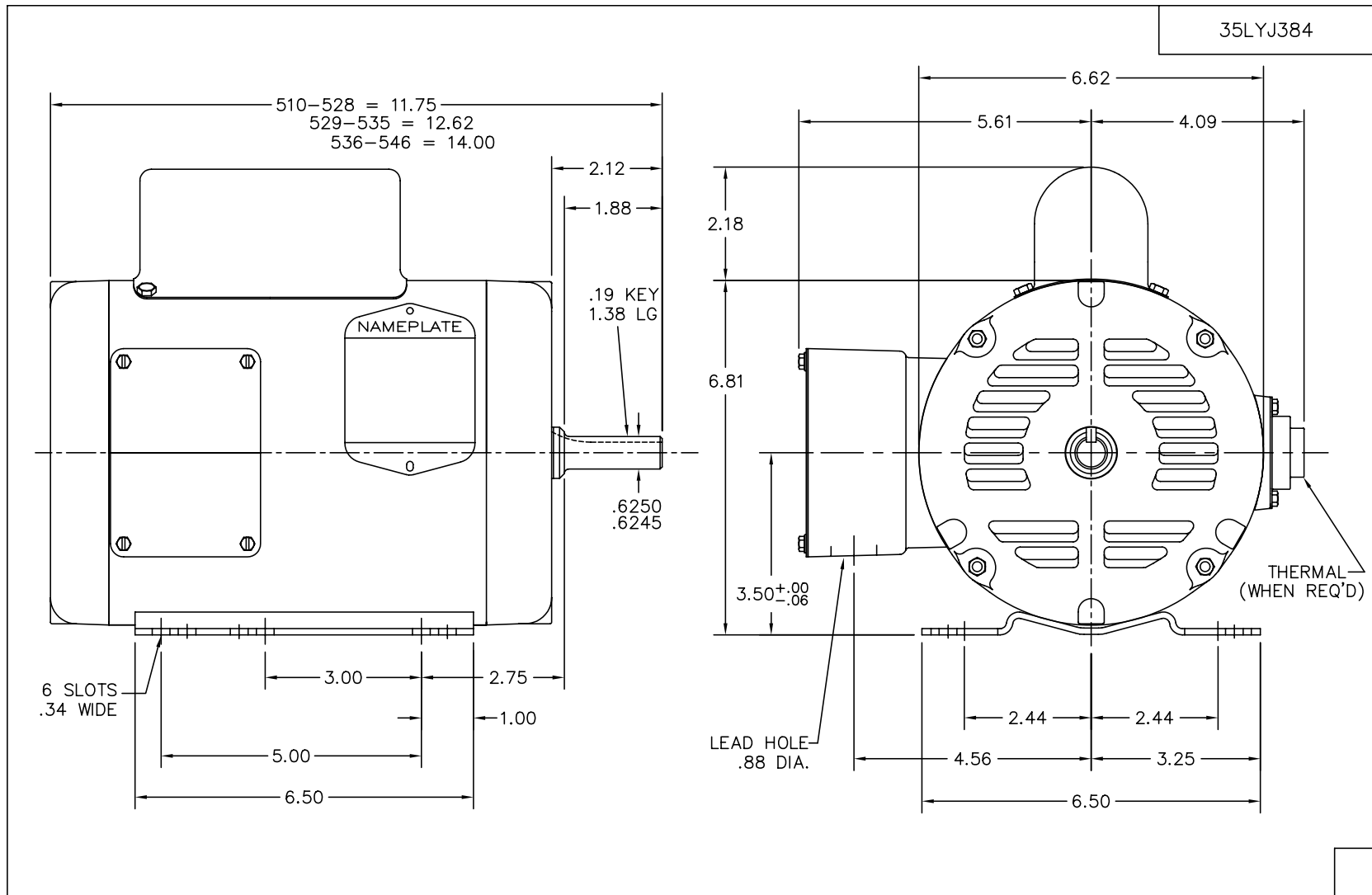
Full Load Torque:	3.0 LB-FT	Start Configuration:	DOL
No-Load Current:	3.8 Amps	Break-Down Torque:	7.0 LB-FT
Line-line Res. @ 25°C.:	2.73 Ohms A Ph / 1.76 Ohms B Ph	Pull-Up Torque:	6.0 LB-FT
Temp. Rise @ Rated Load:	42°C	Locked-Rotor Torque:	7.62 LB-FT
Temp. Rise @ S.F. Load:	0°C	Starting Current:	39.0 Amps

Load Characteristics

% of Rated Load:	25	50	75	100	125	150	S.F.
Power Factor:	40.0	57.0	70.0	77.0	83.0	86.0	81.0
Efficiency:	51.0	64.5	67.0	68.5	66.5	63.5	67.5
Speed:	1790.0	1780.0	1765.0	1750.0	1735.0	1710.0	1742.0
Line Amperes:	4.0	4.5	5.2	6.2	7.25	8.7	6.8

Performance Graph at 230V, 60Hz, 1.0HP (Typical performance - Not guaranteed values)

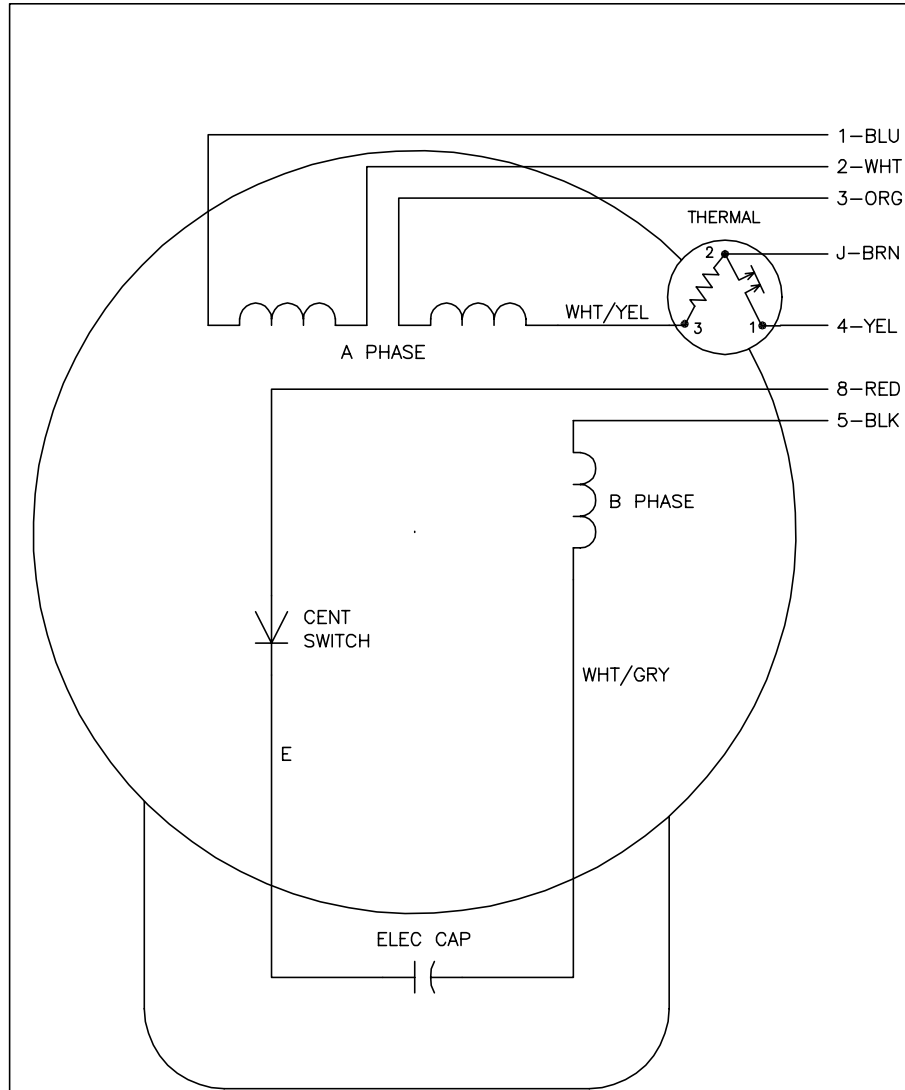




CUST. NAME		CUST. P.O.		CERTIFIED BY		MODEL		INSUL		AMB							
H.P.		MTG		TYPE		R.P.M.		VOLTS		ENCL							
PHASE		FREQ		FRAME		BALDOR ELECTRIC Co.											
REV. DESC: CHG'D CONDUIT BOX AND LID (SEE EC09)																	
REV. LTR: D		BY: JED		REVISED: 04/09/99 11:14								TDR: 0171806					
35LYJ384				FILE: AAA00010412				MDL: -									
MTL: -				STD HORZ 35L NEMA 56/56H OPEN													

35LYJ384

CD0008



	LINE A	LINE B	JOIN	JOIN
HIGH STD	1	4	2,3,8	J,5
HIGH OPP	1	4	2,3,5	J,8
LOW STD	1,3,8	4	-	2,J,5
LOW OPP	1,3,5	4	-	2,J,8

NOTES:

1. STANDARD ROTATION IS CCW FACING END OPPOSITE SHAFT EXTENSION.
2. MULTIPLE CAPACITORS ARE CONNECTED IN PARALLEL UNLESS OTHERWISE SPECIFIED.
3. LEAD COLORS ARE OPTIONAL. LEADS MUST ALWAYS BE NUMBERED AS SHOWN.

REV. DESC: REMOVE 2-TERMINAL THERMAL DETAIL, SEE CD0008A02		
REV. LTR: F	VERSION: 01	TDR: 000000360649
80000	FILE: \AAA\00007\408	REVISED: 10:56:54 04/18/2005
	MTL: -	BY: ENJOEPO

BALDOR ELECTRIC Co.

TYPE L, DV, REV, THERMAL, 7 LEADS

CD0008