



BALDOR® • *RELIANCE*

Product Information Packet

L3356

.25HP,3450RPM,1PH,60HZ,42,3316L,TEFC,F1

Product Detail							
Revision:	T	Status:	PRD/A	Change #:		Proprietary:	No
Type:	AC	Prod Type:	3316L	Elec. Spec:	33WG0389	CD Diagram:	CD0001A10
Enclosure	TEFC	Mfg Plant:		Mech Spec:	33-850	Layout:	33LY0850
Frame:	42	Mounting:	F1	Poles:	02	Created Date:	06-25-2007
Base:	RG	Rotation:	R	Insulation:	B	Eff. Date:	08-21-2008
Leads:	6#18	Literature:		Elec. Diagram:		Replaced By:	

Nameplate NP1256L									
CAT.NO.	L3356								
SPEC.	33-850-389								
HP	.25								
VOLTS	115/230								
AMP	4/2								
RPM	3450								
FRAME	42	HZ			60	PH	1		
SER.F.	1.35	CODE			L	DES	-	CLASS	B
NEMA-NOM-EFF	57	PF			64				
RATING	40C AMB-CONT								
CC				USABLE AT 208V		2.4			
DE	6203	ODE			6203				
ENCL	TEFC	SN							
	SFA 4.6/2.3								

Parts List			
Product ID	Description	Quantity	List Price
SA007357	SA 33-850-389	1.000	157.00
RA003804	RA 33-850-389	1.000	105.00
EC1189A02SP	61B2D120189NNBA ELEC CAP, 189-227MFD, 12	1.000	23.00
34CB3002A64	CB W/.69 DIA @ 6	1.000	11.00
34GS1029A01	GASKET, CONDUIT BOX	1.000	2.00
51XB1016A07	10-16 X 7/16 HXWSSLD SERTYB	2.000	2.00
11XW1032G06	10-32 X .38, TAPTITE II, HEX WSHR SLTD U	1.000	3.00
51XW0832A07	8-32 X .44, TAPTITE II, HEX WSHR SLTD SE	2.000	2.00
34CB4800SP	CAPACITOR COVER, STAMPED X X	1.000	20.00
34GS3000SP	GASKET, CAPACITOR BOX X X	1.000	3.00
51XB1016A04	10-16 X 1/4 HX WA SL SR TYB (F/S)	2.000	2.00
HW5100A03SP	WAVY WASHER (W1543-017)	1.000	2.00
33EP3100A02	PU ENDPLATE, MACH	1.000	49.00
XY1032A02	10-32 HEX NUT DIRECTIONAL SERRATION	2.000	2.00
33FN3000SP	EXTERNAL FAN, PLASTIC	1.000	16.00
12XN0832A16	8-32 X 1.00" SLT HEX HD ZINC PLATED	1.000	2.00
HW1003A08	WASHER, #8 EX TH LK, ZN (F/S)	1.000	2.00
XY0832A02	8-32 HEX NUT	1.000	2.00
33FH4001A01	FAN COVER, STAMPED	1.000	29.00
11XT1032A06	10-32 X 3/8 HX WSHR HD SLTD TYPE 23	3.000	3.00
34CB4517	CB LID 4 MTG HOLES .22 DIA STAMPED, FOR	1.000	5.00
34GS1031A01	GASKET, FLAT CONDUIT BOX LID (LEXIDE)	1.000	2.00
51XW0832A07	8-32 X .44, TAPTITE II, HEX WSHR SLTD SE	4.000	2.00
SP5073A12	MODEL 33L STATIONARY SWITCH 4.5"-#E & 11	1.000	18.00

Parts List (continued)			
Product ID	Description	Quantity	List Price
HA3100A11	THRUBOLT 10-32 X 6.750	2.000	4.00
LB1125C01	STD (STOCK) CARTON LABEL BALDOR WITH FLA	1.000	2.00
LC0001A01	CONN LABEL / WARNING LABEL (LC0001 / LB1	1.000	2.00
33EP3100A01SP	EP,33AC ODE GP 6203 TEFC W/DRAIN	1.000	52.00
MG1000G27	PAINT- S9282E CHARCOAL GREY	0.013	4,000.00
85XU0407S04	4X1/4 U DRIVE PIN STAINLESS	2.000	2.00
NP1256L	NP STD LASER ENGRAVED, UL CSA CC, W/O TH	1.000	3.00
34PA1002	PACKING GROUP, BALDOR	1.000	13.00

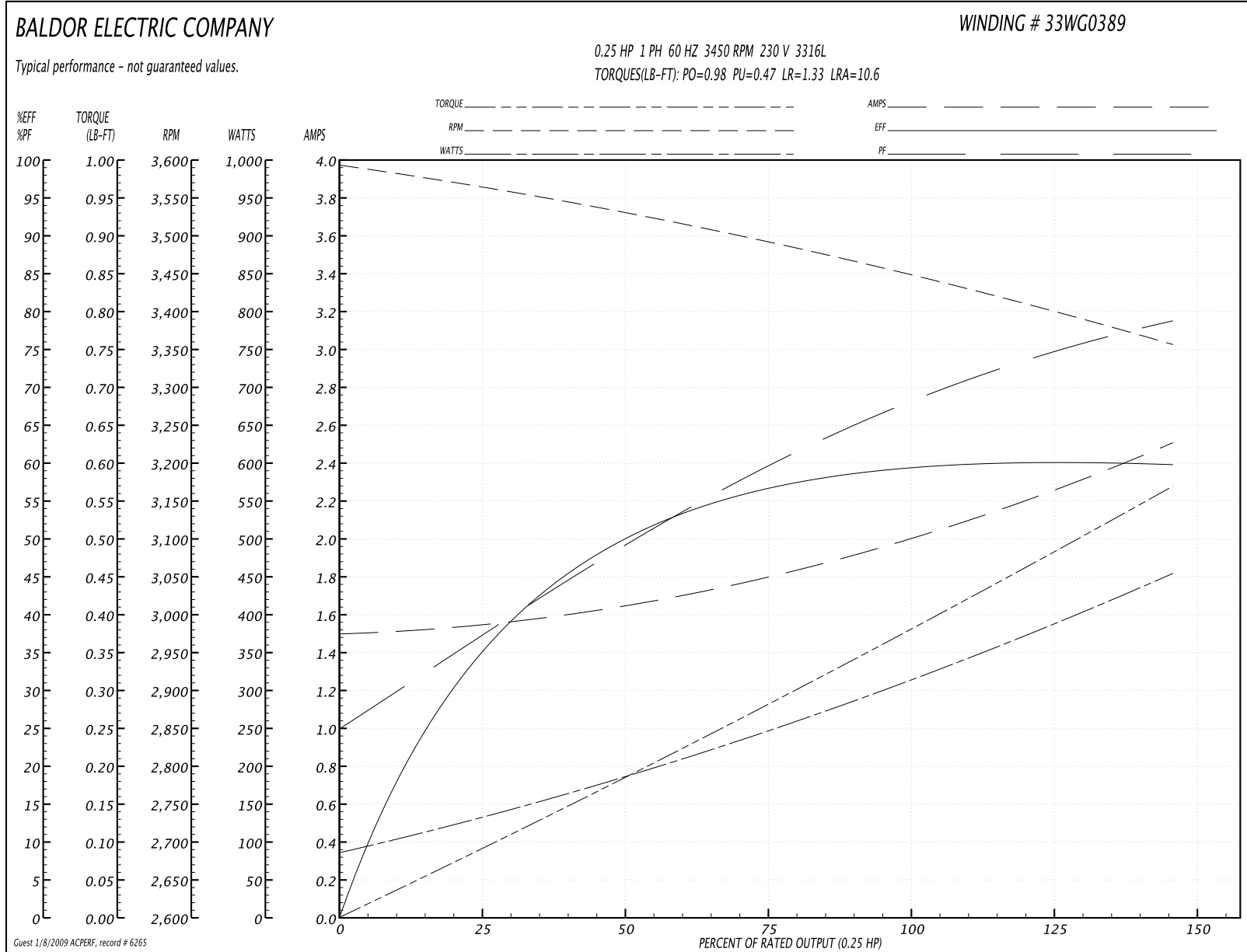
Performance Data at 230V, 60Hz, 0.25HP (Typical performance - Not guaranteed values)
General Characteristics

Full Load Torque:	0.38 LB-FT	Start Configuration:	DOL
No-Load Current:	1.5 Amps	Break-Down Torque:	0.98 LB-FT
Line-line Res. @ 25°C.:	7.72 Ohms A Ph / 5.3 Ohms B Ph	Pull-Up Torque:	0.47 LB-FT
Temp. Rise @ Rated Load:	42°C	Locked-Rotor Torque:	1.33 LB-FT
Temp. Rise @ S.F. Load:	57°C	Starting Current:	10.6 Amps

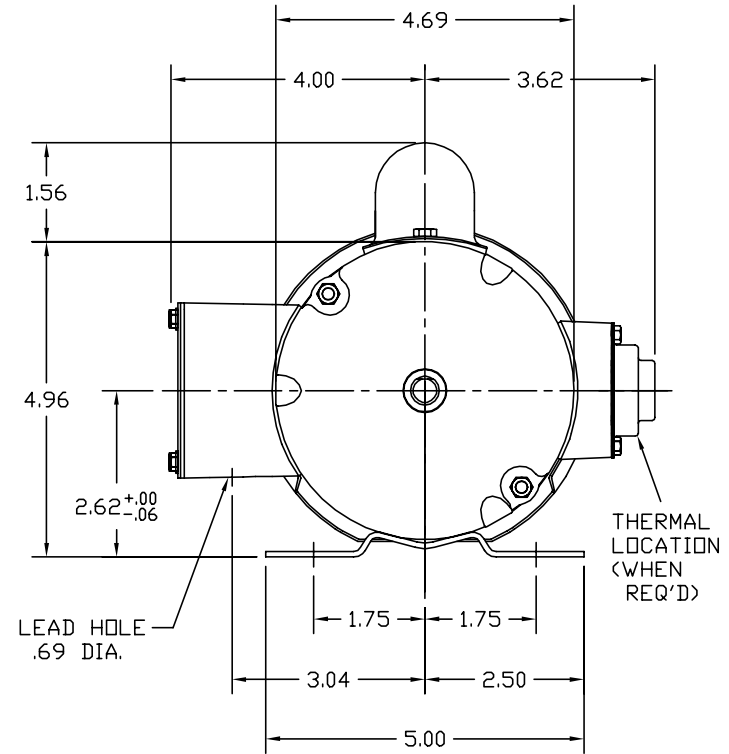
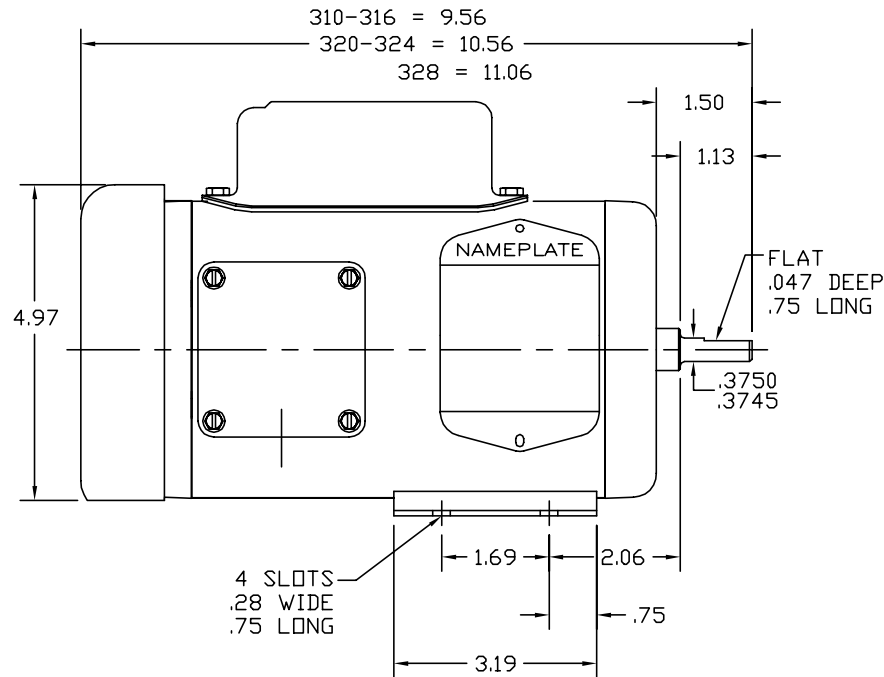
Load Characteristics

% of Rated Load:	25	50	75	100	125	150	S.F.
Power Factor:	42.0	52.0	61.0	68.0	73.0	77.0	75.0
Efficiency:	38.7	49.2	55.9	59.9	60.2	59.8	60.0
Speed:	3555.0	3528.0	3496.0	3452.0	3400.0	3357.0	3383.0
Line Amperes:	1.55	1.65	1.8	2.0	2.25	2.5	2.3

Performance Graph at 230V, 60Hz, 0.25HP (Typical performance - Not guaranteed values)



33LY0850



CUSTOMER IS RESPONSIBLE FOR DETERMINING THAT MOTOR PERFORMANCE IS SUITABLE IN THE APPLICATION.

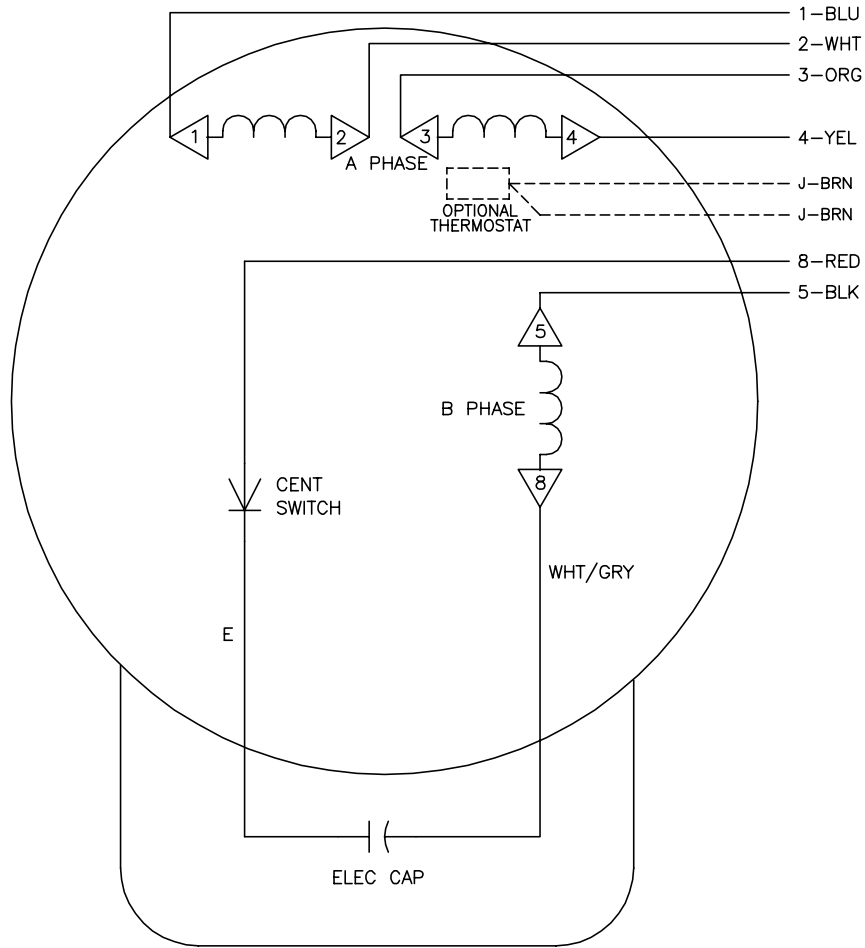
REV. DESC: CHG'D OVERALL DIMS DUE TO REVISED FH			
REV. LTR: M	BY: BWB	REVISED: 09:53:32 05/10/2002	TDR: 258278
0980A733		FILE: AAA00001149	REF: 33LY0850
		MTL: -	

BALDOR ELECTRIC Co.

STANDARD HORZ MODEL 33L NEMA 42 TEFC


33LY0850

CD0001A10



	LINE A	LINE B	JOIN
HIGH STD	1	4,5	2,3,8
HIGH OPP	1	4,8	2,3,5
LOW STD	1,3,8	2,4,5	-
LOW OPP	1,3,5	2,4,8	-

NOTES:

1. STANDARD ROTATION IS CCW FACING LEAD END
2. OPTIONAL THERMOSTAT IS PROVIDED WHEN SPECIFIED.
3. MULTIPLE CAPACITORS ARE CONNECTED IN PARALLEL UNLESS OTHERWISE SPECIFIED.
4. LEAD COLORS ARE OPTIONAL. LEADS MUST ALWAYS BE NUMBERED AS SHOWN.
5.  = MAGNET WIRE COIL END WITH I.D. NUMBER

REV. DESC: NEW			
REV. LTR: -	VERSION: 00	TDR: 000000435106	
01V100000	FILE: \CKA\00032\277	REVISED: 10:15:16 06/19/2007	
	MTL: -	BY: CKNTLO	

Baldor • Dodge • Reliance

TYPE L, DV, REV, 6 LD, CK

CD0001A10