



BALDOR® • *RELIANCE*

Product Information Packet

L3403

.25HP,1725RPM,1PH,60HZ,48,3411L,TEFC,F1

Product Detail							
Revision:	Q	Status:	PRD/A	Change #:		Proprietary:	No
Type:	AC	Prod Type:	3411L	Elec. Spec:	34WG5506	CD Diagram:	CD0001
Enclosure	TEFC	Mfg Plant:		Mech Spec:	34C051	Layout:	34LYC051
Frame:	48	Mounting:	F1	Poles:	04	Created Date:	
Base:	RG	Rotation:	R	Insulation:	B	Eff. Date:	07-08-2008
Leads:	6#18	Literature:		Elec. Diagram:		Replaced By:	

Nameplate NP1256L									
CAT.NO.	L3403								
SPEC.	34C51-5506								
HP	.25								
VOLTS	115/230								
AMP	5/2.5								
RPM	1725								
FRAME	48	HZ			60	PH	1		
SER.F.	1.35	CODE			L	DES	N	CLASS	B
NEMA-NOM-EFF	55	PF			57				
RATING	40C AMB-CONT								
CC				USABLE AT 208V		3			
DE	6203	ODE			6203				
ENCL	TEFC	SN							
	SFA 5.6/2.8								

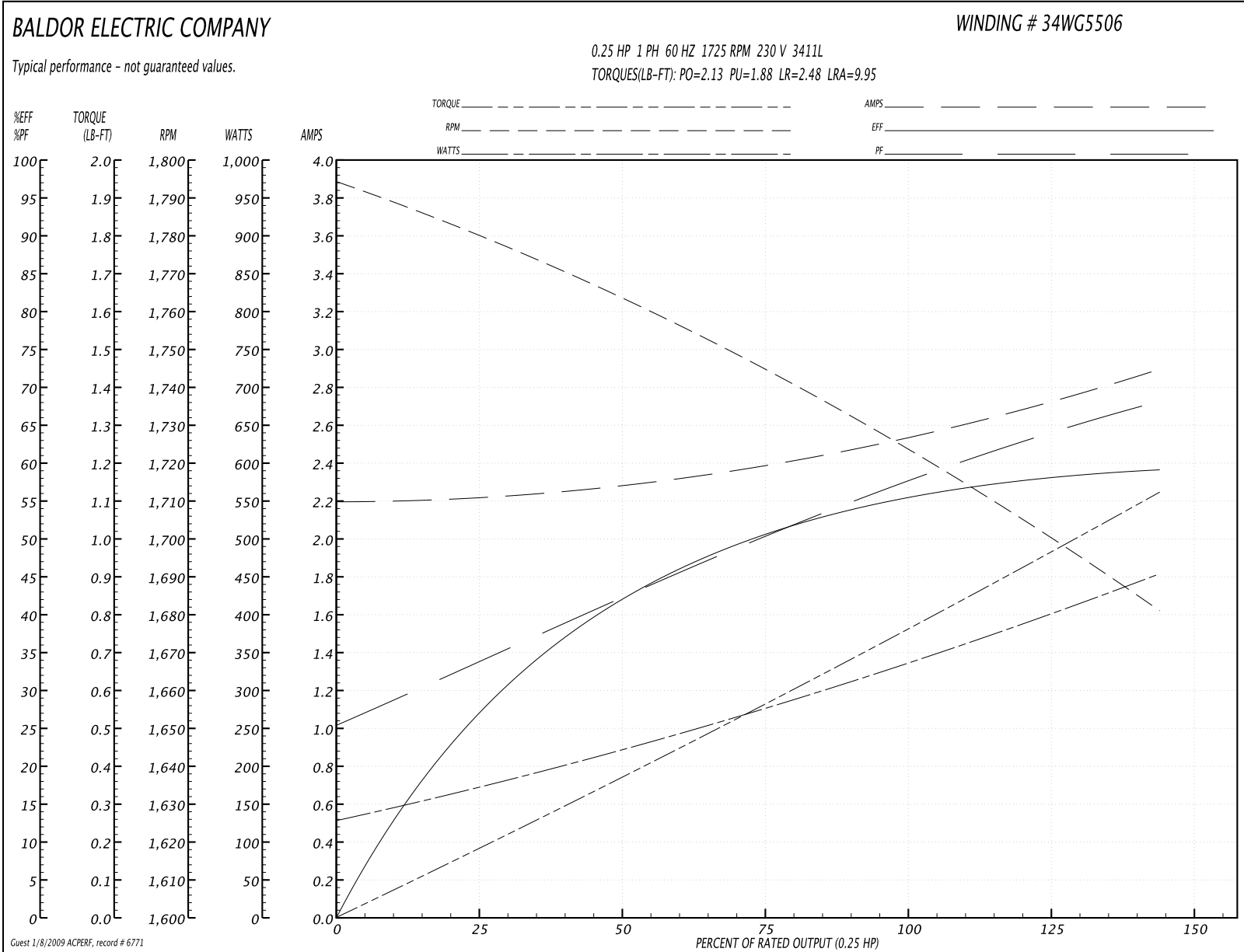
Parts List			
Product ID	Description	Quantity	List Price
SA008575	SA 34C51-5506	1.000	159.00
RA005022	RA 34C51-5506	1.000	133.00
EC1161A02	BMI 091A161B125AD2A ELEC CAP 115V 1.4 X	1.000	14.00
NS2512A01	INSULATOR, CONDUIT BOX X X	1.000	2.00
34CB3002A	CB CAST W/.88 DIA HOLE	1.000	13.00
34GS1029A01	GASKET, CONDUIT BOX	1.000	2.00
51XB1016A07	10-16 X 7/16 HXWSSLD SERTYB	2.000	2.00
11XW1032G06	10-32 X .38, TAPTITE II, HEX WSHR SLTD U	1.000	3.00
51XW0832A07	8-32 X .44, TAPTITE II, HEX WSHR SLTD SE	2.000	2.00
34EP3102A01SP	FR ENDPLATE, MACH	1.000	68.00
NS2500A01	INSULATOR, AUTO THER PROT	1.000	2.00
WD1000A03	41531 AMP FLG.TERM(4M/RL)1 MILLION PER Y	1.000	2.00
34CB4800SP	CAPACITOR COVER,STAMPED X X	1.000	20.00
34GS3000SP	GASKET, CAPACITOR BOX X X	1.000	3.00
51XB1016A05	10-16X5/16HX WA SL SR TYB (F/S)	2.000	2.00
HW5100A03SP	WAVY WASHER (W1543-017)	1.000	2.00
34EP3102A02SP	FR/PU ENDPLATE, MACH	1.000	24.00
XY1032A02	10-32 HEX NUT DIRECTIONAL SERRATION	4.000	2.00
34FN3002A01SP	EXTERNAL FAN, PLASTIC, .637/.639 HUB W/	1.000	14.00
34FH4002A01SP	IEC FH NO GREASER	1.000	23.00
51XW1032A06	10-32 X .38, TAPTITE II, HEX WSHR SLTD S	3.000	3.00
34CB4517	CB LID 4 MTG HOLES .22 DIA STAMPED, FOR	1.000	5.00
34GS1031A01	GASKET, FLAT CONDUIT BOX LID (LEXIDE)	1.000	2.00
51XW0832A07	8-32 X .44, TAPTITE II, HEX WSHR SLTD SE	4.000	2.00

Parts List (continued)			
Product ID	Description	Quantity	List Price
MG1000G27	PAINT- S9282E CHARCOAL GREY	0.014	4,000.00
10XF0440S02	04-40 X 1/8 TYPE F HEX HD STAINLESS STIC	2.000	2.00
SP5056A24	MODEL 34 TYPE L STATIONARY SWITCH WITH L	1.000	18.00
HA3100A12	THRUBOLT 10-32 X 7.375	4.000	2.00
LB1125C01	STD (STOCK) CARTON LABEL BALDOR WITH FLA	1.000	2.00
LC0001A01	CONN LABEL / WARNING LABEL (LC0001 / LB1	1.000	2.00
NP1256L	NP STD LASER ENGRAVED, UL CSA CC, W/O TH	1.000	3.00
34PA1002	PACKING GROUP, BALDOR	1.000	13.00

Performance Data at 230V, 60Hz, 0.25HP (Typical performance - Not guaranteed values)

General Characteristics							
Full Load Torque:	0.75 LB-FT			Start Configuration:	DOL		
No-Load Current:	2.2 Amps			Break-Down Torque:	2.13 LB-FT		
Line-line Res. @ 25°C.:	8.88 Ohms A Ph / 7.06 Ohms B Ph			Pull-Up Torque:	1.88 LB-FT		
Temp. Rise @ Rated Load:	42°C			Locked-Rotor Torque:	2.48 LB-FT		
Temp. Rise @ S.F. Load:	50°C			Starting Current:	9.95 Amps		
Load Characteristics							
% of Rated Load:	25	50	75	100	125	150	S.F.
Power Factor:	31.0	40.0	49.0	57.0	63.0	69.0	67.0
Efficiency:	27.0	42.0	51.0	55.0	58.0	59.0	59.0
Speed:	1779.0	1763.0	1745.0	1725.0	1705.0	1680.0	1690.0
Line Amperes:	2.2	2.3	2.4	2.5	2.7	2.9	2.8

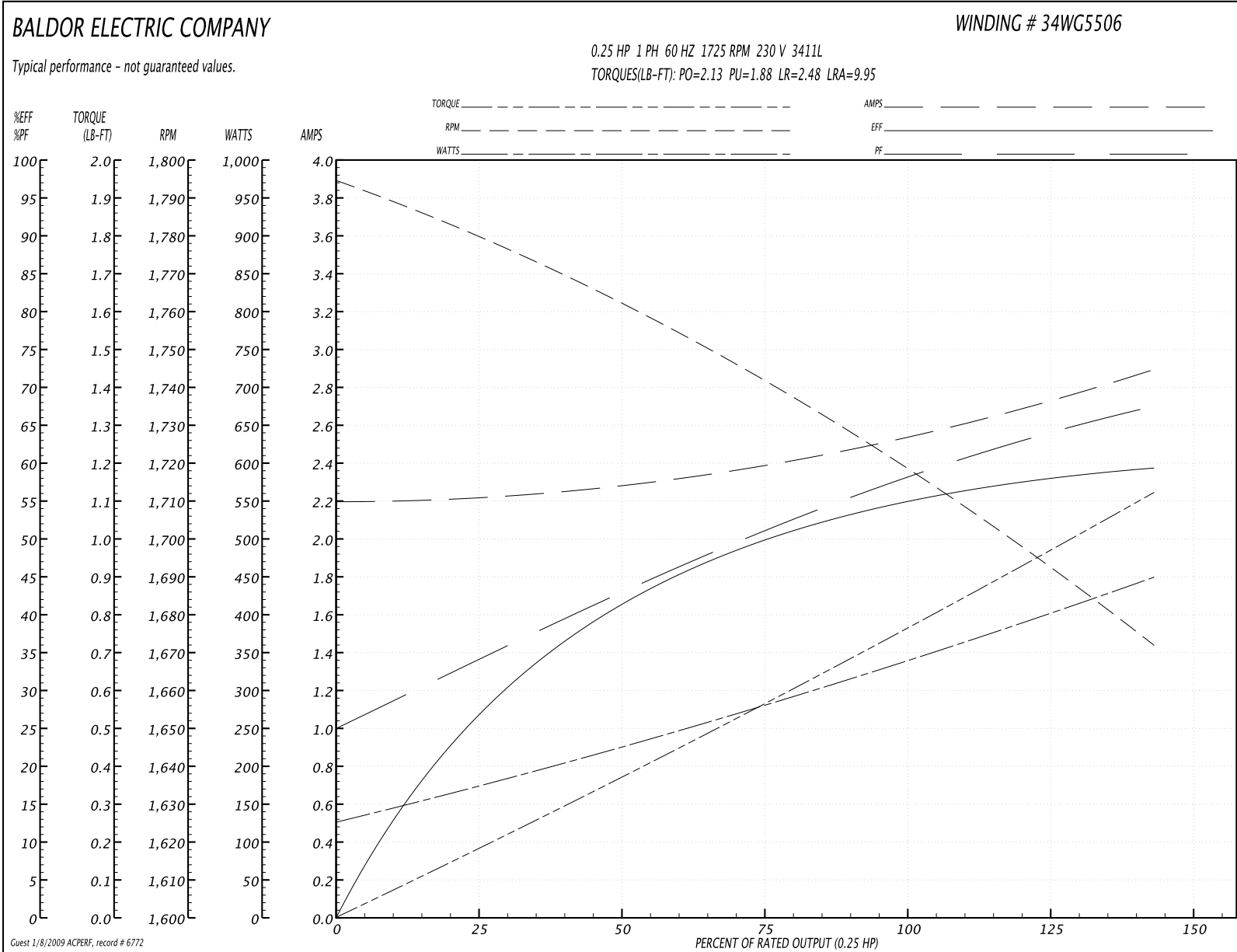
Performance Graph at 230V, 60Hz, 0.25HP (Typical performance - Not guaranteed values)



Performance Data at 230V, 60Hz, 0.25HP (Typical performance - Not guaranteed values)

General Characteristics							
Full Load Torque:	0.75 LB-FT			Start Configuration:	DOL		
No-Load Current:	2.2 Amps			Break-Down Torque:	2.13 LB-FT		
Line-line Res. @ 25°C.:	8.88 Ohms A Ph / 7.06 Ohms B Ph			Pull-Up Torque:	1.88 LB-FT		
Temp. Rise @ Rated Load:	57°C			Locked-Rotor Torque:	2.48 LB-FT		
Temp. Rise @ S.F. Load:	70°C			Starting Current:	9.95 Amps		
Load Characteristics							
% of Rated Load:	25	50	75	100	125	150	S.F.
Power Factor:	32.0	40.0	49.0	57.0	63.0	69.0	67.0
Efficiency:	28.0	40.0	50.0	55.0	58.0	59.0	59.0
Speed:	1779.0	1763.0	1740.0	1720.0	1700.0	1670.0	1680.0
Line Amperes:	2.2	2.3	2.4	2.5	2.7	2.9	2.8

Performance Graph at 230V, 60Hz, 0.25HP (Typical performance - Not guaranteed values)



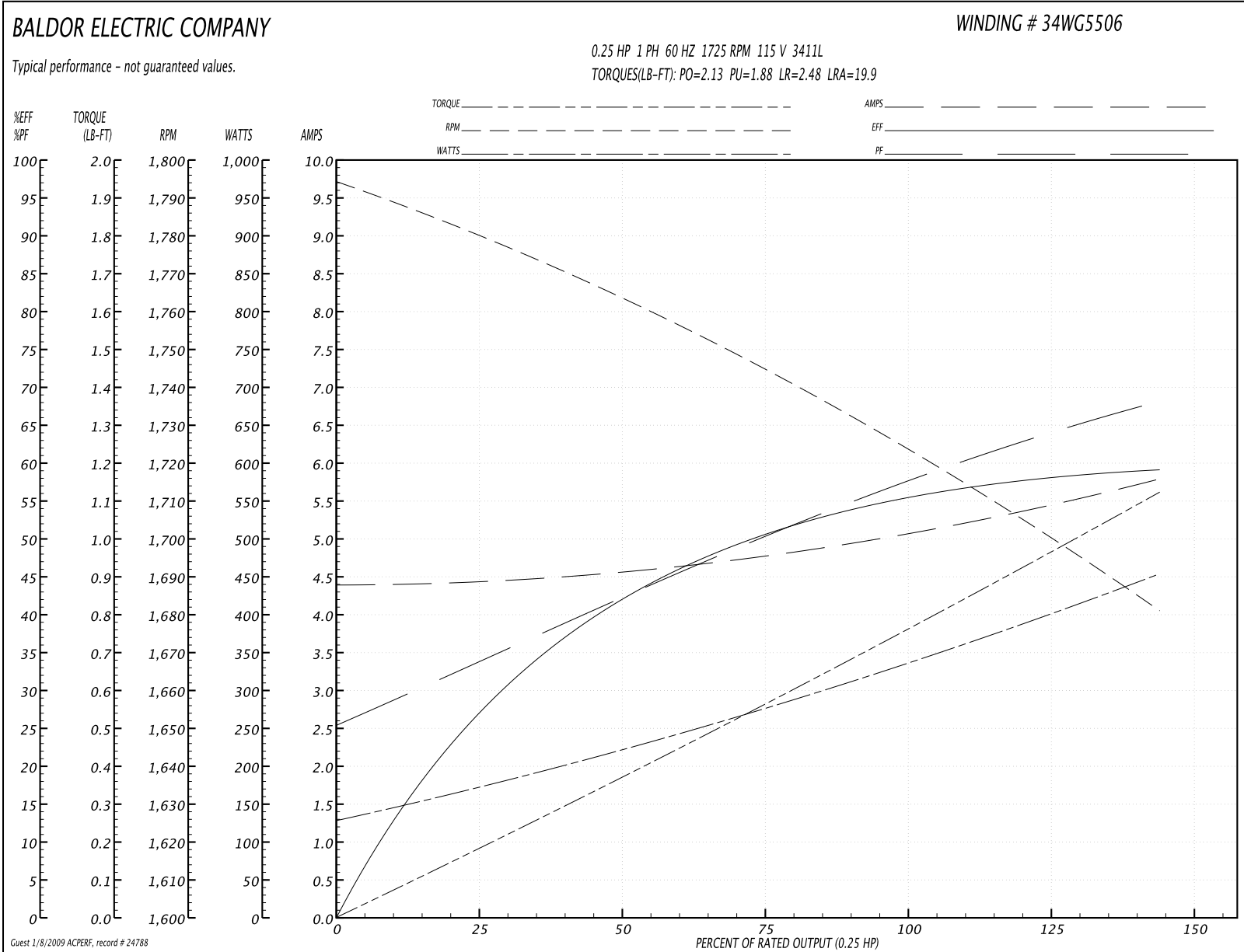
Performance Data at 115V, 60Hz, 0.25HP (Typical performance - Not guaranteed values)
General Characteristics

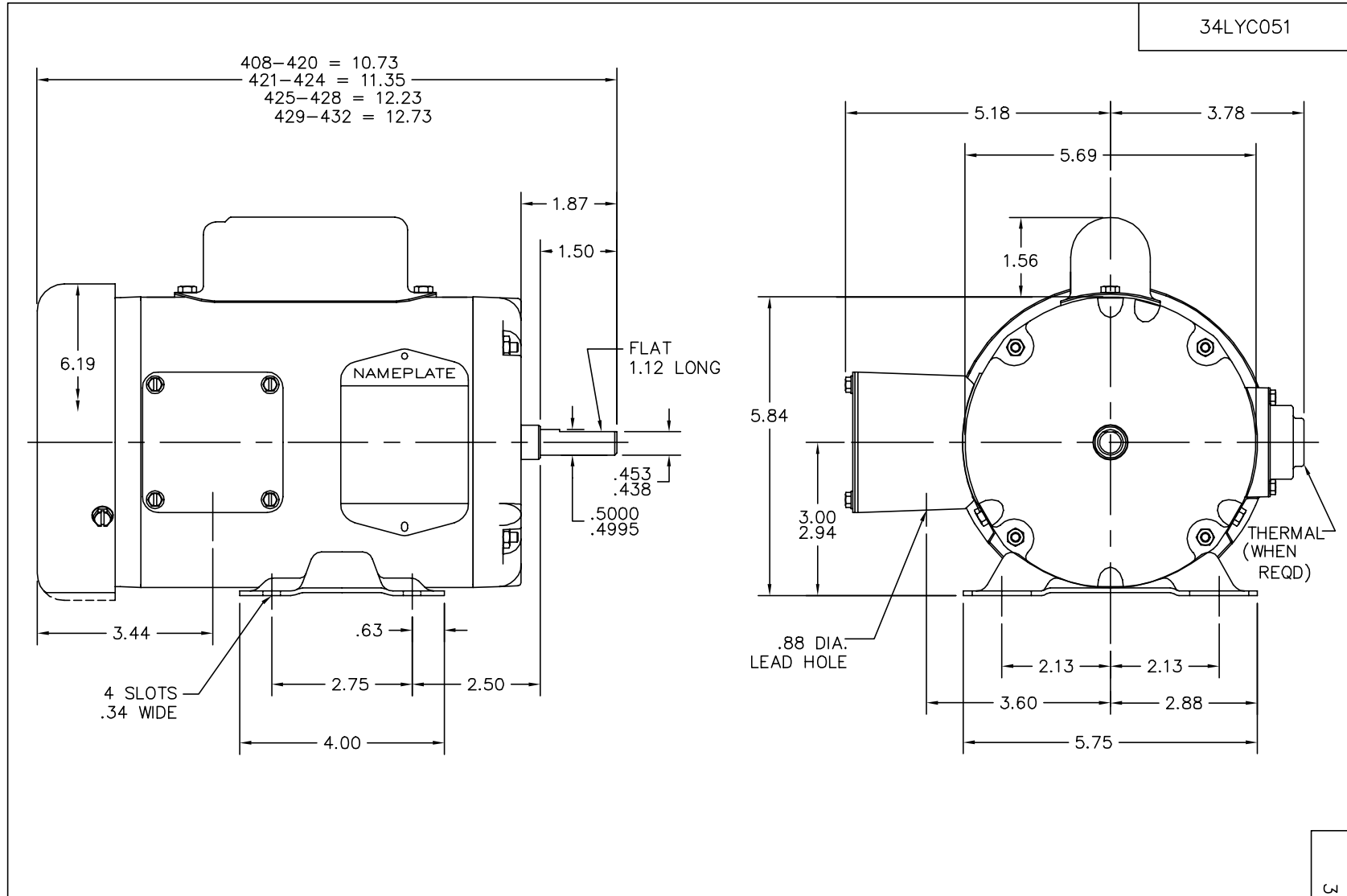
Full Load Torque:	0.75 LB-FT	Start Configuration:	DOL
No-Load Current:	4.4 Amps	Break-Down Torque:	2.13 LB-FT
Line-line Res. @ 25°C.:	2.22 Ohms A Ph / 7.06 Ohms B Ph	Pull-Up Torque:	1.88 LB-FT
Temp. Rise @ Rated Load:	42°C	Locked-Rotor Torque:	2.48 LB-FT
Temp. Rise @ S.F. Load:	50°C	Starting Current:	19.9 Amps

Load Characteristics

% of Rated Load:	25	50	75	100	125	150	S.F.
Power Factor:	31.0	40.0	49.0	57.0	63.0	69.0	67.0
Efficiency:	27.0	42.0	51.0	55.0	58.0	59.0	59.0
Speed:	1779.0	1763.0	1745.0	1725.0	1705.0	1680.0	1690.0
Line Amperes:	4.4	4.6	4.8	5.0	5.4	5.8	5.6

Performance Graph at 115V, 60Hz, 0.25HP (Typical performance - Not guaranteed values)





CUSTOMER IS RESPONSIBLE FOR DETERMINING THAT MOTOR PERFORMANCE IS SUITABLE IN THE APPLICATION.

REV. DESC: UPDATE DRAWING'S PARTS

REV. LTR: K

VERSION: 03

TDR: 000000450150

BALDOR • DODGE • RELIANCE

34LYC051

FILE: \AAA\00025\908

REVISED: 06:32:21 01/09/2008

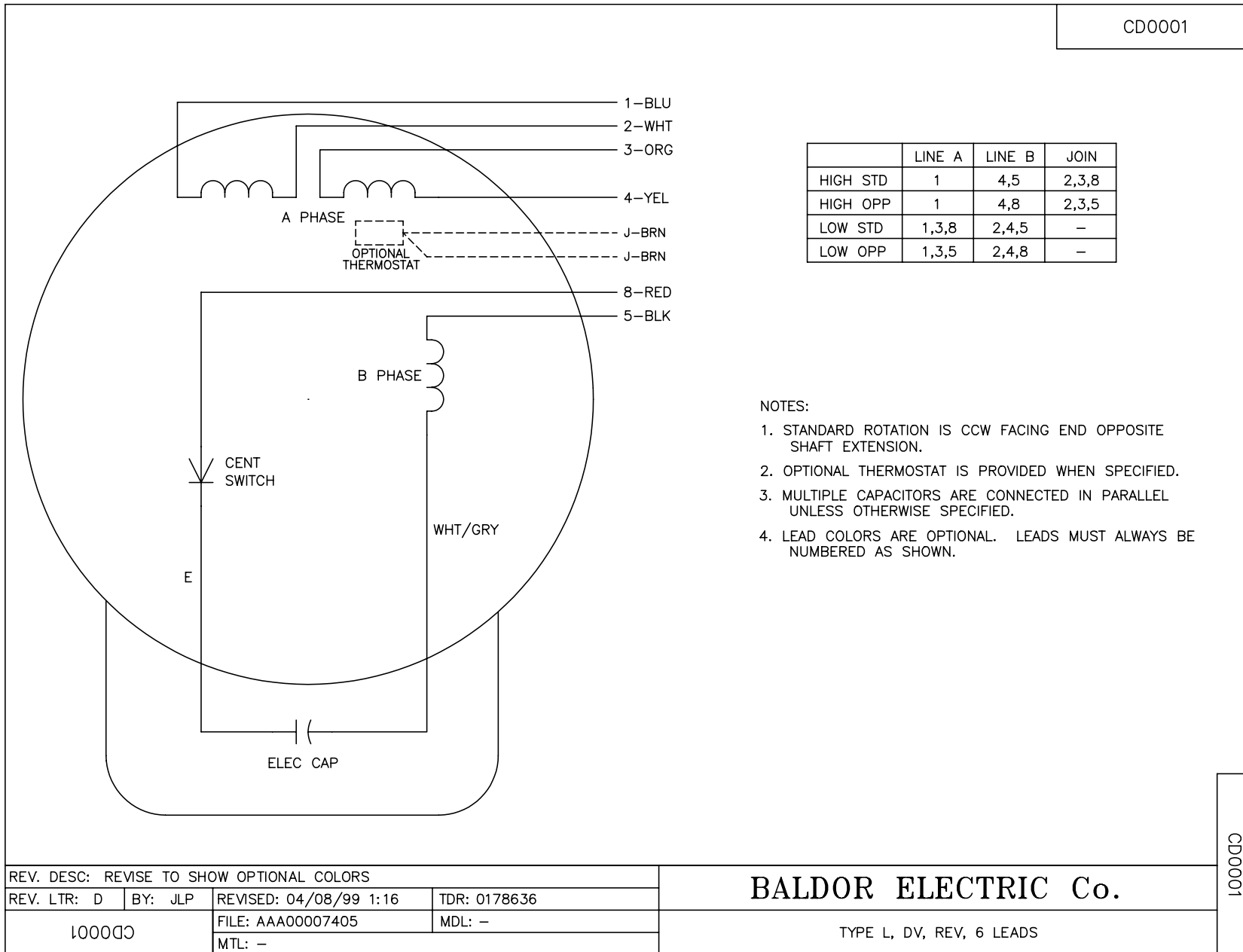
MTL: -

BY: ENROSTO

STD HORZ MODEL 34L NEMA 48 TEFC

34LYC051

CD0001



NOTES:

1. STANDARD ROTATION IS CCW FACING END OPPOSITE SHAFT EXTENSION.
2. OPTIONAL THERMOSTAT IS PROVIDED WHEN SPECIFIED.
3. MULTIPLE CAPACITORS ARE CONNECTED IN PARALLEL UNLESS OTHERWISE SPECIFIED.
4. LEAD COLORS ARE OPTIONAL. LEADS MUST ALWAYS BE NUMBERED AS SHOWN.

REV. DESC: REVISE TO SHOW OPTIONAL COLORS			
REV. LTR: D	BY: JLP	REVISED: 04/08/99 1:16	TDR: 0178636
100000		FILE: AAA00007405	MDL: -
		MTL: -	

BALDOR ELECTRIC Co.

TYPE L, DV, REV, 6 LEADS

CD0001