



# **BALDOR® • *RELIANCE***

## **Product Information Packet**

### **L3406**

**.33HP,1725RPM,1PH,60HZ,48,3414L,TEFC,F1**

Product Detail							
Revision:	P	Status:	PRD/A	Change #:		Proprietary:	No
Type:	AC	Prod Type:	3414L	Elec. Spec:	34WG5507	CD Diagram:	CD0001
Enclosure	TEFC	Mfg Plant:		Mech Spec:	34C051	Layout:	34LYC051
Frame:	48	Mounting:	F1	Poles:	04	Created Date:	
Base:	RG	Rotation:	R	Insulation:	B	Eff. Date:	08-19-2008
Leads:	6#18	Literature:		Elec. Diagram:		Replaced By:	

Nameplate NP1256L									
CAT.NO.	L3406								
SPEC.	34C51-5507								
HP	.33								
VOLTS	115/230								
AMP	6/3								
RPM	1725								
FRAME	48	HZ			60	PH	1		
SER.F.	1.35	CODE			L	DES	N	CLASS	B
NEMA-NOM-EFF	60	PF			60				
RATING	40C AMB-CONT								
CC				USABLE AT 208V		3.6			
DE	6203	ODE			6203				
ENCL	TEFC	SN							
	SFA 6.8/3.4								

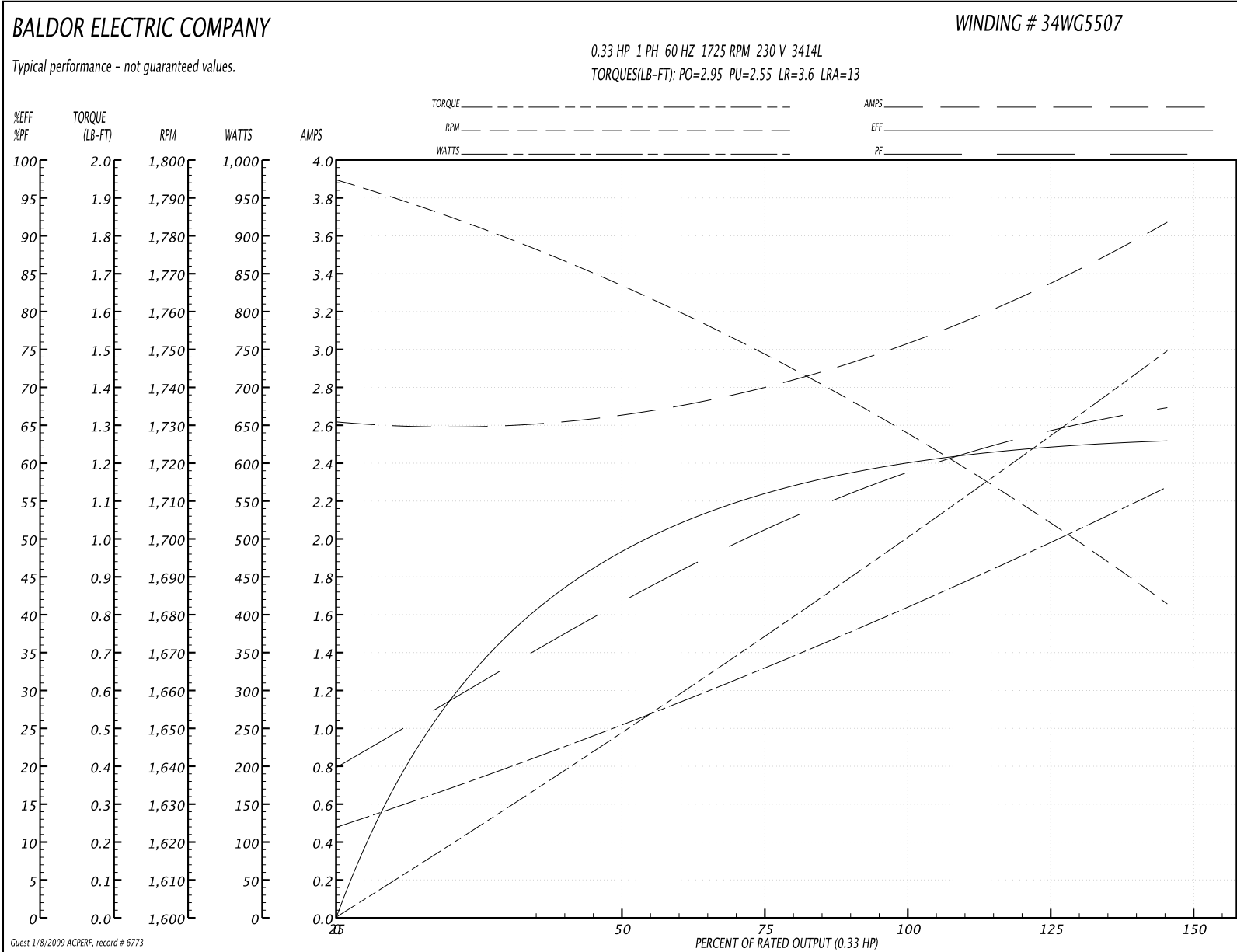
<b>Parts List</b>			
<b>Product ID</b>	<b>Description</b>	<b>Quantity</b>	<b>List Price</b>
SA008577	SA 34C51-5507	1.000	168.00
RA005024	RA 34C51-5507	1.000	140.00
EC1189A02SP	61B2D120189NNBA ELEC CAP, 189-227MFD, 12	1.000	23.00
NS2512A01	INSULATOR, CONDUIT BOX X X	1.000	2.00
34CB3002A	CB CAST W/.88 DIA HOLE	1.000	13.00
34GS1029A01	GASKET, CONDUIT BOX	1.000	2.00
51XB1016A07	10-16 X 7/16 HXWSSLD SERTYB	2.000	2.00
11XW1032G06	10-32 X .38, TAPTITE II, HEX WSHR SLTD U	1.000	3.00
51XW0832A07	8-32 X .44, TAPTITE II, HEX WSHR SLTD SE	2.000	2.00
34EP3102A01SP	FR ENDPLATE, MACH	1.000	68.00
NS2500A01	INSULATOR, AUTO THER PROT	1.000	2.00
WD1000A03	41531 AMP FLG.TERM(4M/RL)1 MILLION PER Y	1.000	2.00
34CB4800SP	CAPACITOR COVER,STAMPED X X	1.000	20.00
34GS3000SP	GASKET, CAPACITOR BOX X X	1.000	3.00
51XB1016A05	10-16X5/16HX WA SL SR TYB (F/S)	2.000	2.00
HW5100A03SP	WAVY WASHER (W1543-017)	1.000	2.00
34EP3102A02SP	FR/PU ENDPLATE, MACH	1.000	24.00
XY1032A02	10-32 HEX NUT DIRECTIONAL SERRATION	4.000	2.00
34FN3002A01SP	EXTERNAL FAN, PLASTIC, .637/.639 HUB W/	1.000	14.00
34FH4002A01SP	IEC FH NO GREASER	1.000	23.00
51XW1032A06	10-32 X .38, TAPTITE II, HEX WSHR SLTD S	3.000	3.00
34CB4517	CB LID 4 MTG HOLES .22 DIA STAMPED, FOR	1.000	5.00
34GS1031A01	GASKET, FLAT CONDUIT BOX LID (LEXIDE)	1.000	2.00
51XW0832A07	8-32 X .44, TAPTITE II, HEX WSHR SLTD SE	4.000	2.00

<b>Parts List (continued)</b>			
<b>Product ID</b>	<b>Description</b>	<b>Quantity</b>	<b>List Price</b>
MG1000G27	PAINT- S9282E CHARCOAL GREY	0.014	4,000.00
10XF0440S02	04-40 X 1/8 TYPE F HEX HD STAINLESS STIC	2.000	2.00
SP5056A24	MODEL 34 TYPE L STATIONARY SWITCH WITH L	1.000	18.00
HA3100A12	THRUBOLT 10-32 X 7.375	4.000	2.00
LB1125C01	STD (STOCK) CARTON LABEL BALDOR WITH FLA	1.000	2.00
LC0001A01	CONN LABEL / WARNING LABEL (LC0001 / LB1	1.000	2.00
NP1256L	NP STD LASER ENGRAVED, UL CSA CC, W/O TH	1.000	3.00
34PA1002	PACKING GROUP, BALDOR	1.000	13.00

**Performance Data at 230V, 60Hz, 0.33HP (Typical performance - Not guaranteed values)**

General Characteristics							
<b>Full Load Torque:</b>	1.0 LB-FT			<b>Start Configuration:</b>	DOL		
<b>No-Load Current:</b>	2.6 Amps			<b>Break-Down Torque:</b>	2.95 LB-FT		
<b>Line-line Res. @ 25°C.:</b>	6.32 Ohms A Ph / 4.93 Ohms B Ph			<b>Pull-Up Torque:</b>	2.55 LB-FT		
<b>Temp. Rise @ Rated Load:</b>	43°C			<b>Locked-Rotor Torque:</b>	3.6 LB-FT		
<b>Temp. Rise @ S.F. Load:</b>	53°C			<b>Starting Current:</b>	13.0 Amps		
Load Characteristics							
<b>% of Rated Load:</b>	<b>25</b>	<b>50</b>	<b>75</b>	<b>100</b>	<b>125</b>	<b>150</b>	<b>S.F.</b>
<b>Power Factor:</b>	31.0	41.0	51.0	60.0	66.0	72.0	70.0
<b>Efficiency:</b>	34.0	49.0	56.0	60.0	62.0	63.0	63.0
<b>Speed:</b>	1783.0	1765.0	1745.0	1730.0	1710.0	1680.0	1695.0
<b>Line Amperes:</b>	2.6	2.7	2.8	3.0	3.3	3.7	3.4

Performance Graph at 230V, 60Hz, 0.33HP (Typical performance - Not guaranteed values)



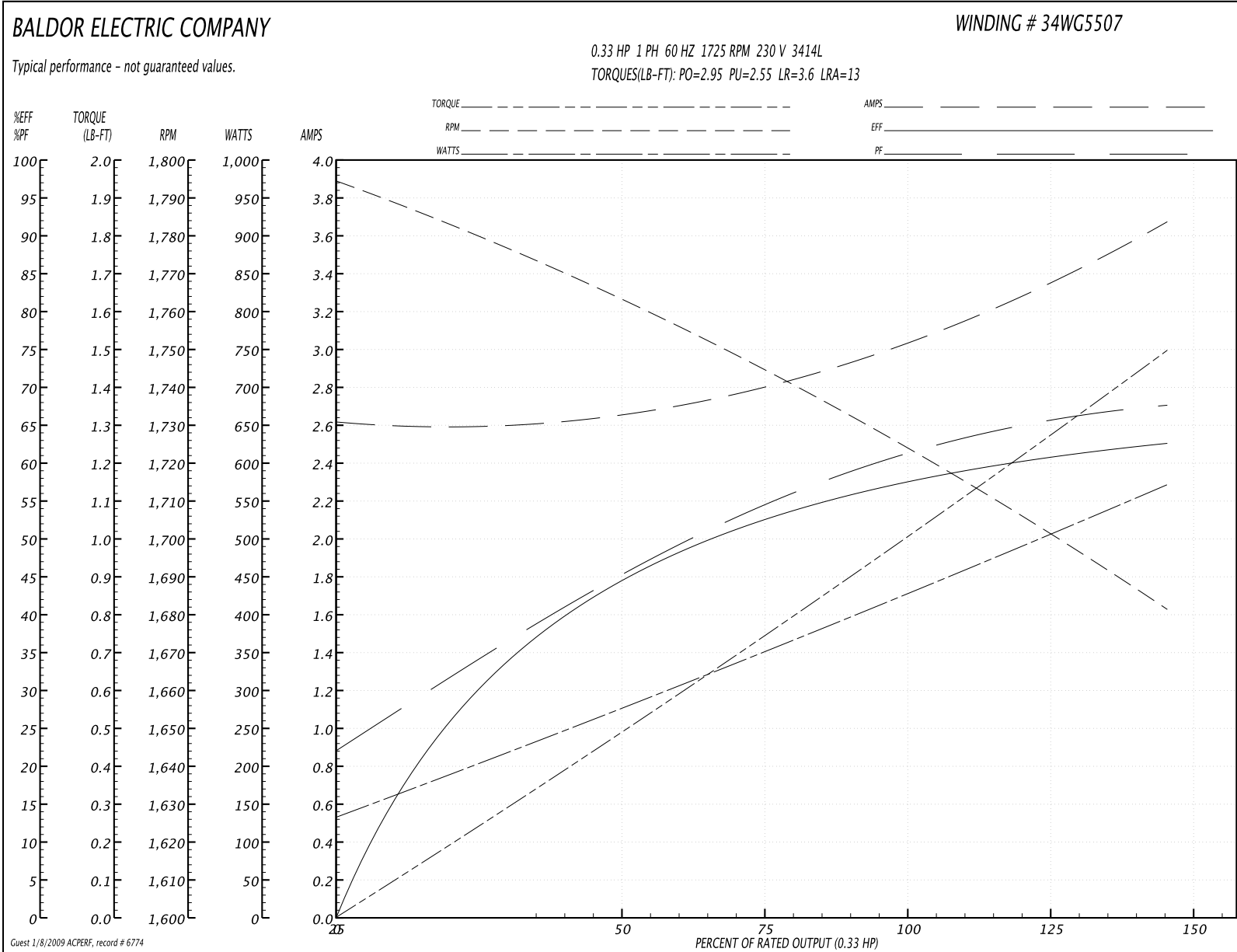
**Performance Data at 230V, 60Hz, 0.33HP (Typical performance - Not guaranteed values)**
**General Characteristics**

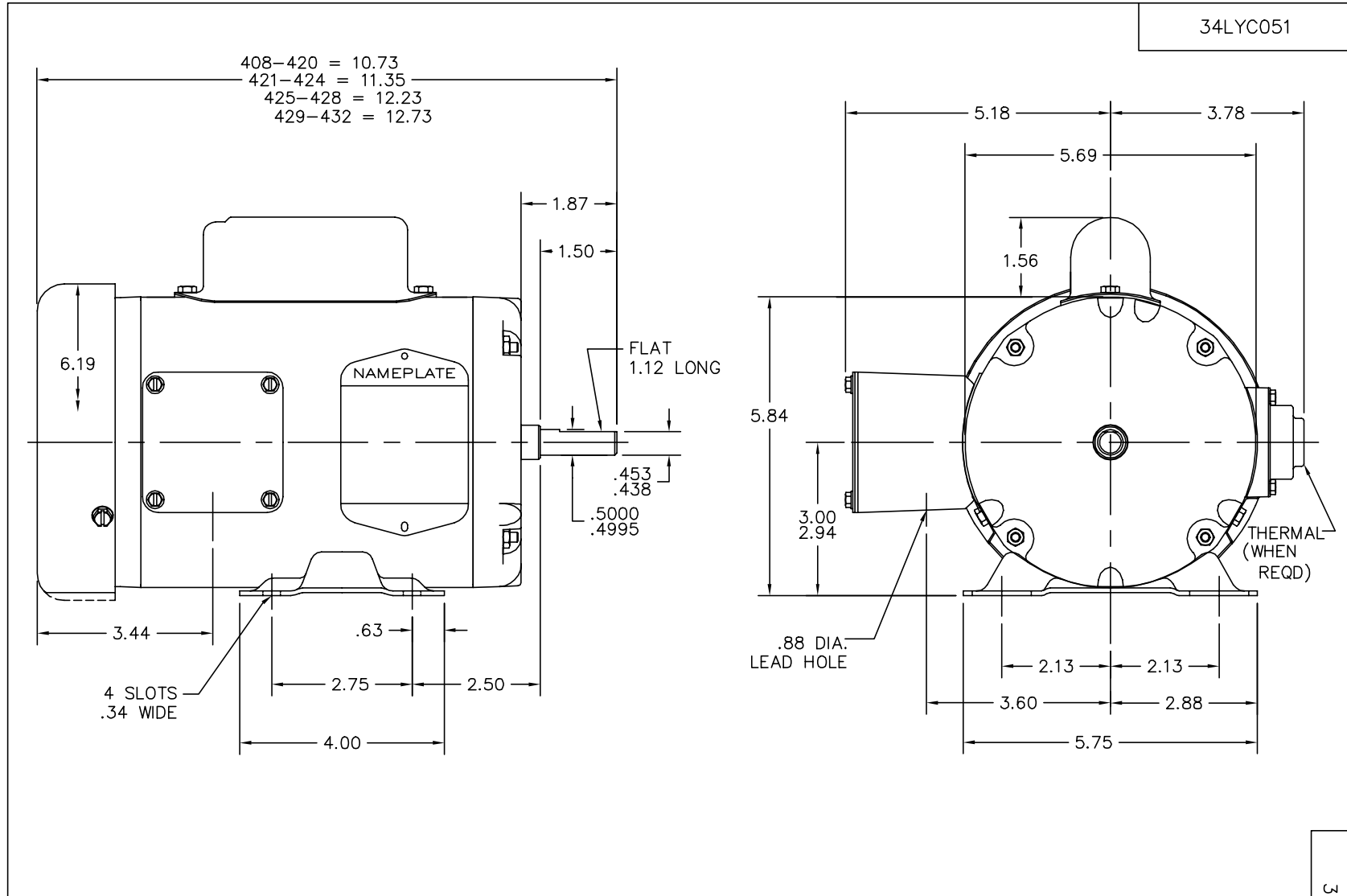
<b>Full Load Torque:</b>	1.0 LB-FT	<b>Start Configuration:</b>	DOL
<b>No-Load Current:</b>	2.6 Amps	<b>Break-Down Torque:</b>	2.95 LB-FT
<b>Line-line Res. @ 25°C.:</b>	6.32 Ohms A Ph / 4.93 Ohms B Ph	<b>Pull-Up Torque:</b>	2.55 LB-FT
<b>Temp. Rise @ Rated Load:</b>	59°C	<b>Locked-Rotor Torque:</b>	3.6 LB-FT
<b>Temp. Rise @ S.F. Load:</b>	73°C	<b>Starting Current:</b>	13.0 Amps

**Load Characteristics**

<b>% of Rated Load:</b>	<b>25</b>	<b>50</b>	<b>75</b>	<b>100</b>	<b>125</b>	<b>150</b>	<b>S.F.</b>
<b>Power Factor:</b>	31.0	41.0	52.0	60.0	67.0	73.0	71.0
<b>Efficiency:</b>	33.0	41.0	52.0	60.0	61.5	61.5	61.5
<b>Speed:</b>	1780.0	1760.0	1745.0	1725.0	1705.0	1680.0	1690.0
<b>Line Amperes:</b>	2.6	2.7	2.8	3.0	3.3	3.7	3.4

Performance Graph at 230V, 60Hz, 0.33HP (Typical performance - Not guaranteed values)





CUSTOMER IS RESPONSIBLE FOR DETERMINING THAT MOTOR PERFORMANCE IS SUITABLE IN THE APPLICATION.

REV. DESC: UPDATE DRAWING'S PARTS

REV. LTR: K

VERSION: 03

TDR: 000000450150

**BALDOR • DODGE • RELIANCE**

34LYC051

FILE: \AAA\00025\908

REVISED: 06:32:21 01/09/2008

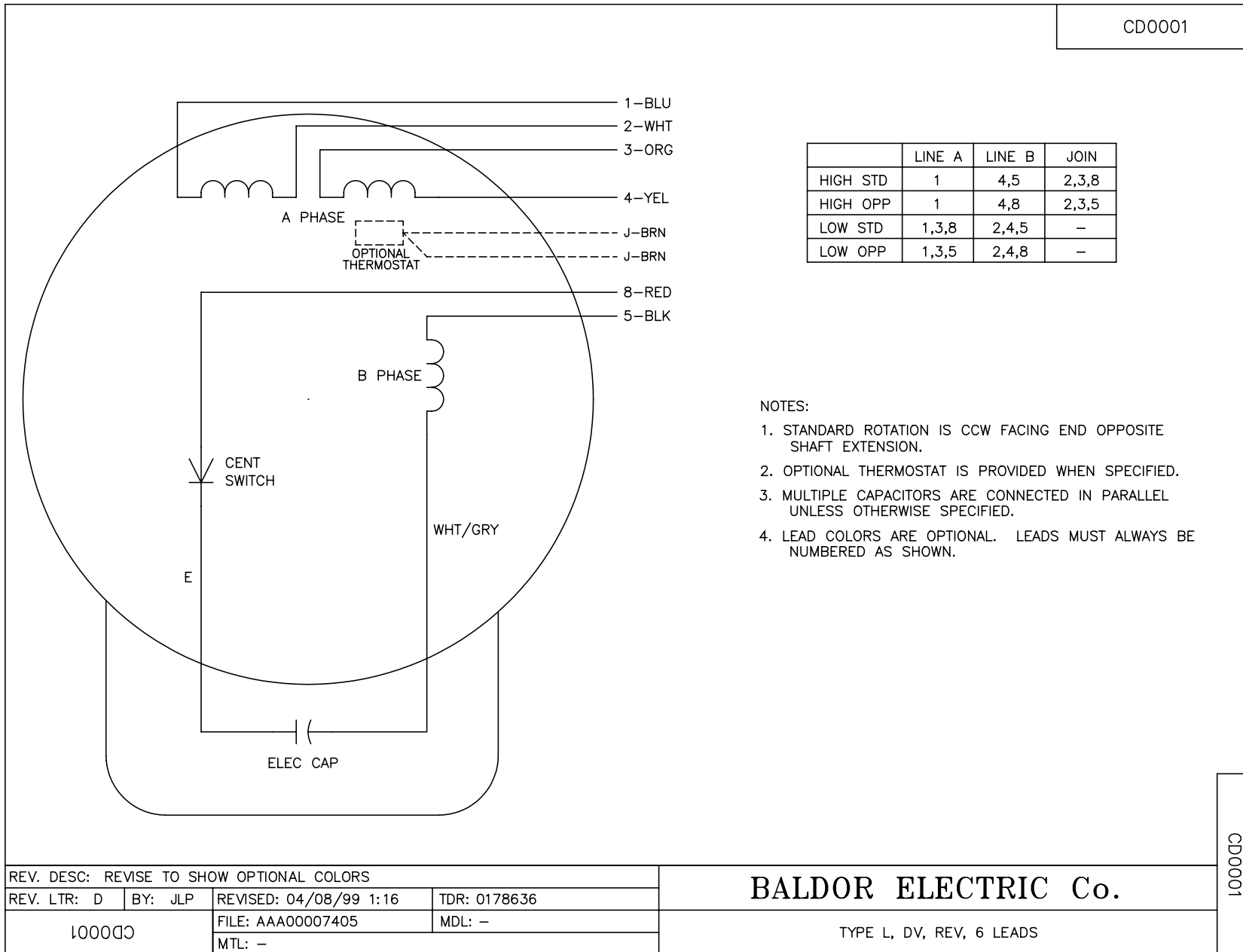
MTL: -

BY: ENROSTO

STD HORZ MODEL 34L NEMA 48 TEFC

34LYC051

CD0001



REV. DESC: REVISE TO SHOW OPTIONAL COLORS			
REV. LTR: D	BY: JLP	REVISED: 04/08/99 1:16	TDR: 0178636
100000		FILE: AAA00007405	MDL: -
		MTL: -	

**BALDOR ELECTRIC Co.**

TYPE L, DV, REV, 6 LEADS

CD0001