



BALDOR® • *RELIANCE*

Product Information Packet

L3612TM

5HP,1725RPM,1PH,60HZ,184T,3646LC,TEFC,F1

Product Detail							
Revision:	Q	Status:	PRD/A	Change #:		Proprietary:	No
Type:	AC	Prod Type:	3646LC	Elec. Spec:	36WGW279	CD Diagram:	CD0152
Enclosure	TEFC	Mfg Plant:		Mech Spec:	36G787	Layout:	36LYG787
Frame:	184T	Mounting:	F1	Poles:	04	Created Date:	
Base:	RG	Rotation:	R	Insulation:	F	Eff. Date:	06-20-2006
Leads:	2#10,3#16	Literature:		Elec. Diagram:		Replaced By:	

Nameplate NP1257L									
CAT.NO.	L3612TM								
SPEC.	36G787W279								
HP	5								
VOLTS	230								
AMP	23								
RPM	1725								
FRAME	184T	HZ			60	PH	1		
SER.F.	1.00	CODE			J	DES	L	CL	F
NEMA-NOM-EFF	80	PF			88				
RATING	40C AMB-CONT								
CC				USABLE AT 208V					
DE	6206	ODE			6205				
ENCL	TEFC	SN							

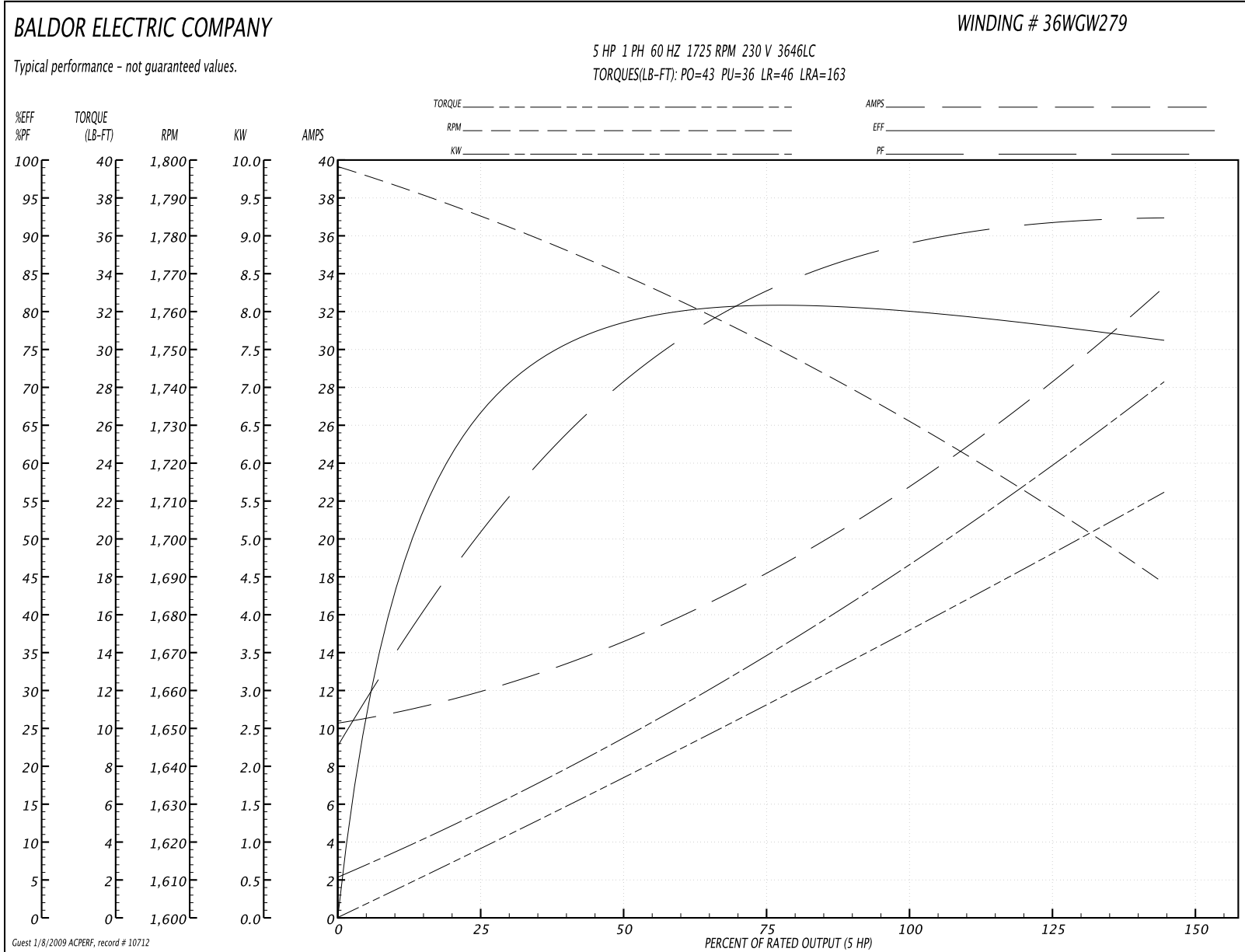
Parts List			
Product ID	Description	Quantity	List Price
SA034933	SA 36G787W279	1.000	620.00
RA030960	RA 36G787W279	1.000	517.00
OC3030F11SP	CYL OIL CAP 30MFD/370V	1.000	30.00
TPLED1027SP	THERMAL 1PH 1.5 MAN REF LED989 TDR #5817	1.000	93.00
EC1216C06SP	ELEC CAP, 216-259 MFD, 250V, 2.06D X 4.	2.000	42.00
TP5059	GENERIC THERMAL KIT	1.000	5.00
HW3200A01	3/8-16X3/4 I-BLT WELDED F/S	1.000	3.00
37CB3805A06	CAPAC BOX, DIECAST W/CAST LEAD & THERMAL	1.000	52.00
37GS3002	GASKET, CAPACITOR BOX	1.000	2.00
10XN2520A08	1/4-20X1/2 HEX HEAD CAP	4.000	2.00
HA2001A09	SPACER, .218 ID X .937 LG	2.000	2.00
RM1015	BOOT FOR MANUAL THERMALS	1.000	3.00
51XN1032A28	10-32 X 1 3/4 HX WS SL SR	2.000	2.00
XY1032A02	10-32 HEX NUT DIRECTIONAL SERRATION	2.000	2.00
11XW1032G06	10-32 X .38, TAPTITE II, HEX WSHR SLTD U	1.000	3.00
HW3001A01	D3019 BRASS WASHER(STIMP)	1.000	2.00
36EP3104A01	FREP MACH W/GRSR, RAISED FH PADS	1.000	51.00
HW4500A19	1/4-28X1/4 SLOTTED PLUG F/S	1.000	2.00
51XW0832A07	8-32 X .44, TAPTITE II, HEX WSHR SLTD SE	2.000	2.00
HA6003A16	CLAMP, CAPACITOR SIZE 8 1/4 X 1 1/2 PL	1.000	4.00
51XW0832A07	8-32 X .44, TAPTITE II, HEX WSHR SLTD SE	2.000	2.00
HW5100A05	WVY WSHR F/205 & 304 BRGS	1.000	2.00
36EP3100A01SP	PU ENDPLATE, MACH	1.000	80.00
HW4500A01	1641B(ALEMITE)400 UNIV, GREASE FITT	1.000	2.00

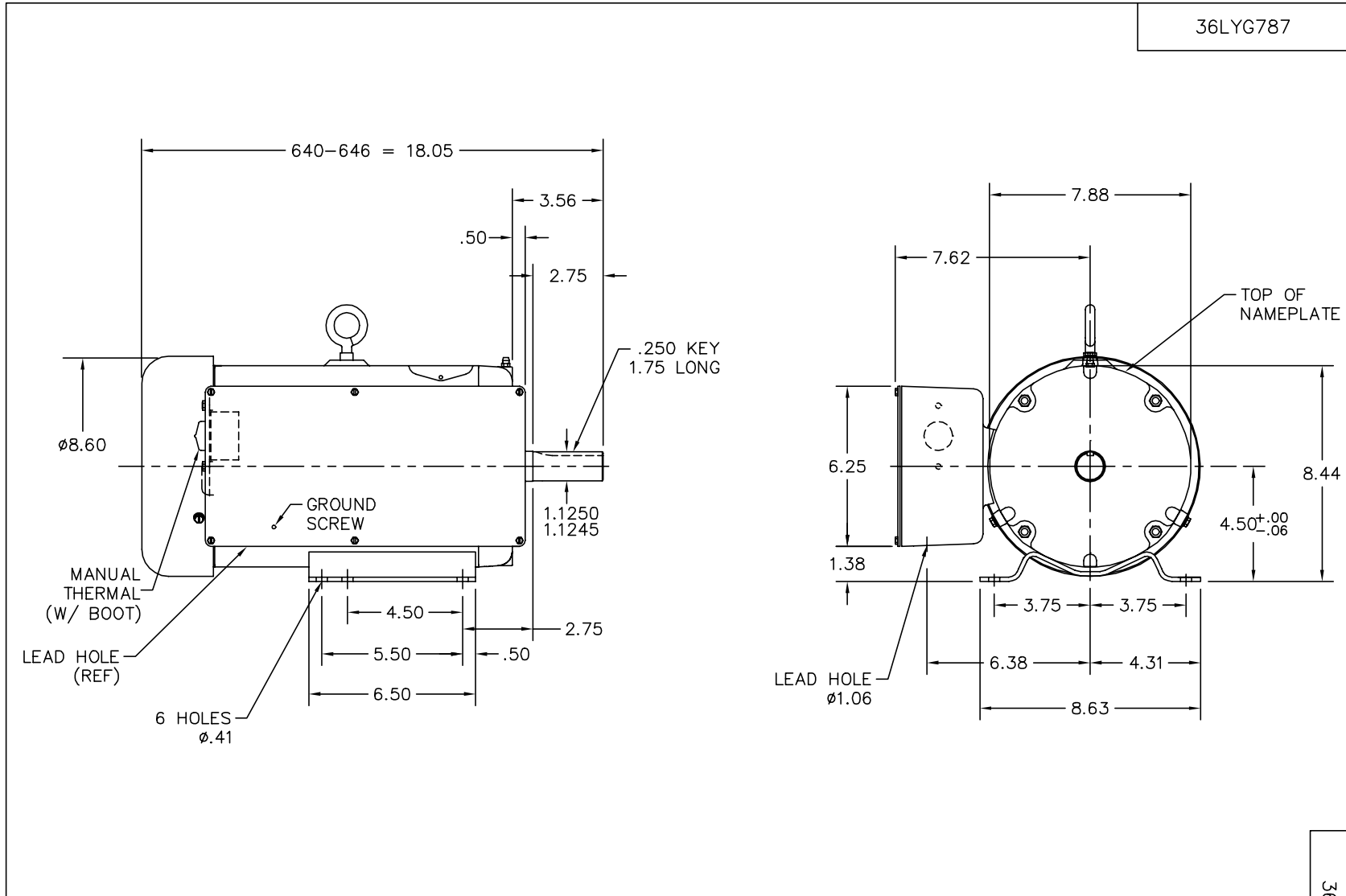
Parts List (continued)			
Product ID	Description	Quantity	List Price
HA3101A28	THRUBOLT 1/4-20 X 12.500 OHIO ROD	4.000	2.00
XY2520A12	1/4-20 HEX NUT, DIRECTIONAL SERRATIONS	4.000	1.00
36FN3000A01SP	FAN EXTERNAL,PLASTIC, 7.00 OD, .912/.907	1.000	23.00
51XB1214A16	12-14X1.00 HXWSSLD SERTYB	1.000	2.00
36FH4009A104	IEC FH GREASER W/AUTOPHERETIC PRIMER	1.000	24.00
51XW1032A06	10-32 X .38, TAPTITE II, HEX WSHR SLTD S	3.000	3.00
37CB4502	CAPAC BOX LID, STAMPED PLATED	1.000	10.00
37GS3003SP	GASKET, CAPAC BOX LID X	1.000	6.00
51XW0832A07	8-32 X .44, TAPTITE II, HEX WSHR SLTD SE	6.000	2.00
HW2501E16	KEY, 1/4 SQ X 1.750	1.000	2.00
HA7000A02	KEY RETAINER RING, 1 1/8 DIA, 1 3/8 DIA	1.000	2.00
LB1115	LABEL,LIFTING DEVICE (ON ROLLS0	1.000	2.00
LB1087	LABEL,MANUAL RESET (ROLL LABEL)	1.000	2.00
MJ1000A02	GREASE, POLYREX EM EXXON	0.050	10.00
MG1000G27	PAINT- S9282E CHARCOAL GREY	0.022	4,000.00
10XF0440S02	04-40 X 1/8 TYPE F HEX HD STAINLESS STIC	2.000	2.00
WD1000A15	3-520132-2 AMP FLAG (4M/RL NON-CANC/NON-	6.000	2.00
SP5061A11	MODEL 36 TYPE L STAT SWITCH LEAD ASSEMBL	1.000	37.00
LB1119	WARNING LABEL	1.000	2.00
LB1125C01	STD (STOCK) CARTON LABEL BALDOR WITH FLA	1.000	2.00
LC0002	CONNECTION LABEL	1.000	2.00
NP1257L	NP STD LASER ENGRAVED THERMAL PROTECTED,	1.000	25.00
36PA1001	PACKAGING GROUP	1.000	25.00

Performance Data at 230V, 60Hz, 5.0HP (Typical performance - Not guaranteed values)

General Characteristics							
Full Load Torque:	15.0 LB-FT			Start Configuration:	DOL		
No-Load Current:	10.0 Amps			Break-Down Torque:	43.0 LB-FT		
Line-line Res. @ 25°C.:	0.353 Ohms A Ph / 2.23 Ohms B Ph			Pull-Up Torque:	36.0 LB-FT		
Temp. Rise @ Rated Load:	97°C			Locked-Rotor Torque:	46.0 LB-FT		
Temp. Rise @ S.F. Load:	0°C			Starting Current:	163.0 Amps		
Load Characteristics							
% of Rated Load:	25	50	75	100	125	150	S.F.
Power Factor:	54.0	71.0	85.0	89.0	89.0	91.0	0.0
Efficiency:	65.0	76.1	81.5	80.8	79.3	75.5	0.0
Speed:	1786.0	1769.0	1750.0	1732.0	1713.0	1687.0	0.0
Line Amperes:	12.7	14.0	18.5	22.6	27.3	33.5	0.0

Performance Graph at 230V, 60Hz, 5.0HP (Typical performance - Not guaranteed values)





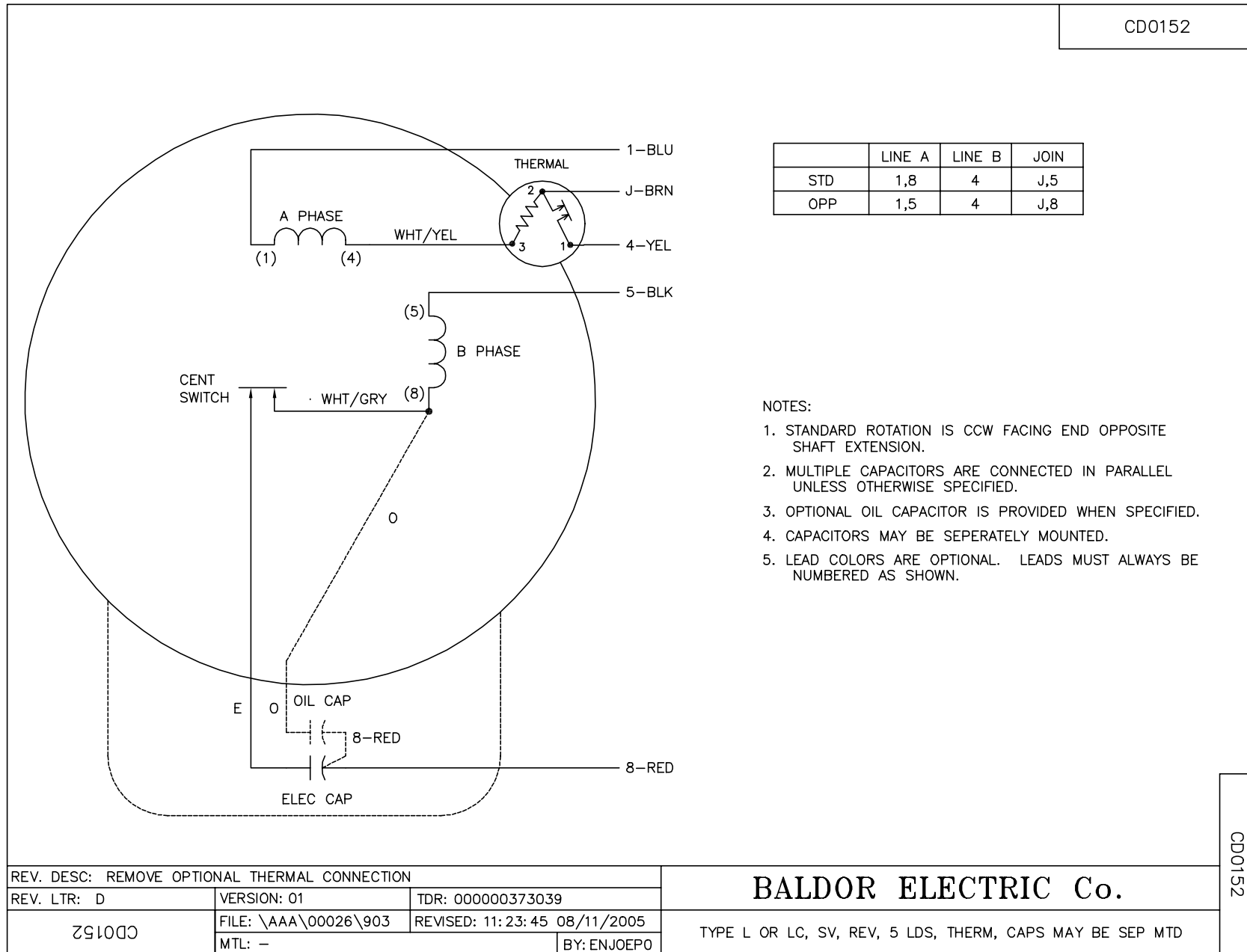
CUSTOMER IS RESPONSIBLE FOR DETERMINING THAT MOTOR PERFORMANCE IS SUITABLE IN THE APPLICATION.

REV. DESC: FREEZE LINES SHOWING THROUGH CAPACITOR/KO BOX		
REV. LTR: G	VERSION: 02	TDR: 000000384004
36LYG787	FILE: \AAA\00014\897	REVISED: 13:31:18 12/28/2005
	MTL: -	BY: ENCHRCO

BALDOR ELECTRIC Co.
HORZ 182-4T TEFC 36LC W/ TYPE LE MTO & TORQ SWITCH

36LYG787

CD0152



	LINE A	LINE B	JOIN
STD	1,8	4	J,5
OPP	1,5	4	J,8

- NOTES:
1. STANDARD ROTATION IS CCW FACING END OPPOSITE SHAFT EXTENSION.
 2. MULTIPLE CAPACITORS ARE CONNECTED IN PARALLEL UNLESS OTHERWISE SPECIFIED.
 3. OPTIONAL OIL CAPACITOR IS PROVIDED WHEN SPECIFIED.
 4. CAPACITORS MAY BE SEPERATELY MOUNTED.
 5. LEAD COLORS ARE OPTIONAL. LEADS MUST ALWAYS BE NUMBERED AS SHOWN.

REV. DESC: REMOVE OPTIONAL THERMAL CONNECTION		
REV. LTR: D	VERSION: 01	TDR: 000000373039
ZS1000	FILE: \AAA\00026\903	REVISED: 11:23:45 08/11/2005
CD0152	MTL: -	BY: ENJOEPO

BALDOR ELECTRIC Co.

TYPE L OR LC, SV, REV, 5 LDS, THERM, CAPS MAY BE SEP MTD

CD0152