



# **BALDOR® • *RELIANCE***

## **Product Information Packet**

### **M3457**

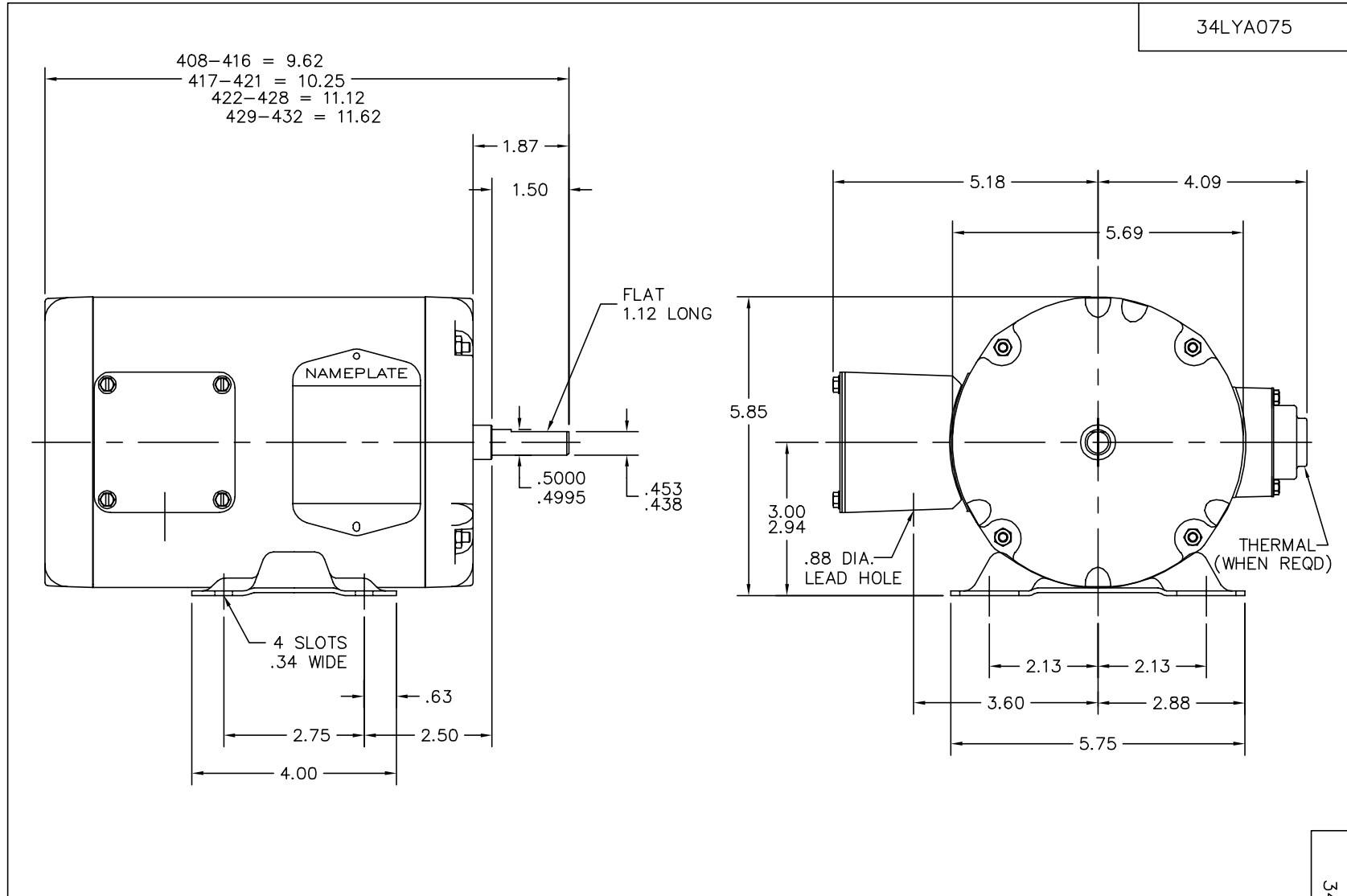
**.33HP,3450RPM,3PH,60HZ,48,3410M,TENV,F1**

Product Detail							
Revision:	G	Status:	PRD/A	Change #:		Proprietary:	No
Type:	AC	Prod Type:	3410M	Elec. Spec:	34WGY170	CD Diagram:	CD0005
Enclosure	TENV	Mfg Plant:		Mech Spec:	34A075	Layout:	34LYA075
Frame:	48	Mounting:	F1	Poles:	02	Created Date:	
Base:	RG	Rotation:	R	Insulation:	B	Eff. Date:	06-24-2008
Leads:	9#18	Literature:		Elec. Diagram:		Replaced By:	

**Nameplate NP1256L**

CAT.NO.	M3457						
SPEC.	34A075Y170						
HP	.33						
VOLTS	230/460						
AMP	1.4/.7						
RPM	3450						
FRAME	48	HZ	60	PH	3		
SER.F.	1.35	CODE	P	DES	B	CLASS	B
NEMA-NOM-EFF	72	PF	64				
RATING	40C AMB-CONT						
CC		USABLE AT 208V	1.6				
DE	6203	ODE	6203				
ENCL	TENV	SN					
	SFA 1.5/.75						

<b>Parts List</b>			
<b>Product ID</b>	<b>Description</b>	<b>Quantity</b>	<b>List Price</b>
SA084135	SA 34A075Y170	1.000	146.00
RA077322	RA 34A075Y170	1.000	122.00
NS2512A01	INSULATOR, CONDUIT BOX X X	1.000	2.00
34CB3002A	CB CAST W/.88 DIA HOLE	1.000	13.00
34GS1029A01	GASKET, CONDUIT BOX	1.000	2.00
51XB1016A07	10-16 X 7/16 HXWSSLD SERTYB	2.000	2.00
11XW1032G06	10-32 X .38, TAPTITE II, HEX WSHR SLTD U	1.000	3.00
34EP3100A03SP	FR ENDPLATE, MACH	1.000	52.00
HW5100A03SP	WAVY WASHER (W1543-017)	1.000	2.00
34EP3102A02SP	FR/PU ENDPLATE, MACH	1.000	24.00
XY1032A02	10-32 HEX NUT DIRECTIONAL SERRATION	4.000	2.00
34CB4517	CB LID 4 MTG HOLES .22 DIA STAMPED, FOR	1.000	5.00
34GS1031A01	GASKET, FLAT CONDUIT BOX LID (LEXIDE)	1.000	2.00
51XW0832A07	8-32 X .44, TAPTITE II, HEX WSHR SLTD SE	4.000	2.00
MG1000G27	PAINT- S9282E CHARCOAL GREY	0.014	4,000.00
10XF0440S02	04-40 X 1/8 TYPE F HEX HD STAINLESS STIC	2.000	2.00
HA3100A12	THRUBOLT 10-32 X 7.375	4.000	2.00
LB1125C01	STD (STOCK) CARTON LABEL BALDOR WITH FLA	1.000	2.00
LC0005E01	CONN.DIA./WARNING LABEL (LC0005/LB1119)	1.000	2.00
NP1256L	NP STD LASER ENGRAVED, UL CSA CC, W/O TH	1.000	3.00
34PA1002	PACKING GROUP, BALDOR	1.000	13.00
LB5040	INSTRUCTION TAG, AC & DC	1.000	2.00



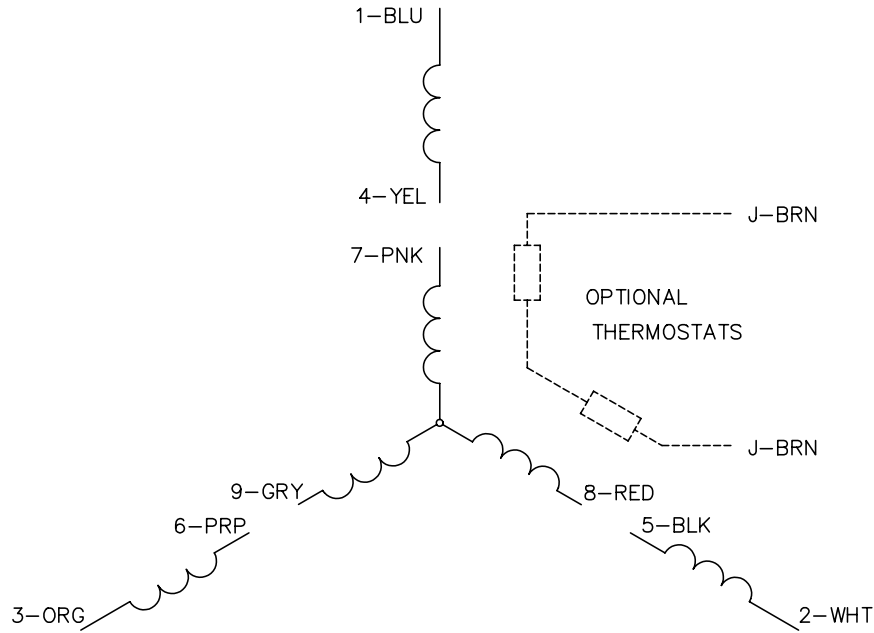
CUSTOMER IS RESPONSIBLE FOR DETERMINING THAT MOTOR PERFORMANCE IS SUITABLE IN THE APPLICATION.

REV. DESC: UPDATED GRAPHIC, LOADED TO ACAD			
REV. LTR: C	BY: RT	REVISED: 14:42:14 07/30/2004	TDR: 339360
34LYA075		FILE: AAA00026171	REF: 34LYA075
		MTL: -	

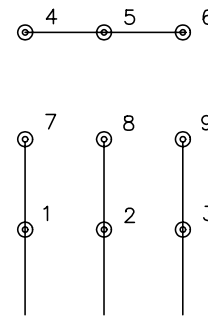
<b>BALDOR ELECTRIC Co.</b>
STD HORZ MODEL 34M NEMA 48 TENV

34LYA075

CD0005

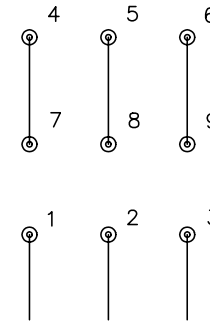


LOW VOLTAGE  
(2Y)



LINE

HIGH VOLTAGE  
(1Y)



LINE

NOTES:

1. INTERCHANGE ANY TWO LINE LEADS TO REVERSE ROTATION.
2. OPTIONAL THERMOSTATS ARE PROVIDED WHEN SPECIFIED.
3. ACTUAL NUMBER OF INTERNAL PARALLEL CIRCUITS MAY BE A MULTIPLE OF THOSE SHOWN ABOVE.
4. LEAD COLORS ARE OPTIONAL. LEADS MUST ALWAYS BE NUMBERED AS SHOWN.

REV. DESC: REVISE TO SHOW OPTIONAL COLORS			
REV. LTR: E	BY: JLP	REVISED: 01/19/99 10:15	TDR: 0171435
900000		FILE: AAA00005140	MDL: -
		MTL: -	

**BALDOR ELECTRIC Co.**

3PH, DV, 9 LEADS

CD0005