



BALDOR® • *RELIANCE*

Product Information Packet

NM3454

.25HP,1725RPM,3PH,60HZ,48,3413M,TENV,F1

Product Detail							
Revision:	M	Status:	PRD/A	Change #:		Proprietary:	No
Type:	AC	Prod Type:	3413M	Elec. Spec:	34WG0139	CD Diagram:	CD0005
Enclosure	TENV	Mfg Plant:		Mech Spec:	34A075	Layout:	34LYA075
Frame:	48	Mounting:	F1	Poles:	04	Created Date:	
Base:	RG	Rotation:	R	Insulation:	F	Eff. Date:	06-11-2007
Leads:	9#18	Literature:		Elec. Diagram:		Replaced By:	

Nameplate NP1256L									
CAT.NO.	NM3454								
SPEC.	34A75-139G1								
HP	.25								
VOLTS	230/460								
AMP	1/5								
RPM	1725								
FRAME	48	HZ			60	PH	3		
SER.F.	1.35	CODE			K	DES	B	CLASS	F
NEMA-NOM-EFF	68	PF			66				
RATING	40C AMB-CONT								
CC				USABLE AT 208V		1.2			
DE	6203	ODE			6203				
ENCL	TENV	SN							
	SFA 1.1/.55								

Parts List			
Product ID	Description	Quantity	List Price
SA009928	SA 34A75-139G1	1.000	151.00
RA006373	RA 34A75-139G1	1.000	126.00
NS2512A01	INSULATOR, CONDUIT BOX X X	1.000	2.00
34CB3002A	CB CAST W/.88 DIA HOLE	1.000	13.00
34GS1029A01	GASKET, CONDUIT BOX	1.000	2.00
51XB1016A07	10-16 X 7/16 HXWSSLD SERTYB	2.000	2.00
11XW1032G06	10-32 X .38, TAPTITE II, HEX WSHR SLTD U	1.000	3.00
34EP3100A03SP	FR ENDPLATE, MACH	1.000	52.00
HW5100A03SP	WAVY WASHER (W1543-017)	1.000	2.00
34EP3102A02SP	FR/PU ENDPLATE, MACH	1.000	24.00
XY1032A02	10-32 HEX NUT DIRECTIONAL SERRATION	4.000	2.00
34CB4517	CB LID 4 MTG HOLES .22 DIA STAMPED, FOR	1.000	5.00
34GS1031A01	GASKET, FLAT CONDUIT BOX LID (LEXIDE)	1.000	2.00
51XW0832A07	8-32 X .44, TAPTITE II, HEX WSHR SLTD SE	4.000	2.00
MG1000G27	PAINT- S9282E CHARCOAL GREY	0.014	4,000.00
10XF0440S02	04-40 X 1/8 TYPE F HEX HD STAINLESS STIC	2.000	2.00
HA3100A12	THRUBOLT 10-32 X 7.375	4.000	2.00
LB5040	INSTRUCTION TAG, AC & DC	1.000	2.00
LB1125C01	STD (STOCK) CARTON LABEL BALDOR WITH FLA	1.000	2.00
LC0005E01	CONN.DIA./WARNING LABEL (LC0005/LB1119)	1.000	2.00
NP1256L	NP STD LASER ENGRAVED, UL CSA CC, W/O TH	1.000	3.00
34PA1002	PACKING GROUP, BALDOR	1.000	13.00

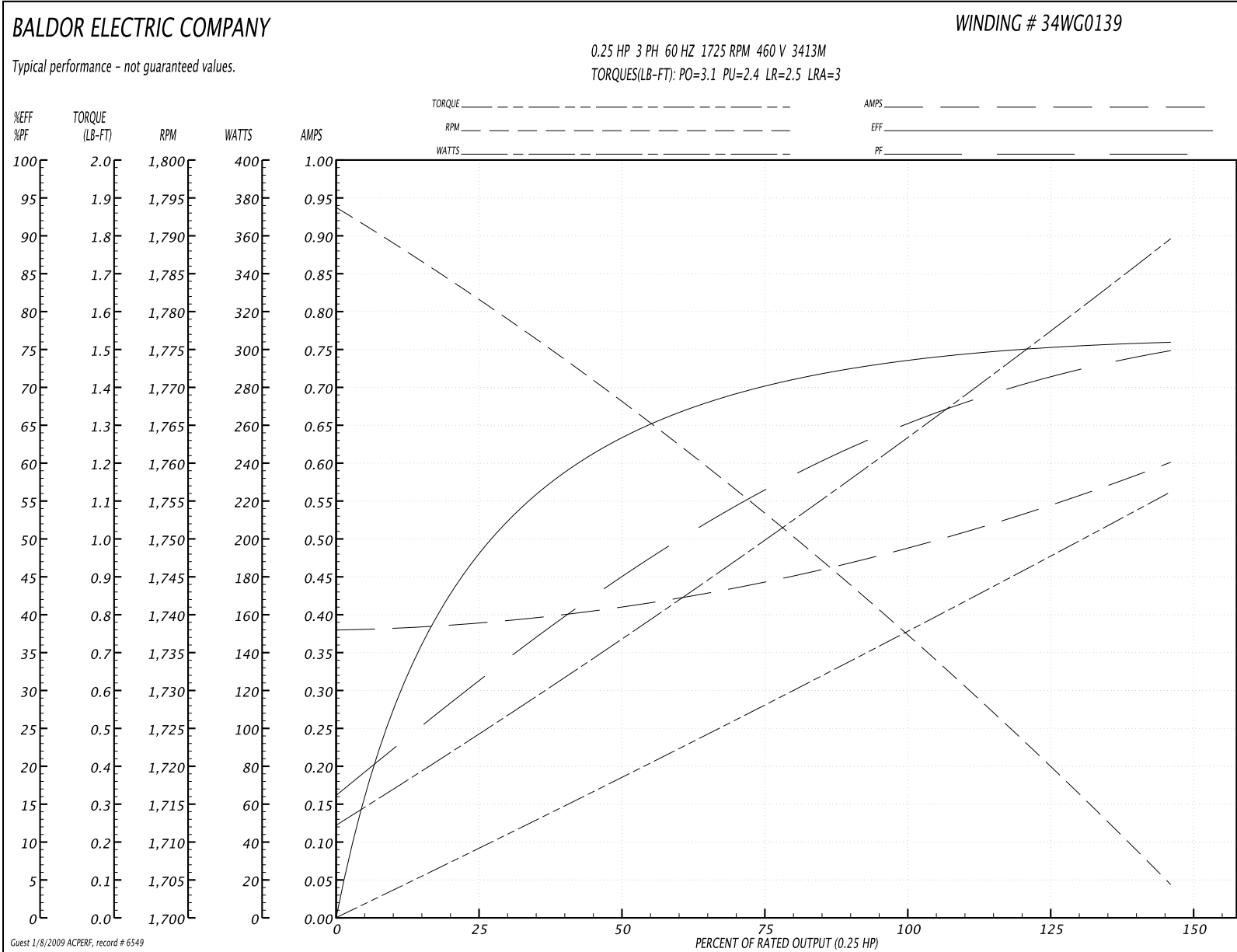
Performance Data at 460V, 60Hz, 0.25HP (Typical performance - Not guaranteed values)
General Characteristics

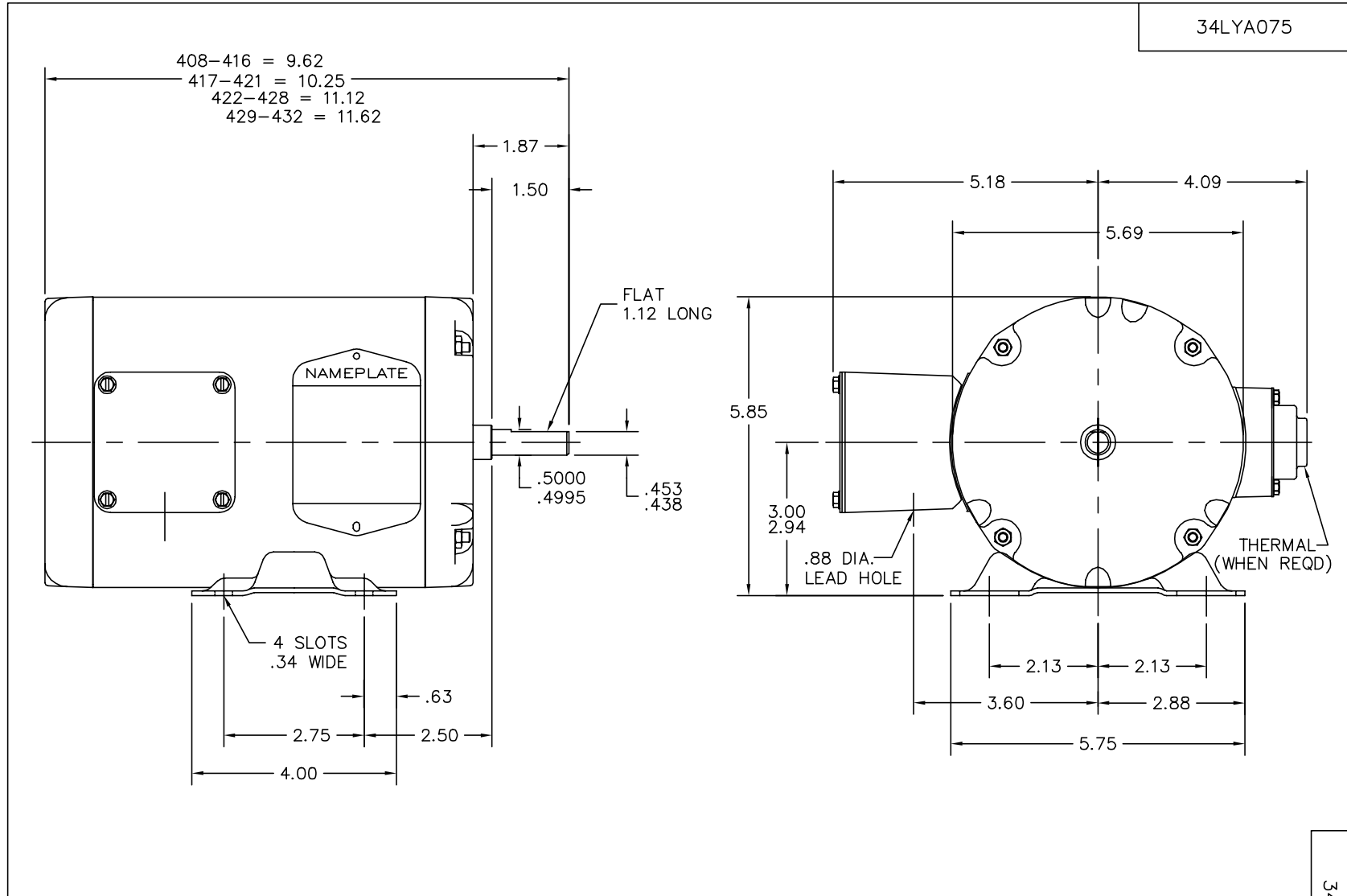
Full Load Torque:	0.75 LB-FT	Start Configuration:	DOL
No-Load Current:	0.38 Amps	Break-Down Torque:	3.1 LB-FT
Line-line Res. @ 25°C.:	60.4 Ohms A Ph / 0.0 Ohms B Ph	Pull-Up Torque:	2.4 LB-FT
Temp. Rise @ Rated Load:	36°C	Locked-Rotor Torque:	2.5 LB-FT
Temp. Rise @ S.F. Load:	44°C	Starting Current:	3.0 Amps

Load Characteristics

% of Rated Load:	25	50	75	100	125	150	S.F.
Power Factor:	32.0	45.0	56.0	65.0	72.0	77.0	75.0
Efficiency:	48.0	63.4	70.3	73.7	75.3	75.8	75.9
Speed:	1781.0	1768.0	1753.0	1738.0	1722.0	1704.0	1716.0
Line Amperes:	0.39	0.41	0.44	0.49	0.54	0.6	0.56

Performance Graph at 460V, 60Hz, 0.25HP (Typical performance - Not guaranteed values)





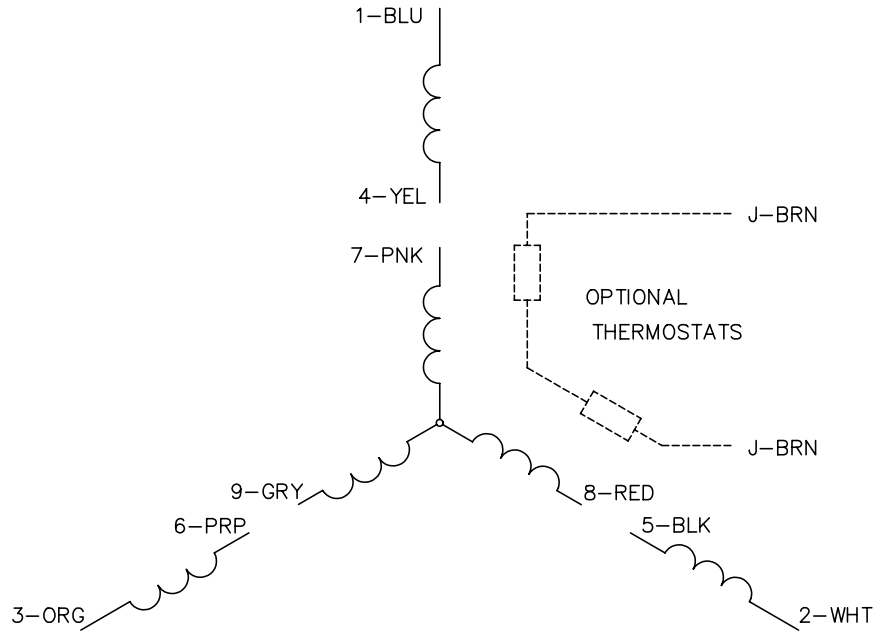
CUSTOMER IS RESPONSIBLE FOR DETERMINING THAT MOTOR PERFORMANCE IS SUITABLE IN THE APPLICATION.

REV. DESC: UPDATED GRAPHIC, LOADED TO ACAD			
REV. LTR: C	BY: RT	REVISED: 14:42:14 07/30/2004	TDR: 339360
34LYA075		FILE: AAA00026171	REF: 34LYA075
		MTL: -	

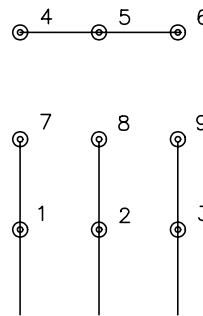
BALDOR ELECTRIC Co.
STD HORZ MODEL 34M NEMA 48 TENV

34LYA075

CD0005

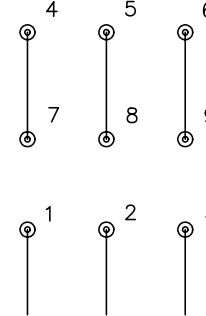


LOW VOLTAGE
(2Y)



LINE

HIGH VOLTAGE
(1Y)



LINE

NOTES:

1. INTERCHANGE ANY TWO LINE LEADS TO REVERSE ROTATION.
2. OPTIONAL THERMOSTATS ARE PROVIDED WHEN SPECIFIED.
3. ACTUAL NUMBER OF INTERNAL PARALLEL CIRCUITS MAY BE A MULTIPLE OF THOSE SHOWN ABOVE.
4. LEAD COLORS ARE OPTIONAL. LEADS MUST ALWAYS BE NUMBERED AS SHOWN.

REV. DESC: REVISE TO SHOW OPTIONAL COLORS			
REV. LTR: E	BY: JLP	REVISED: 01/19/99 10:15	TDR: 0171435
900000		FILE: AAA00005140	MDL: -
		MTL: -	

BALDOR ELECTRIC Co.

3PH, DV, 9 LEADS

CD0005