



BALDOR® • *RELIANCE*

Product Information Packet

RHC164A

.25HP,1100RPM,1PH,60HZ,48,1710C,OPAO,F1

Product Detail							
Revision:	J	Status:	PRD/A	Change #:		Proprietary:	No
Type:	AC	Prod Type:	1710C	Elec. Spec:	17WGW356	CD Diagram:	CD0804
Enclosure	OPAO	Mfg Plant:		Mech Spec:	17K040	Layout:	17LYK040
Frame:	48	Mounting:	F1	Poles:	06	Created Date:	
Base:	RS	Rotation:	RS	Insulation:	B	Eff. Date:	11-06-2007
Leads:	7#18	Literature:		Elec. Diagram:		Replaced By:	

Nameplate NP1203A01							
CAT.NO.	RHC164A		ENCL			OPAO	
SPEC.	17K040W356		FRAME			48	
HP	.25						
VOLTS	115/230						
AMPS	3.4/1.7						
RPM	1075						
HZ	60	PH	1	CL	B		
SER.F.	1.15	DES	-	CODE	B		
FL EFF	54.2	PF					
RATING	40C AMB-CONT						
SF AMP				USABLE AT 208V		1.7	
SER.							
MANUAL	N	AUTO	Y	NONE	N		
BLANK							

Parts List			
Product ID	Description	Quantity	List Price
SA070311	SA 17K040W356	1.000	137.00
RA064212	RA 17K040W356	1.000	115.00
OC3006F12	CYL OIL CAP 6MFD/370V	1.000	21.00
WD4100A49	CAPLUG,BP-13/16,PLUG W/RECESSED HEAD	1.000	2.00
11XT0832G06	8-32 X 3/8 TY 23 TAP GRN. X	1.000	3.00
LD5000A52	LEAD ASSY W/INTERNAL STAR RING TERMINALS	1.000	5.00
11XT1032A06	10-32 X 3/8 HX WSHR HD SLTD TYPE 23	2.000	3.00
51XW0832A07	8-32 X .44, TAPTITE II, HEX WSHR SLTD SE	4.000	2.00
RM1000A03SP	CUSHION RING, MDL 17-33-34	1.000	7.00
HA6004A01A	CLAMP CUSHION RING ASSY	1.000	4.00
33CB4800A02	CAPACITOR COVER, STAMPED	1.000	3.00
51XB1016A05	10-16X5/16HX WA SL SR TYB (F/S)	2.000	2.00
WD1000A16	2-520128-2 AMP FLAG TERMINAL(4M/RL)	1.000	823.00
HW5100A03SP	WAVY WASHER (W1543-017)	1.000	2.00
17EP3100B01	PU ENDPLATE, MACH W/HUB	1.000	16.00
XY0832A02	8-32 HEX NUT	4.000	2.00
RM1000A03SP	CUSHION RING, MDL 17-33-34	1.000	7.00
HA6004A01A	CLAMP CUSHION RING ASSY	1.000	4.00
34CB4501SP	TERMINAL BOX LID, STAMPED X (PLATED)	1.000	20.00
51XW0832A07	8-32 X .44, TAPTITE II, HEX WSHR SLTD SE	2.000	2.00
17EP3200BT04	FR ENDPLATE, MACH W/HUB	1.000	20.00
SP5126	MDL 17L TERM PANEL 3 PH W/TABS & 3/4 THE	1.000	26.00
34BA4001A01A	RESILIENT BASE, 408-416 AUTOPHORETIC	1.000	56.00
HA3169A04	THRUBOLT #8-32 THDS X 7.562" LONG	4.000	2.00

Parts List (continued)			
Product ID	Description	Quantity	List Price
LB1125A01SP	STOCK MTR CARTON LABEL LASER PRINTER	1.000	3.00
LB5040	INSTRUCTION TAG, AC & DC	1.000	2.00
NP1203A01	NP LABEL 1PH, DV, REV (FOR COMMERCIAL MO	1.000	
34PA1002	PACKING GROUP, BALDOR	1.000	13.00

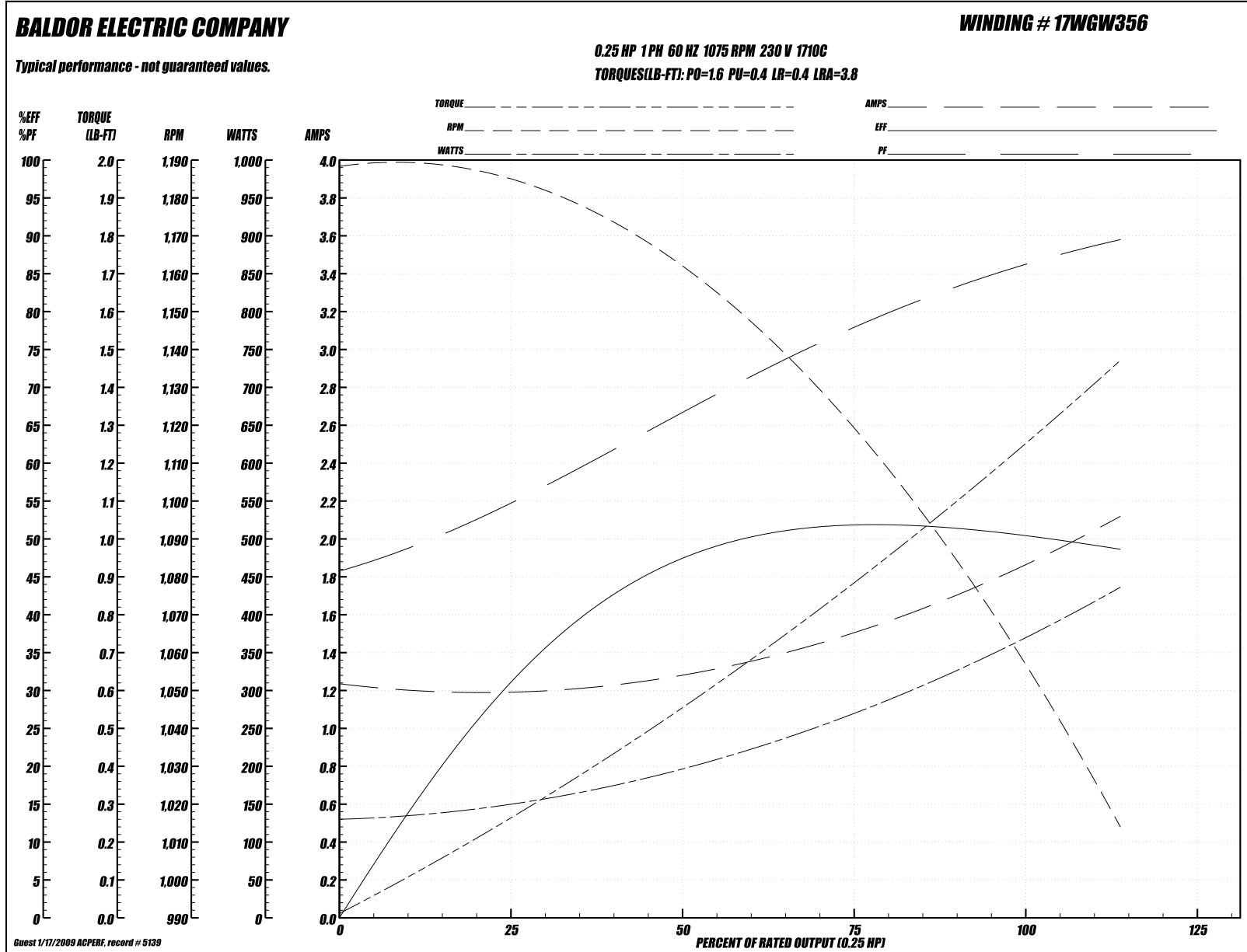
Performance Data at 230V, 60Hz, 0.25HP (Typical performance - Not guaranteed values)
General Characteristics

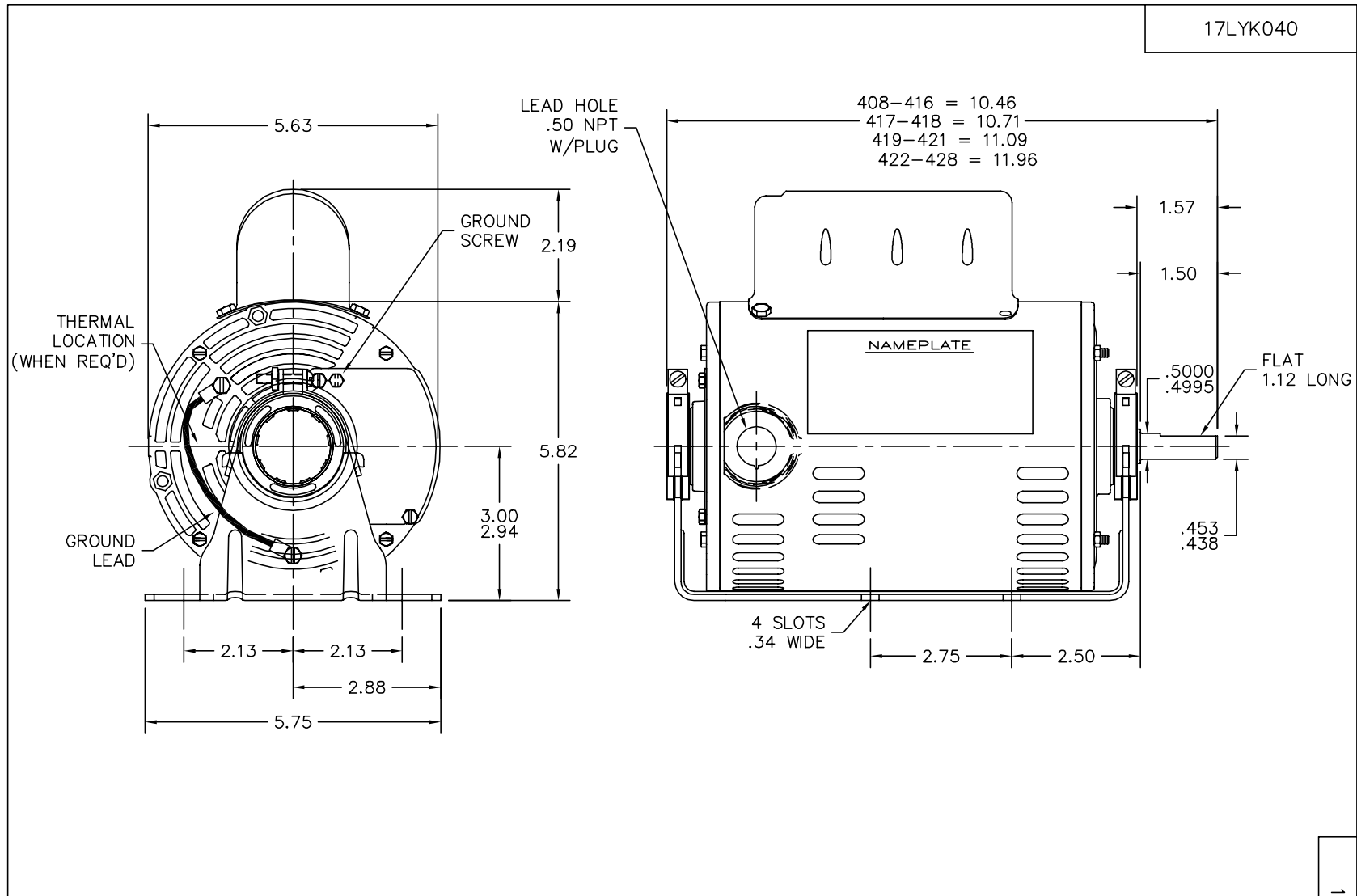
Full Load Torque:	1.2 LB-FT	Start Configuration:	DOL
No-Load Current:	1.2 Amps	Break-Down Torque:	1.6 LB-FT
Line-line Res. @ 25°C.:	23.6 Ohms A Ph / 51.0 Ohms B Ph	Pull-Up Torque:	0.4 LB-FT
Temp. Rise @ Rated Load:	55°C	Locked-Rotor Torque:	0.4 LB-FT
Temp. Rise @ S.F. Load:	0°C	Starting Current:	3.8 Amps

Load Characteristics

% of Rated Load:	25	50	75	100	125	150	S.F.
Power Factor:	58.0	70.0	79.0	83.0	87.0	0.0	0.0
Efficiency:	30.2	46.5	53.4	54.2	46.5	0.0	0.0
Speed:	1175.0	1151.0	1119.0	1084.0	996.0	0.0	0.0
Line Amperes:	1.24	1.34	1.51	1.71	2.22	0.0	2.02

Performance Graph at 230V, 60Hz, 0.25HP (Typical performance - Not guaranteed values)





CUSTOMER IS RESPONSIBLE FOR DETERMINING THAT MOTOR PERFORMANCE IS SUITABLE IN THE APPLICATION.

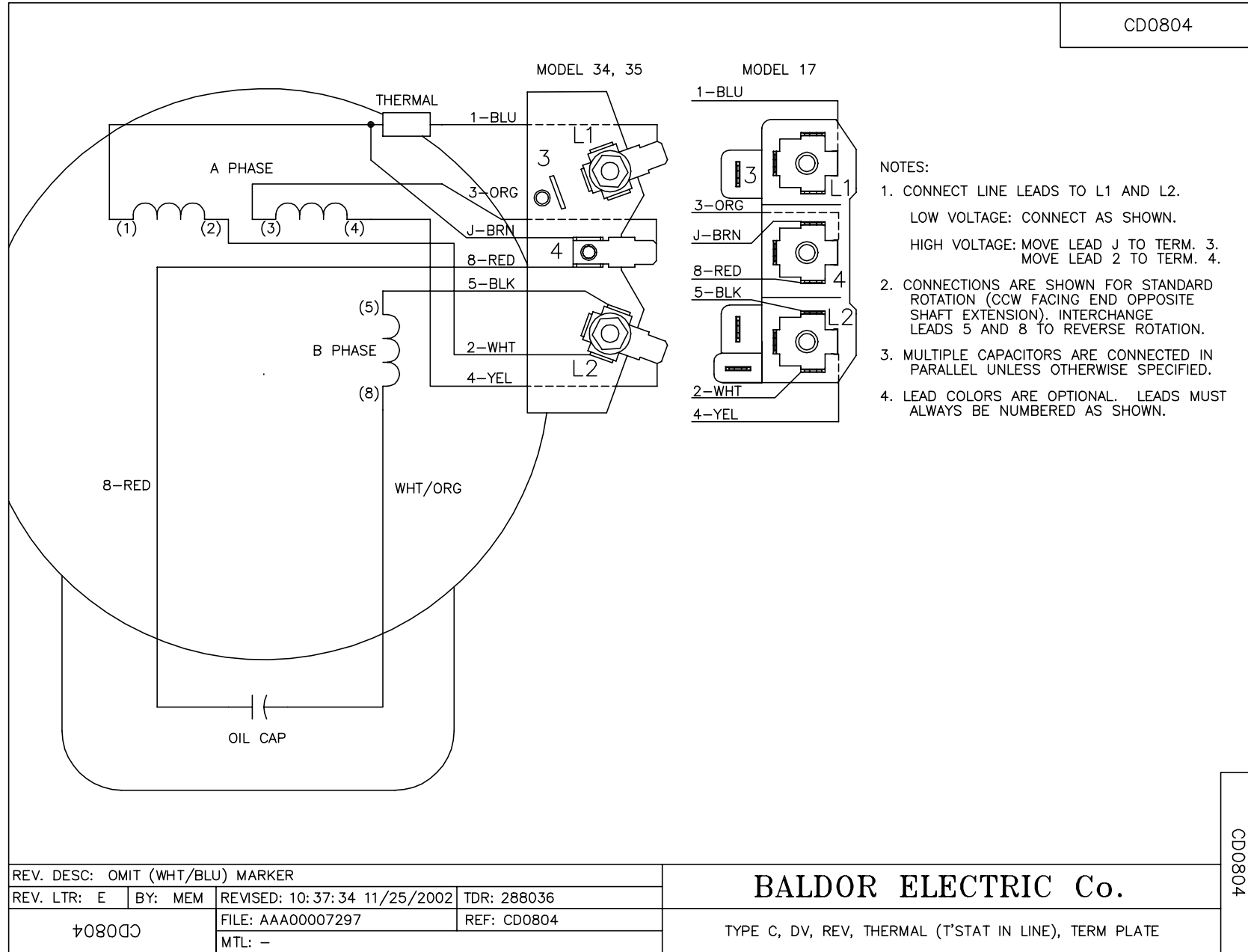
REV. DESC: NEW			
REV. LTR: -	BY: BF	REVISED: 11:43:38 01/30/2001	TDR: 230340
17LYK040		FILE: AAA00082467	REF: 17LYK040
		MTL: -	

BALDOR ELECTRIC Co.

RESIL 17C NEMA 48 OPEN

17LYK040

CD0804



CD0804

REV. DESC: OMIT (WHT/BLU) MARKER			
REV. LTR: E	BY: MEM	REVISED: 10:37:34 11/25/2002	TDR: 288036
FILE: AAA00007297		REF: CD0804	
MTL: -			

BALDOR ELECTRIC Co.

TYPE C, DV, REV, THERMAL (T'STAT IN LINE), TERM PLATE

CD0804