



# **BALDOR® • *RELIANCE***

## **Product Information Packet**

### **RHC264A**

**.33HP,1075RPM,1PH,60HZ,48,1714C,OPAO,F1**

Product Detail							
Revision:	H	Status:	PRD/A	Change #:		Proprietary:	No
Type:	AC	Prod Type:	1714C	Elec. Spec:	17WG364	CD Diagram:	CD0804
Enclosure	OPAO	Mfg Plant:		Mech Spec:	17K040	Layout:	17LYK040
Frame:	48	Mounting:	F1	Poles:	06	Created Date:	
Base:	RS	Rotation:	RS	Insulation:	B	Eff. Date:	10-15-2007
Leads:	7#18	Literature:		Elec. Diagram:		Replaced By:	

**Nameplate NP1203A01**

CAT.NO.	RHC264A	ENCL	OPAO
SPEC.	17K040W364	FRAME	48
HP	.33		
VOLTS	115/230		
AMPS	3.8/1.9		
RPM	1075		
HZ	60	PH	1
SER.F.	1.15	DES	-
FL EFF	62.2	PF	
RATING	40C AMB-CONT		
SF AMP		USABLE AT 208V	2.2
SER.			
MANUAL	N	AUTO	Y
BLANK			NONE

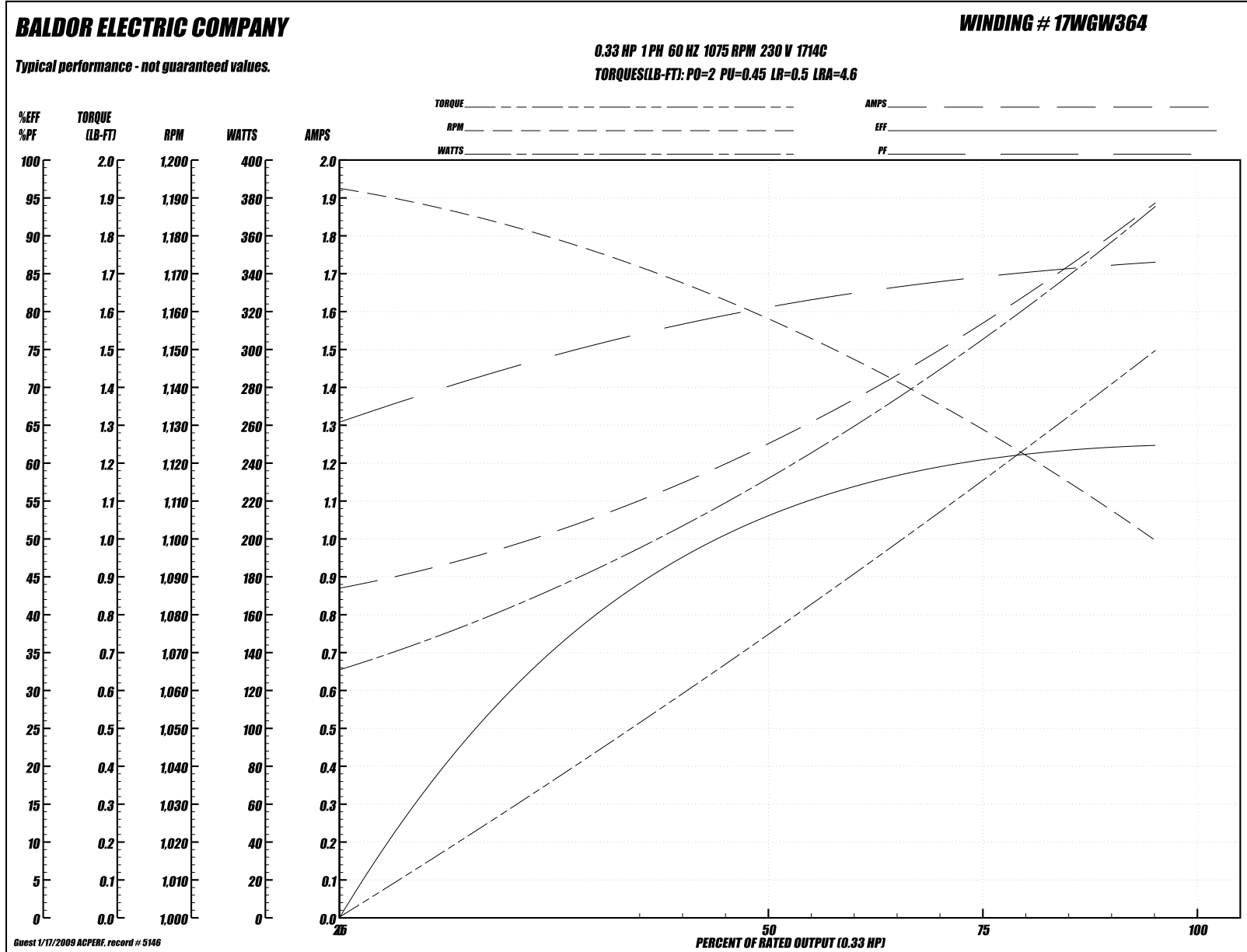
<b>Parts List</b>			
<b>Product ID</b>	<b>Description</b>	<b>Quantity</b>	<b>List Price</b>
SA070396	SA 17K040W364	1.000	141.00
RA064291	RA 17K040W364	1.000	118.00
OC3008F12SP	CYL OIL CAP 8MFD/370V	1.000	29.00
WD4100A49	CAPLUG,BP-13/16,PLUG W/RECESSED HEAD	1.000	2.00
11XT0832G06	8-32 X 3/8 TY 23 TAP GRN. X	1.000	3.00
LD5000A52	LEAD ASSY W/INTERNAL STAR RING TERMINALS	1.000	5.00
11XT1032A06	10-32 X 3/8 HX WSHR HD SLTD TYPE 23	2.000	3.00
51XW0832A07	8-32 X .44, TAPTITE II, HEX WSHR SLTD SE	4.000	2.00
RM1000A03SP	CUSHION RING, MDL 17-33-34	1.000	7.00
HA6004A01A	CLAMP CUSHION RING ASSY	1.000	4.00
33CB4800A02	CAPACITOR COVER, STAMPED	1.000	3.00
51XB1016A05	10-16X5/16HX WA SL SR TYB (F/S)	2.000	2.00
WD1000A16	2-520128-2 AMP FLAG TERMINAL(4M/RL)	1.000	823.00
HW5100A03SP	WAVY WASHER (W1543-017)	1.000	2.00
17EP3100B01	PU ENDPLATE, MACH W/HUB	1.000	16.00
XY0832A02	8-32 HEX NUT	4.000	2.00
RM1000A03SP	CUSHION RING, MDL 17-33-34	1.000	7.00
HA6004A01A	CLAMP CUSHION RING ASSY	1.000	4.00
34CB4501SP	TERMINAL BOX LID, STAMPED X (PLATED)	1.000	20.00
51XW0832A07	8-32 X .44, TAPTITE II, HEX WSHR SLTD SE	2.000	2.00
17EP3200BT04	FR ENDPLATE, MACH W/HUB	1.000	20.00
SP5126	MDL 17L TERM PANEL 3 PH W/TABS & 3/4 THE	1.000	26.00
34BA4001A01A	RESILIENT BASE, 408-416 AUTOPHORETIC	1.000	56.00
HA3169A04	THRUBOLT #8-32 THDS X 7.562" LONG	4.000	2.00

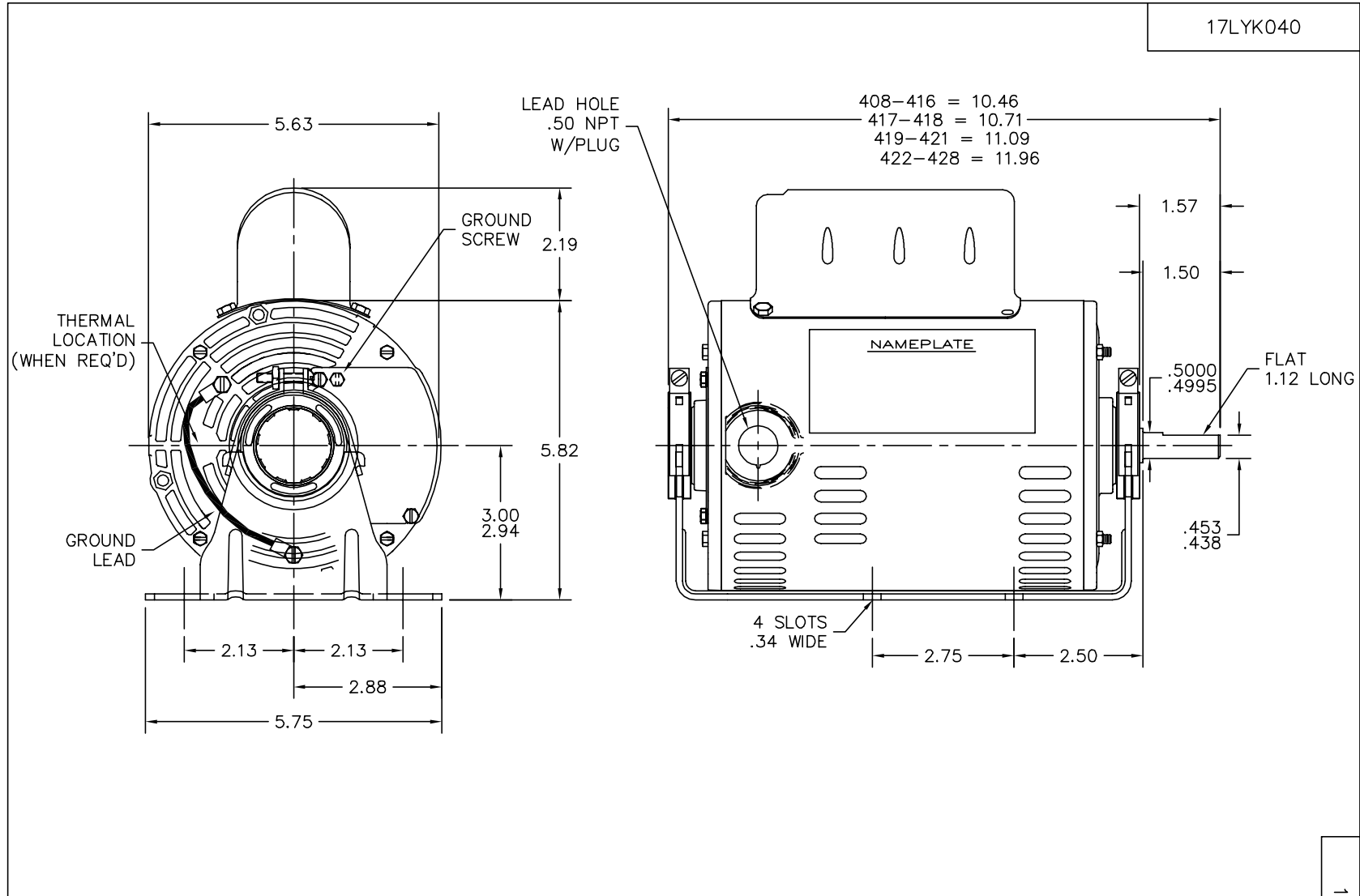
<b>Parts List (continued)</b>			
<b>Product ID</b>	<b>Description</b>	<b>Quantity</b>	<b>List Price</b>
LB1125A01SP	STOCK MTR CARTON LABEL LASER PRINTER	1.000	3.00
LB5040	INSTRUCTION TAG, AC & DC	1.000	2.00
NP1203A01	NP LABEL 1PH, DV, REV (FOR COMMERCIAL MO	1.000	
34PA1002	PACKING GROUP, BALDOR	1.000	13.00
LD5309A01	LEAD ASSY, ML14-8C16 5" W/(2) WD1000A15	1.000	2.00
LD5317A01	LD ASSY, ML14-JH16, 7.5", W/(1)WD1000A15	1.000	2.00
LD5318A01	LD ASSY, ML14-1E16, 6", W/(1) WD1000A15	1.000	9.00

**Performance Data at 230V, 60Hz, 0.33HP (Typical performance - Not guaranteed values)**

General Characteristics							
<b>Full Load Torque:</b>	1.5 LB-FT			<b>Start Configuration:</b>	DOL		
<b>No-Load Current:</b>	0.87 Amps			<b>Break-Down Torque:</b>	2.0 LB-FT		
<b>Line-line Res. @ 25°C.:</b>	18.0 Ohms A Ph / 35.2 Ohms B Ph			<b>Pull-Up Torque:</b>	0.45 LB-FT		
<b>Temp. Rise @ Rated Load:</b>	34°C			<b>Locked-Rotor Torque:</b>	0.5 LB-FT		
<b>Temp. Rise @ S.F. Load:</b>	0°C			<b>Starting Current:</b>	4.6 Amps		
Load Characteristics							
<b>% of Rated Load:</b>	<b>25</b>	<b>50</b>	<b>75</b>	<b>100</b>	<b>125</b>	<b>150</b>	<b>S.F.</b>
<b>Power Factor:</b>	78.0	86.0	89.0	90.0	0.0	0.0	0.0
<b>Efficiency:</b>	36.7	52.1	60.7	62.2	0.0	0.0	0.0
<b>Speed:</b>	1178.0	1158.0	1132.0	1099.0	0.0	0.0	0.0
<b>Line Amperes:</b>	1.02	1.26	1.54	1.89	0.0	0.0	0.0

Performance Graph at 230V, 60Hz, 0.33HP (Typical performance - Not guaranteed values)





CUSTOMER IS RESPONSIBLE FOR DETERMINING THAT MOTOR PERFORMANCE IS SUITABLE IN THE APPLICATION.

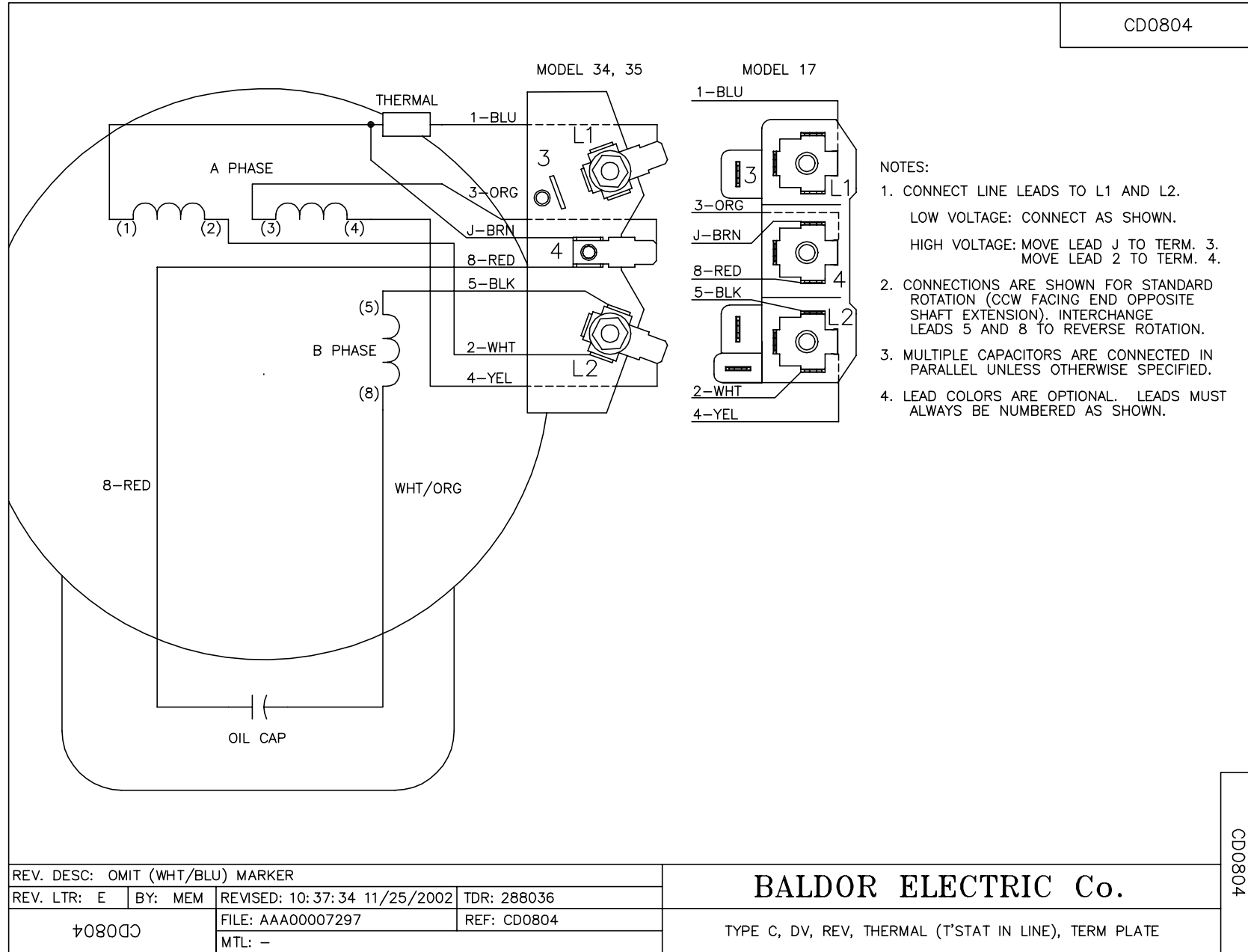
REV. DESC: NEW			
REV. LTR: -	BY: BF	REVISED: 11:43:38 01/30/2001	TDR: 230340
17LYK040		FILE: AAA00082467	REF: 17LYK040
		MTL: -	

**BALDOR ELECTRIC Co.**

RESIL 17C NEMA 48 OPEN

17LYK040

CD0804



CD0804

REV. DESC: OMIT (WHT/BLU) MARKER			
REV. LTR: E	BY: MEM	REVISED: 10:37:34 11/25/2002	TDR: 288036
FILE: AAA00007297		REF: CD0804	
MTL: -			

**BALDOR ELECTRIC Co.**

TYPE C, DV, REV, THERMAL (T'STAT IN LINE), TERM PLATE

CD0804