



BALDOR® • *RELIANCE*

Product Information Packet

RHC445A

.75HP,1675RPM,1PH,60HZ,56,1720C,OPAO,F1

Product Detail							
Revision:	U	Status:	PRD/A	Change #:		Proprietary:	No
Type:	AC	Prod Type:	1720C	Elec. Spec:	17WG368	CD Diagram:	CD0381
Enclosure	OPAO	Mfg Plant:		Mech Spec:	17K041	Layout:	17LYK041
Frame:	56	Mounting:	F1	Poles:	04	Created Date:	
Base:	RS	Rotation:	RS	Insulation:	B	Eff. Date:	10-23-2008
Leads:	6#18,1#16	Literature:		Elec. Diagram:		Replaced By:	

Nameplate NP1203A01

CAT.NO.	RHC445A	ENCL	OPAO
SPEC.	17K041W368	FRAME	56
HP	.75		
VOLTS	115/230		
AMPS	8/4		
RPM	1675		
HZ	60	PH	1
SER.F.	1.00	DES	-
FL EFF	68	PF	
RATING	40C AMB-CONT		
SF AMP		USABLE AT 208V	4.2
SER.			
MANUAL	N	AUTO	Y
BLANK			NONE

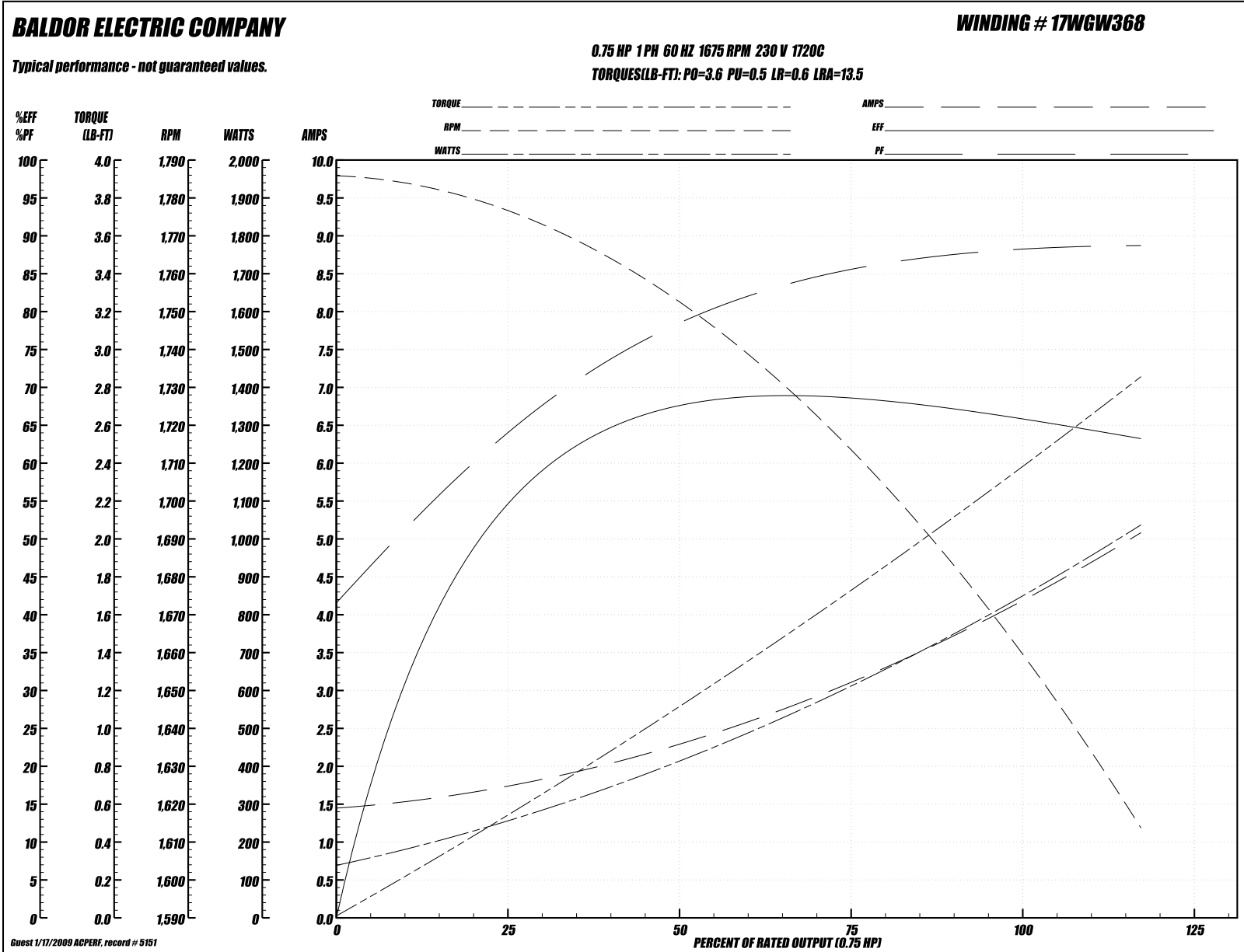
Parts List			
Product ID	Description	Quantity	List Price
SA070399	SA 17K041W368	1.000	159.00
RA064294	RA 17K041W368	1.000	133.00
OC3008F12SP	CYL OIL CAP 8MFD/370V	1.000	29.00
TPMRJ55RX	THERMAL 1PH 0.75 AUT 120C	1.000	31.00
TB0167A01	6 POS SHORT FOOT 300&500 SERIES (27-20,2	1.000	5.00
WD1540A01	TERMINAL, 187 SERIES 500 SERIES MAG-MATE	4.000	2.00
WD1540A04	TERMINAL, 187 SERIES 300 SERIES MAG-MATE	2.000	2.00
WD4100A49	CAPLUG,BP-13/16,PLUG W/RECESSED HEAD	1.000	2.00
11XT0832G06	8-32 X 3/8 TY 23 TAP GRN. X	1.000	3.00
LD5000A52	LEAD ASSY W/INTERNAL STAR RING TERMINALS	1.000	5.00
11XT1032A06	10-32 X 3/8 HX WSHR HD SLTD TYPE 23	2.000	3.00
51XW0832A07	8-32 X .44, TAPTITE II, HEX WSHR SLTD SE	4.000	2.00
RM1000A03SP	CUSHION RING, MDL 17-33-34	1.000	7.00
HA6004A01A	CLAMP CUSHION RING ASSY	1.000	4.00
33CB4800A02	CAPACITOR COVER, STAMPED	1.000	3.00
51XB1016A05	10-16X5/16HX WA SL SR TYB (F/S)	2.000	2.00
HW5100A03SP	WAVY WASHER (W1543-017)	1.000	2.00
17EP3100B01	PU ENDPLATE, MACH W/HUB	1.000	16.00
XY0832A02	8-32 HEX NUT	4.000	2.00
RM1000A03SP	CUSHION RING, MDL 17-33-34	1.000	7.00
HA6004A01A	CLAMP CUSHION RING ASSY	1.000	4.00
34CB4501SP	TERMINAL BOX LID, STAMPED X (PLATED)	1.000	20.00
HW2501D13SP	KEY, 3/16 SQ X 1.375	1.000	2.00
HA7000A04	KEY RETAINER 0.625 DIA SHAFTS	1.000	2.00

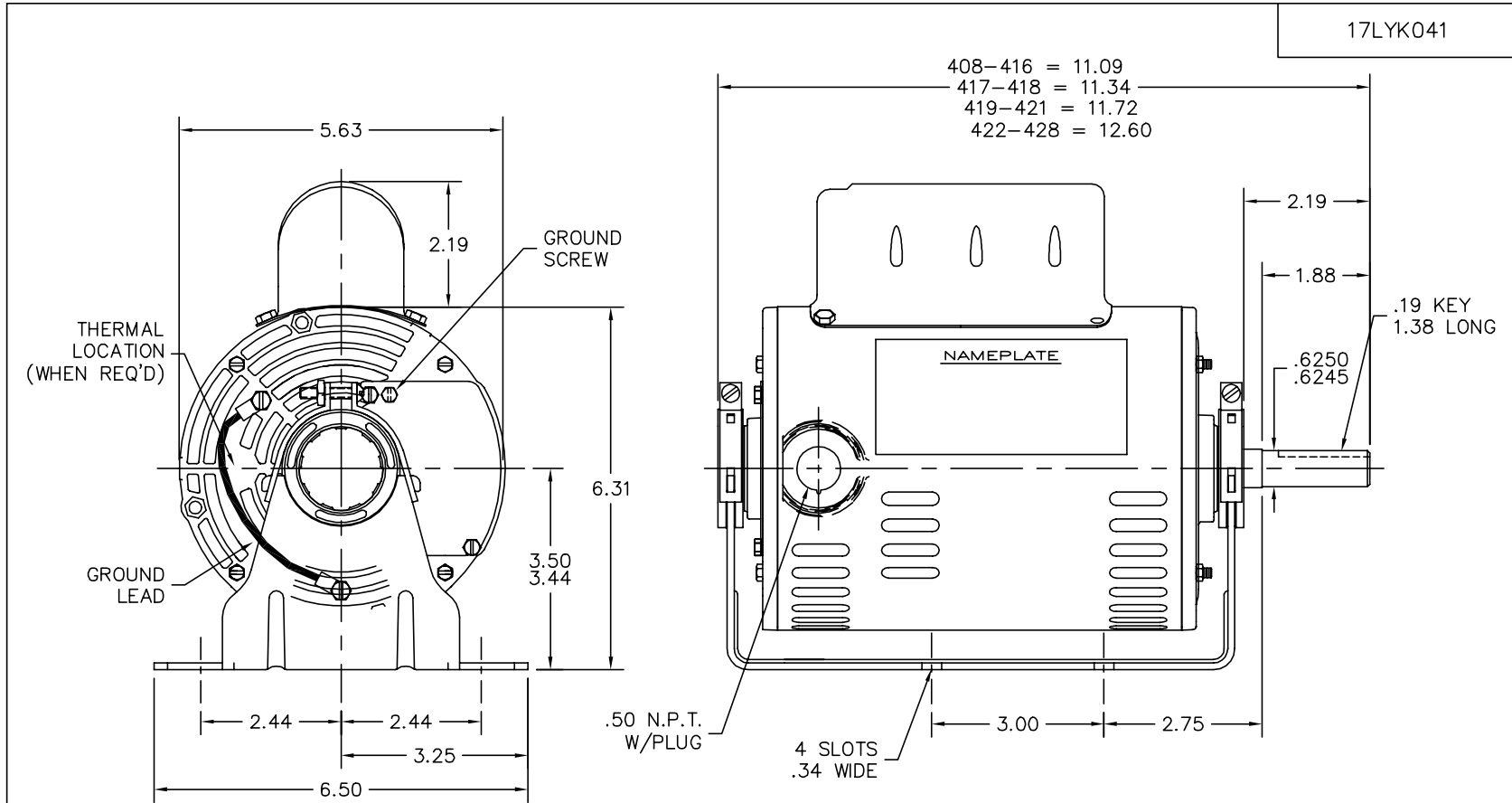
Parts List (continued)			
Product ID	Description	Quantity	List Price
51XW0832A07	8-32 X .44, TAPTITE II, HEX WSHR SLTD SE	2.000	2.00
17EP3200BT04	FR ENDPLATE, MACH W/HUB	1.000	20.00
NS2500A01	INSULATOR, AUTO THER PROT	1.000	2.00
SP5126	MDL 17L TERM PANEL 3 PH W/TABS & 3/4 THE	1.000	26.00
34BA4003J01A	RESILIENT BASE, MODEL 34 NEMA 56 AUTOPHO	1.000	46.00
HA3169A07	THRUBOLT #8-32 THDS X 8.188" LONG	4.000	2.00
LB1125A01SP	STOCK MTR CARTON LABEL LASER PRINTER	1.000	3.00
LB5040	INSTRUCTION TAG, AC & DC	1.000	2.00
NP1203A01	NP LABEL 1PH, DV, REV (FOR COMMERCIAL MO	1.000	
PA1000	PACKING GROUP 3500 SHORT	1.000	8.00
LD5317A01	LD ASSY, ML14-JH16, 7.5", W/(1)WD1000A15	1.000	2.00
LD5318A01	LD ASSY, ML14-1E16, 6", W/(1) WD1000A15	1.000	9.00
LD5000A102	LEAD ASSY, 16 GA, RED, #8, W/FLAG TERMS	1.000	2.00
LD53373	LEAD ASSY. MAG MATE	1.000	23.00

Performance Data at 230V, 60Hz, 0.75HP (Typical performance - Not guaranteed values)

General Characteristics							
Full Load Torque:	2.3 LB-FT			Start Configuration:	DOL		
No-Load Current:	1.4 Amps			Break-Down Torque:	3.6 LB-FT		
Line-line Res. @ 25°C.:	5.15 Ohms A Ph / 27.8 Ohms B Ph			Pull-Up Torque:	0.5 LB-FT		
Temp. Rise @ Rated Load:	39°C			Locked-Rotor Torque:	0.6 LB-FT		
Temp. Rise @ S.F. Load:	0°C			Starting Current:	13.5 Amps		
Load Characteristics							
% of Rated Load:	25	50	75	100	125	150	S.F.
Power Factor:	68.0	81.0	86.0	89.0	90.0	0.0	0.0
Efficiency:	52.1	65.9	69.5	68.6	62.0	0.0	0.0
Speed:	1773.0	1746.0	1714.0	1677.0	1606.0	0.0	0.0
Line Amperes:	1.8	2.4	3.1	3.9	5.2	0.0	0.0

Performance Graph at 230V, 60Hz, 0.75HP (Typical performance - Not guaranteed values)





17LYK041

CUSTOMER IS RESPONSIBLE FOR DETERMINING THAT MOTOR PERFORMANCE IS SUITABLE IN THE APPLICATION.

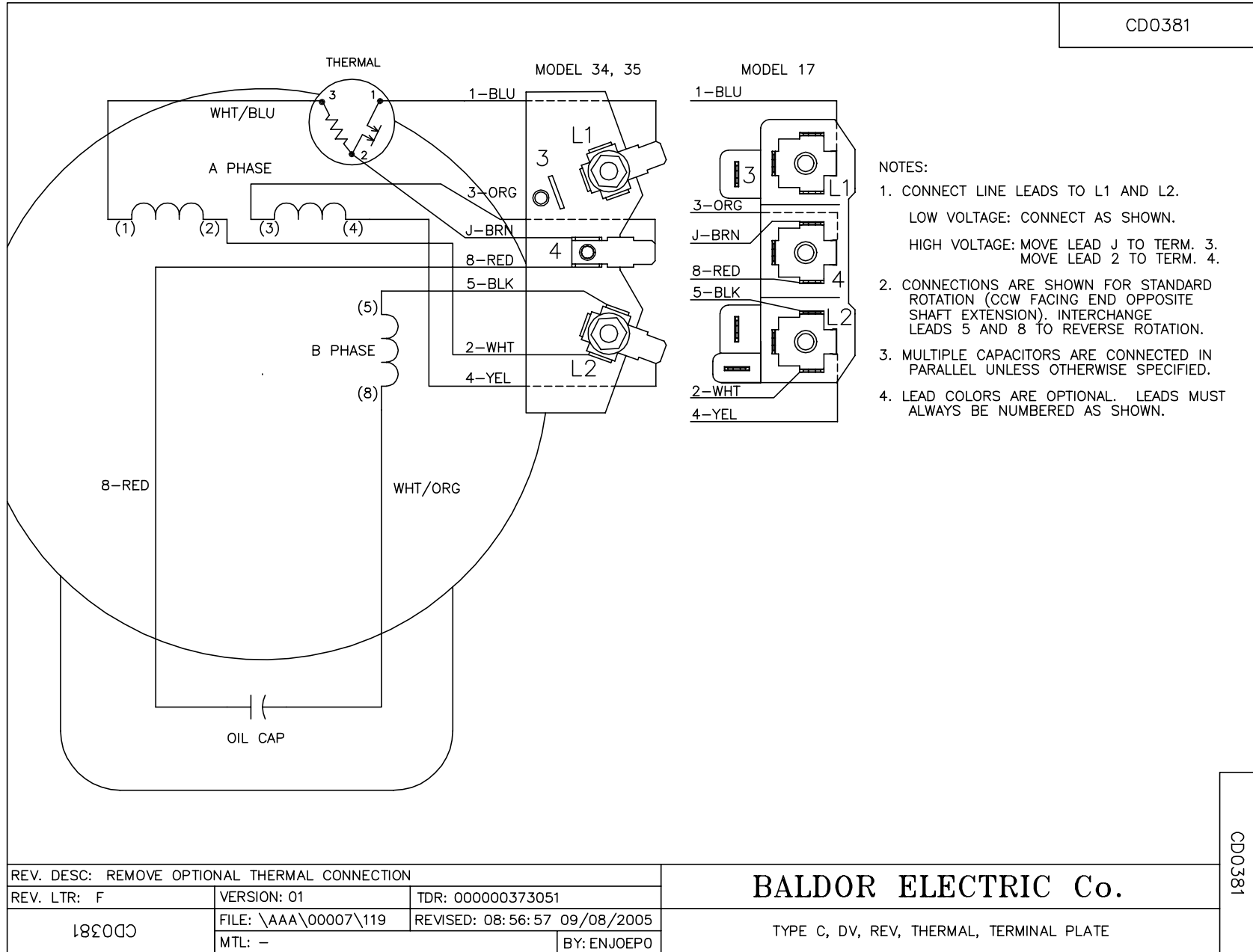
REV. DESC: NEW			
REV. LTR: -	BY: BF	REVISED: 14: 32: 59 01/30/2001	TDR: 230316
17LYK041		FILE: AAA00082479	REF: 17LYK041
		MTL: -	

BALDOR ELECTRIC Co.

RESIL 17C NEMA 56 OPEN

17LYK041

CD0381



CD0381

REV. DESC: REMOVE OPTIONAL THERMAL CONNECTION		
REV. LTR: F	VERSION: 01	TDR: 000000373051
182000	FILE: \AAA\00007\119	REVISED: 08:56:57 09/08/2005
	MTL: -	BY: ENJOEPO

BALDOR ELECTRIC Co.

TYPE C, DV, REV, THERMAL, TERMINAL PLATE