



# **BALDOR® • *RELIANCE***

## **Product Information Packet**

### **RHM365A**

**.5HP,1140RPM,3PH,60HZ,56,1720M,OPEN,F1**

Product Detail							
Revision:	K	Status:	PRD/A	Change #:		Proprietary:	No
Type:	AC	Prod Type:	1720M	Elec. Spec:	17WG418	CD Diagram:	CD0007
Enclosure	OPAO	Mfg Plant:		Mech Spec:	17K007	Layout:	17LYK007
Frame:	56	Mounting:	F1	Poles:	06	Created Date:	
Base:	RS	Rotation:	RS	Insulation:	B	Eff. Date:	05-16-2008
Leads:	12#18	Literature:		Elec. Diagram:		Replaced By:	

Nameplate NP1203							
CAT.NO.	RHM365A	ENCL			OPAO		
SPEC.	17K007W418	FRAME			56		
HP	.5						
VOLTS	230/460						
AMPS	2.2/1.1						
RPM	1140						
HZ	60	PH		3	CL		B
SER.F.	1.25	DES		B	CODE		K
FL EFF	71.9	PF					
RATING	40C AMB-CONT						
SF AMP	2.5/1.25	USABLE AT 208V			2.1		
SER.							
MANUAL	N	AUTO			Y	NONE	
BLANK							

<b>Parts List</b>			
<b>Product ID</b>	<b>Description</b>	<b>Quantity</b>	<b>List Price</b>
SA072127	SA 17K007W418	1.000	163.00
RA065915	RA 17K007W418	1.000	136.00
TPMYJ70KX	THERMAL 3PH 0.75 AUT 120C	1.000	64.00
WD4100A49	CAPLUG,BP-13/16,PLUG W/RECESSED HEAD	1.000	2.00
11XT0832G06	8-32 X 3/8 TY 23 TAP GRN. X	1.000	3.00
LD5000A52	LEAD ASSY W/INTERNAL STAR RING TERMINALS	1.000	5.00
11XT1032A06	10-32 X 3/8 HX WSHR HD SLTD TYPE 23	2.000	3.00
51XW0832A07	8-32 X .44, TAPTITE II, HEX WSHR SLTD SE	4.000	2.00
RM1000A03SP	CUSHION RING, MDL 17-33-34	1.000	7.00
HA6004A01A	CLAMP CUSHION RING ASSY	1.000	4.00
HW5100A03SP	WAVY WASHER (W1543-017)	1.000	2.00
17EP3100B01	PU ENDPLATE, MACH W/HUB	1.000	16.00
XY0832A02	8-32 HEX NUT	4.000	2.00
RM1000A03SP	CUSHION RING, MDL 17-33-34	1.000	7.00
HA6004A01A	CLAMP CUSHION RING ASSY	1.000	4.00
34CB4501SP	TERMINAL BOX LID, STAMPED X (PLATED)	1.000	20.00
51XW0832A07	8-32 X .44, TAPTITE II, HEX WSHR SLTD SE	2.000	2.00
HW2501D13SP	KEY, 3/16 SQ X 1.375	1.000	2.00
HA7000A04	KEY RETAINER 0.625 DIA SHAFTS	1.000	2.00
NS2500A01	INSULATOR, AUTO THER PROT	1.000	2.00
17EP3200BT04	FR ENDPLATE, MACH W/HUB	1.000	20.00
SP1042A01	TERM BOARD, MODEL 17 3 PHASE FOR .75" TH	1.000	6.00
34BA4003S01A	RESILIENT BASE, (LENGTH 8.59") AUTOPHORE	1.000	46.00
HA3169A05	THRUBOLT #8-32 THDS X 7.812" LONG	4.000	2.00

<b>Parts List (continued)</b>			
<b>Product ID</b>	<b>Description</b>	<b>Quantity</b>	<b>List Price</b>
LB1125A01SP	STOCK MTR CARTON LABEL LASER PRINTER	1.000	3.00
LB5040	INSTRUCTION TAG, AC & DC	1.000	2.00
LC0007	CONN.DIAGRAM (3PHASE W/THERMAL)	1.000	2.00
MG5017	VARNISH - PDG 2500	0.050	
NP1203	NP LABEL (FOR COMMERCIAL MOTOR)	1.000	
PK1001A01	CARDBOARD CARTON, BALDOR	1.000	4.00
PK4000C01	WAFERBOARD 10.50 X 13.375	1.000	2.00
PK3201A01	CARDBOARD LINER	1.000	2.00
LD5313A01	LEAD ASSY, ML1410B18, 11", DBL STRIPPED	1.000	2.00
LD5314A01	LEAD ASSY, ML1411B18, 11", DBL STRIPPED	1.000	2.00
LD5315A01	LEAD ASSY, ML1412B18, 11", DBL STRIPPED	1.000	2.00

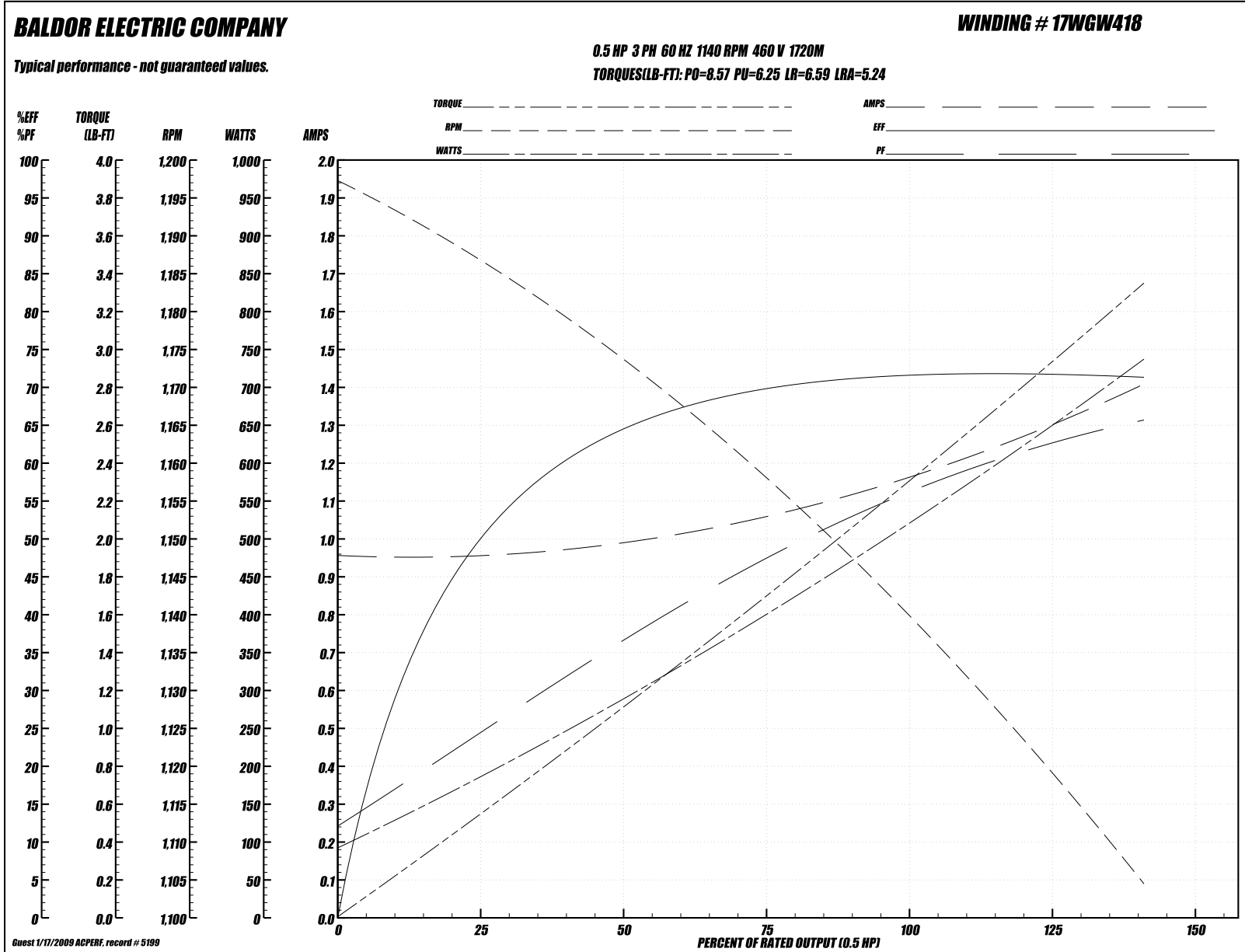
**Performance Data at 460V, 60Hz, 0.5HP (Typical performance - Not guaranteed values)**
**General Characteristics**

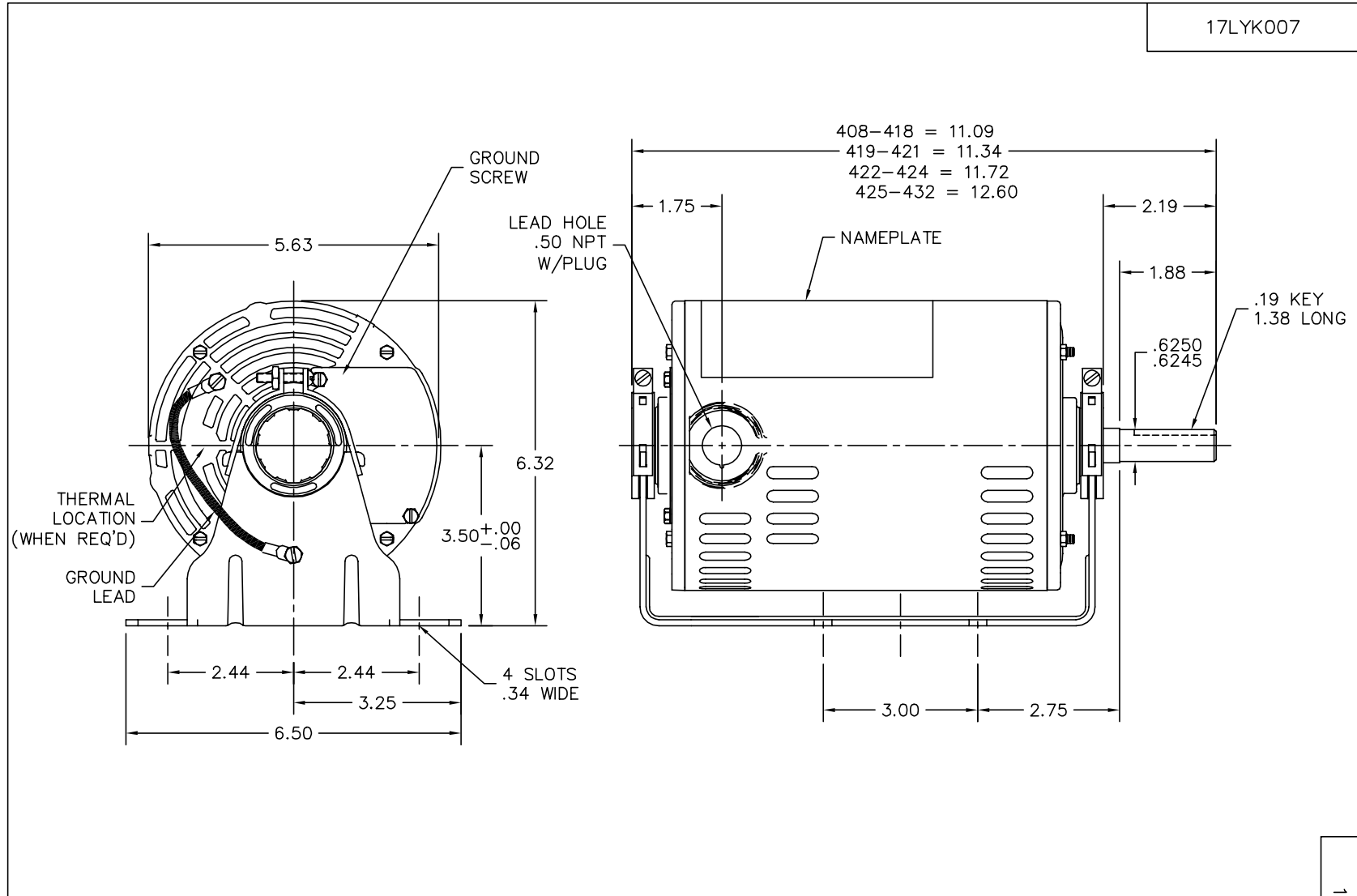
<b>Full Load Torque:</b>	2.24 LB-FT	<b>Start Configuration:</b>	DOL
<b>No-Load Current:</b>	0.95 Amps	<b>Break-Down Torque:</b>	8.57 LB-FT
<b>Line-line Res. @ 25°C.:</b>	36.72 Ohms A Ph / 0.0 Ohms B Ph	<b>Pull-Up Torque:</b>	6.25 LB-FT
<b>Temp. Rise @ Rated Load:</b>	68°C	<b>Locked-Rotor Torque:</b>	6.59 LB-FT
<b>Temp. Rise @ S.F. Load:</b>	83°C	<b>Starting Current:</b>	5.24 Amps

**Load Characteristics**

<b>% of Rated Load:</b>	<b>25</b>	<b>50</b>	<b>75</b>	<b>100</b>	<b>125</b>	<b>150</b>	<b>S.F.</b>
<b>Power Factor:</b>	25.0	37.0	47.0	56.0	62.0	65.0	62.0
<b>Efficiency:</b>	50.2	64.0	69.5	71.9	72.1	71.1	72.1
<b>Speed:</b>	1185.0	1172.0	1158.0	1144.0	1126.0	1102.0	1126.0
<b>Line Amperes:</b>	0.96	1.0	1.06	1.14	1.26	1.42	1.26

Performance Graph at 460V, 60Hz, 0.5HP (Typical performance - Not guaranteed values)





CUSTOMER IS RESPONSIBLE FOR DETERMINING THAT MOTOR PERFORMANCE IS SUITABLE IN THE APPLICATION.

REV. DESC: CHG'D DESC TO OPAO PER DOUG THRIFT

REV. LTR: B

VERSION: 01

TDR: 000000446188

**BALDOR • DODGE • RELIANCE**

17LYK007

FILE: \AAA\00075\691

REVISED: 13:13:46 10/16/2007

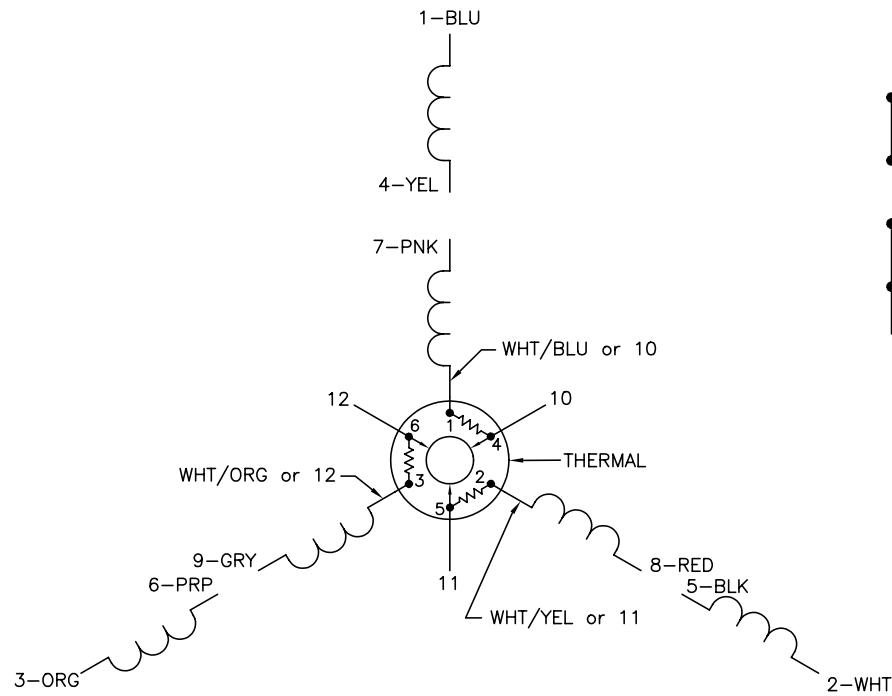
MTL: -

BY: ENTERDO

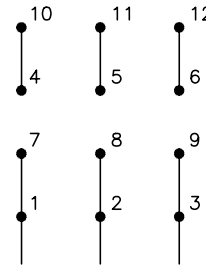
RESIL 17M NEMA 56 OPAO

17LYK007

CD0007

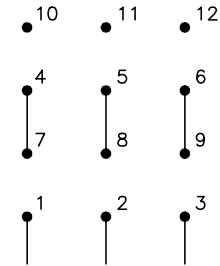


LOW VOLTAGE  
(2Y)



LINE

HIGH VOLTAGE  
(1Y)



LINE

NOTES:

1. INTERCHANGE ANY TWO LINE LEADS TO REVERSE ROTATION.
2. ACTUAL NUMBER OF INTERNAL PARALLEL CIRCUITS MAY VARY.
3. LEAD COLORS ARE OPTIONAL. LEADS MUST ALWAYS BE NUMBERED AS SHOWN.

REV. DESC: ADDED "CK" PLANT CODE			
REV. LTR: E	BY: EAH	REVISED: 05/06/99 17:1	TDR: 0181040
L00000		FILE: AAA00008370	MDL: -
		MTL: -	

**BALDOR ELECTRIC Co.**

3PH, DV, THERMAL, 12 LEADS

CD0007