



BALDOR® • *RELIANCE*

Product Information Packet

RHM445A

.75HP,1725RPM,3PH,60HZ,56,1716M,OPEN,F1

| Product Detail | | | | | | | |
|----------------|-------|-------------|-------|----------------|----------|---------------|------------|
| Revision: | L | Status: | PRD/A | Change #: | | Proprietary: | No |
| Type: | AC | Prod Type: | 1716M | Elec. Spec: | 17WGW375 | CD Diagram: | CD0007 |
| Enclosure | OPAO | Mfg Plant: | | Mech Spec: | 17K007 | Layout: | 17LYK007 |
| Frame: | 56 | Mounting: | F1 | Poles: | 04 | Created Date: | |
| Base: | RS | Rotation: | R | Insulation: | B | Eff. Date: | 04-08-2008 |
| Leads: | 12#18 | Literature: | | Elec. Diagram: | | Replaced By: | |

| Nameplate NP1203 | | | | | | | |
|------------------|--------------|----------------|--|---|------|------|---|
| CAT.NO. | RHM445A | ENCL | | | OPAO | | |
| SPEC. | 17K007W375 | FRAME | | | 56 | | |
| HP | .75 | | | | | | |
| VOLTS | 230/460 | | | | | | |
| AMPS | 3.4/1.7 | | | | | | |
| RPM | 1725 | | | | | | |
| HZ | 60 | PH | | 3 | CL | | B |
| SER.F. | 1.25 | DES | | B | CODE | | L |
| FL EFF | 68.5 | PF | | | | | |
| RATING | 40C AMB-CONT | | | | | | |
| SF AMP | 3.6/1.8 | USABLE AT 208V | | | 3 | | |
| SER. | | | | | | | |
| MANUAL | N | AUTO | | | Y | NONE | |
| BLANK | | | | | | | |

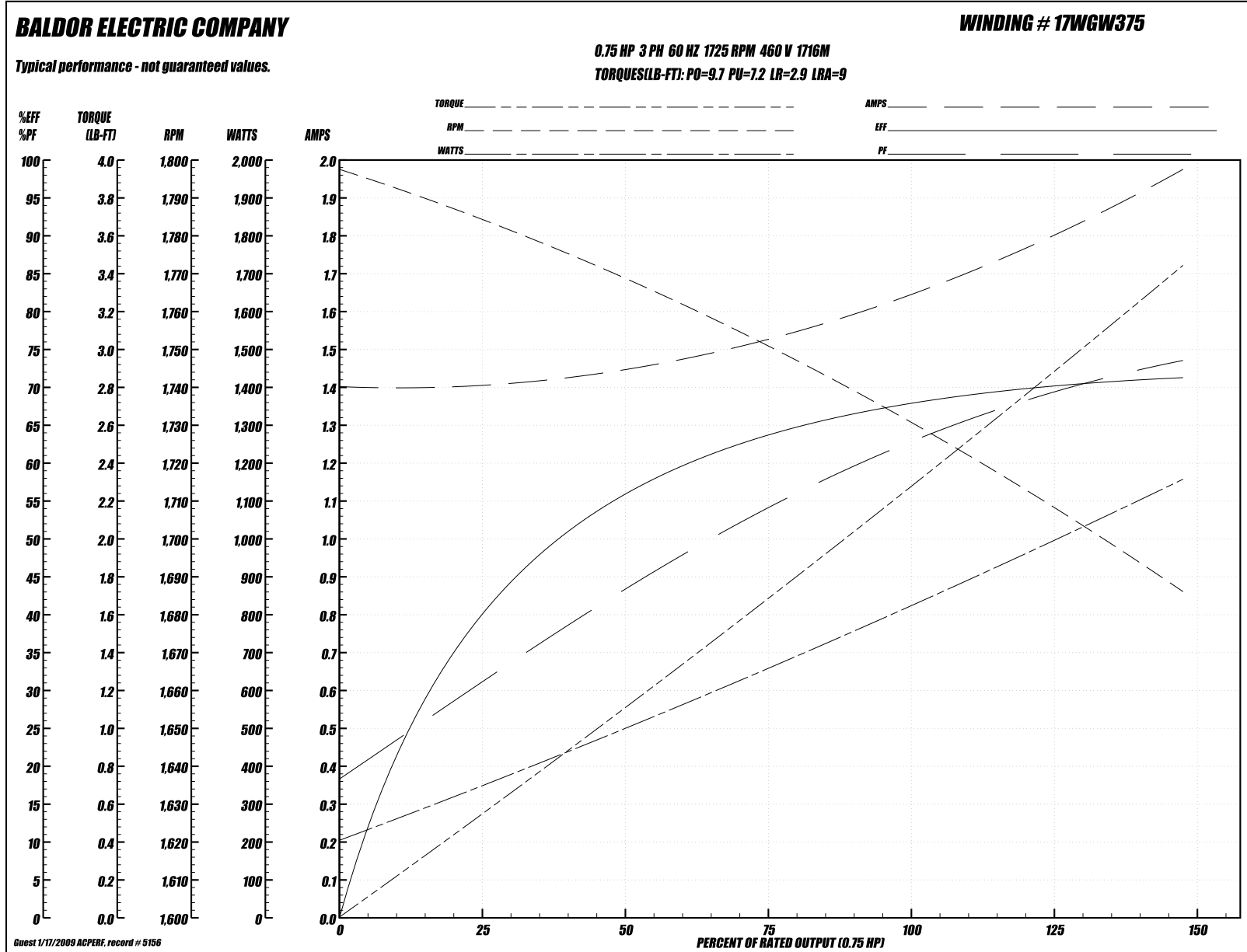
| Parts List | | | |
|-------------------|--|-----------------|-------------------|
| Product ID | Description | Quantity | List Price |
| SA070444 | SA 17K007W375 | 1.000 | 153.00 |
| RA064337 | RA 17K007W375 | 1.000 | 128.00 |
| TPMYJ66KX | THERMAL 3PH 0.75 AUT 120C | 1.000 | 64.00 |
| WD4100A49 | CAPLUG,BP-13/16,PLUG W/RECESSED HEAD | 1.000 | 2.00 |
| 11XT0832G06 | 8-32 X 3/8 TY 23 TAP GRN. X | 1.000 | 3.00 |
| LD5000A52 | LEAD ASSY W/INTERNAL STAR RING TERMINALS | 1.000 | 5.00 |
| 11XT1032A06 | 10-32 X 3/8 HX WSHR HD SLTD TYPE 23 | 2.000 | 3.00 |
| 51XW0832A07 | 8-32 X .44, TAPTITE II, HEX WSHR SLTD SE | 4.000 | 2.00 |
| RM1000A03SP | CUSHION RING, MDL 17-33-34 | 1.000 | 7.00 |
| HA6004A01A | CLAMP CUSHION RING ASSY | 1.000 | 4.00 |
| HW5100A03SP | WAVY WASHER (W1543-017) | 1.000 | 2.00 |
| 17EP3100B01 | PU ENDPLATE, MACH W/HUB | 1.000 | 16.00 |
| XY0832A02 | 8-32 HEX NUT | 4.000 | 2.00 |
| RM1000A03SP | CUSHION RING, MDL 17-33-34 | 1.000 | 7.00 |
| HA6004A01A | CLAMP CUSHION RING ASSY | 1.000 | 4.00 |
| 34CB4501SP | TERMINAL BOX LID, STAMPED X (PLATED) | 1.000 | 20.00 |
| 51XW0832A07 | 8-32 X .44, TAPTITE II, HEX WSHR SLTD SE | 2.000 | 2.00 |
| HW2501D13SP | KEY, 3/16 SQ X 1.375 | 1.000 | 2.00 |
| HA7000A04 | KEY RETAINER 0.625 DIA SHAFTS | 1.000 | 2.00 |
| 17EP3200BT04 | FR ENDPLATE, MACH W/HUB | 1.000 | 20.00 |
| SP1042A01 | TERM BOARD, MODEL 17 3 PHASE FOR .75" TH | 1.000 | 6.00 |
| 34BA4003A01A | RESILIENT BASE, (LENGTH 8.22") AUTOPHORE | 1.000 | 45.00 |
| HA3169A04 | THRUBOLT #8-32 THDS X 7.562" LONG | 4.000 | 2.00 |
| MG5017 | VARNISH - PDG 2500 | 0.050 | |

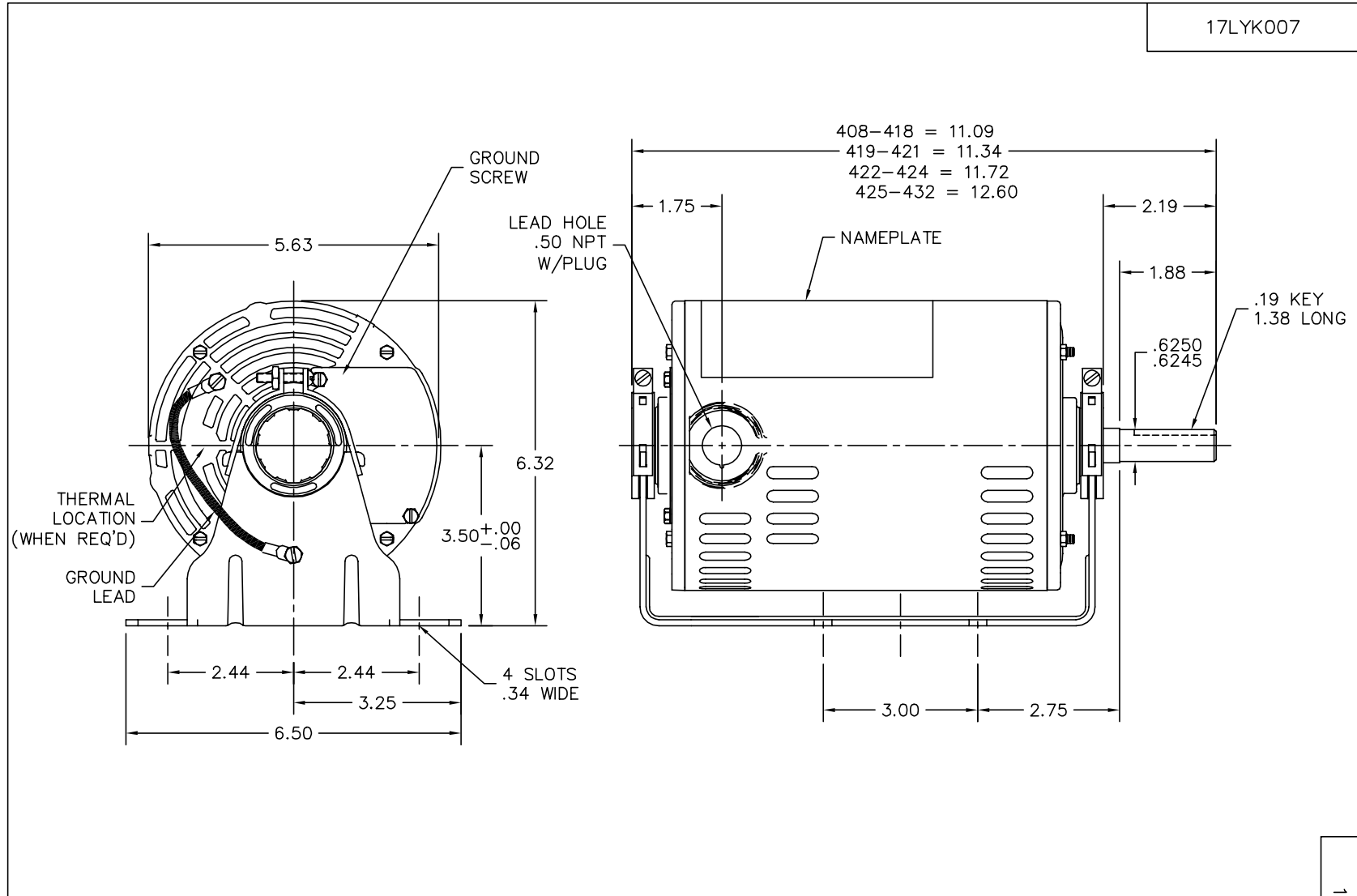
| Parts List (continued) | | | |
|-------------------------------|---|-----------------|-------------------|
| Product ID | Description | Quantity | List Price |
| LB1125A01SP | STOCK MTR CARTON LABEL LASER PRINTER | 1.000 | 3.00 |
| LB5040 | INSTRUCTION TAG, AC & DC | 1.000 | 2.00 |
| NP1203 | NP LABEL (FOR COMMERCIAL MOTOR) | 1.000 | |
| 34PA1002 | PACKING GROUP, BALDOR | 1.000 | 13.00 |
| LD5313A01 | LEAD ASSY, ML1410B18, 11", DBL STRIPPED | 1.000 | 2.00 |
| LD5314A01 | LEAD ASSY, ML1411B18, 11", DBL STRIPPED | 1.000 | 2.00 |
| LD5315A01 | LEAD ASSY, ML1412B18, 11", DBL STRIPPED | 1.000 | 2.00 |

Performance Data at 460V, 60Hz, 0.75HP (Typical performance - Not guaranteed values)

| General Characteristics | | | | | | | |
|---------------------------------|---------------------------------|-----------|-----------|-----------------------------|------------|------------|-------------|
| Full Load Torque: | 2.3 LB-FT | | | Start Configuration: | DOL | | |
| No-Load Current: | 1.4 Amps | | | Break-Down Torque: | 9.7 LB-FT | | |
| Line-line Res. @ 25°C.: | 34.68 Ohms A Ph / 0.0 Ohms B Ph | | | Pull-Up Torque: | 7.2 LB-FT | | |
| Temp. Rise @ Rated Load: | 78°C | | | Locked-Rotor Torque: | 2.9 LB-FT | | |
| Temp. Rise @ S.F. Load: | 89°C | | | Starting Current: | 9.0 Amps | | |
| Load Characteristics | | | | | | | |
| % of Rated Load: | 25 | 50 | 75 | 100 | 125 | 150 | S.F. |
| Power Factor: | 32.0 | 45.0 | 55.0 | 62.0 | 70.0 | 74.0 | 70.0 |
| Efficiency: | 40.7 | 56.0 | 64.1 | 68.5 | 70.4 | 71.0 | 70.4 |
| Speed: | 1782.0 | 1767.0 | 1749.0 | 1731.0 | 1711.0 | 1684.0 | 1711.0 |
| Line Amperes: | 1.41 | 1.45 | 1.53 | 1.66 | 1.79 | 1.98 | 1.79 |

Performance Graph at 460V, 60Hz, 0.75HP (Typical performance - Not guaranteed values)





CUSTOMER IS RESPONSIBLE FOR DETERMINING THAT MOTOR PERFORMANCE IS SUITABLE IN THE APPLICATION.

REV. DESC: CHG'D DESC TO OPAO PER DOUG THRIFT

REV. LTR: B

VERSION: 01

TDR: 000000446188

BALDOR • DODGE • RELIANCE

17LYK007

FILE: \AAA\00075\691

REVISED: 13:13:46 10/16/2007

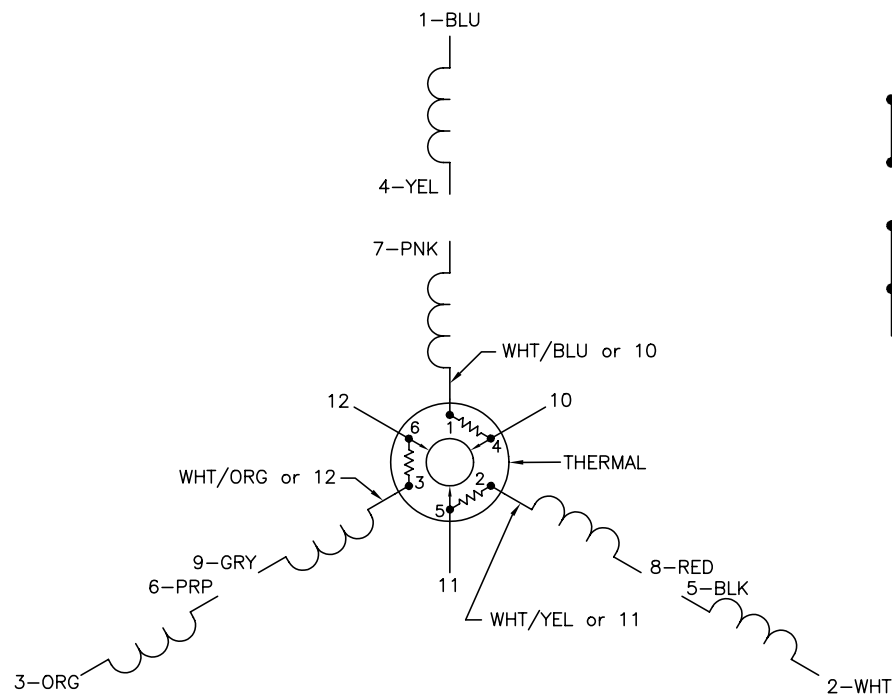
MTL: -

BY: ENTERDO

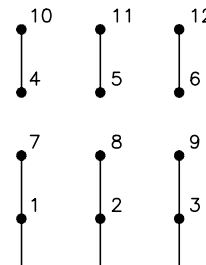
RESIL 17M NEMA 56 OPAO

17LYK007

CD0007

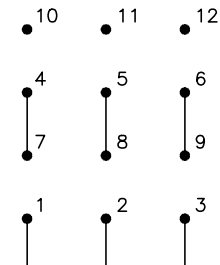


LOW VOLTAGE
(2Y)



LINE

HIGH VOLTAGE
(1Y)



LINE

NOTES:

1. INTERCHANGE ANY TWO LINE LEADS TO REVERSE ROTATION.
2. ACTUAL NUMBER OF INTERNAL PARALLEL CIRCUITS MAY VARY.
3. LEAD COLORS ARE OPTIONAL. LEADS MUST ALWAYS BE NUMBERED AS SHOWN.

| | | | |
|----------------------------------|---------|------------------------|--------------|
| REV. DESC: ADDED "CK" PLANT CODE | | | |
| REV. LTR: E | BY: EAH | REVISED: 05/06/99 17:1 | TDR: 0181040 |
| L00000 | | FILE: AAA00008370 | MDL: - |
| | | MTL: - | |

BALDOR ELECTRIC Co.

3PH, DV, THERMAL, 12 LEADS

CD0007