



BALDOR® • *RELIANCE*

Product Information Packet

VCP3581-4

1HP,1725RPM,3PH,60HZ,56C,0516M,TEFC,F1

Product Detail

Revision:	S	Status:	PRD/A	Change #:		Proprietary:	No
Type:	AC	Prod Type:	0516M	Elec. Spec:	05WGW025	CD Diagram:	CD0006
Enclosure	TEFC	Mfg Plant:		Mech Spec:	05E003	Layout:	05LYE003
Frame:	56C	Mounting:	F1	Poles:	04	Created Date:	
Base:	N	Rotation:	R	Insulation:	F	Eff. Date:	11-13-2007
Leads:	3#18	Literature:		Elec. Diagram:		Replaced By:	

Nameplate NP2072E

CAT.NO.	VCP3581-4						
SPEC.	05E03W25						
HP	1						
VOLTS	460						
AMP	1.7						
RPM	1725						
FRAME	56C	HZ	60	PH	3		
SER.F.	1.15	CODE	J	DES	B	CL	F
NEMA-NOM-EFF	77	PF	74				
RATING	40C AMB-CONT						
CC							USABLE AT 208V
DE	6205	ODE	6203				
ENCL	TEFC	SN					

Nameplate NP0090E

FRONT	6203
PULLEY	6205
LUBRICATE WITH	
GREASE	POLYREX EM

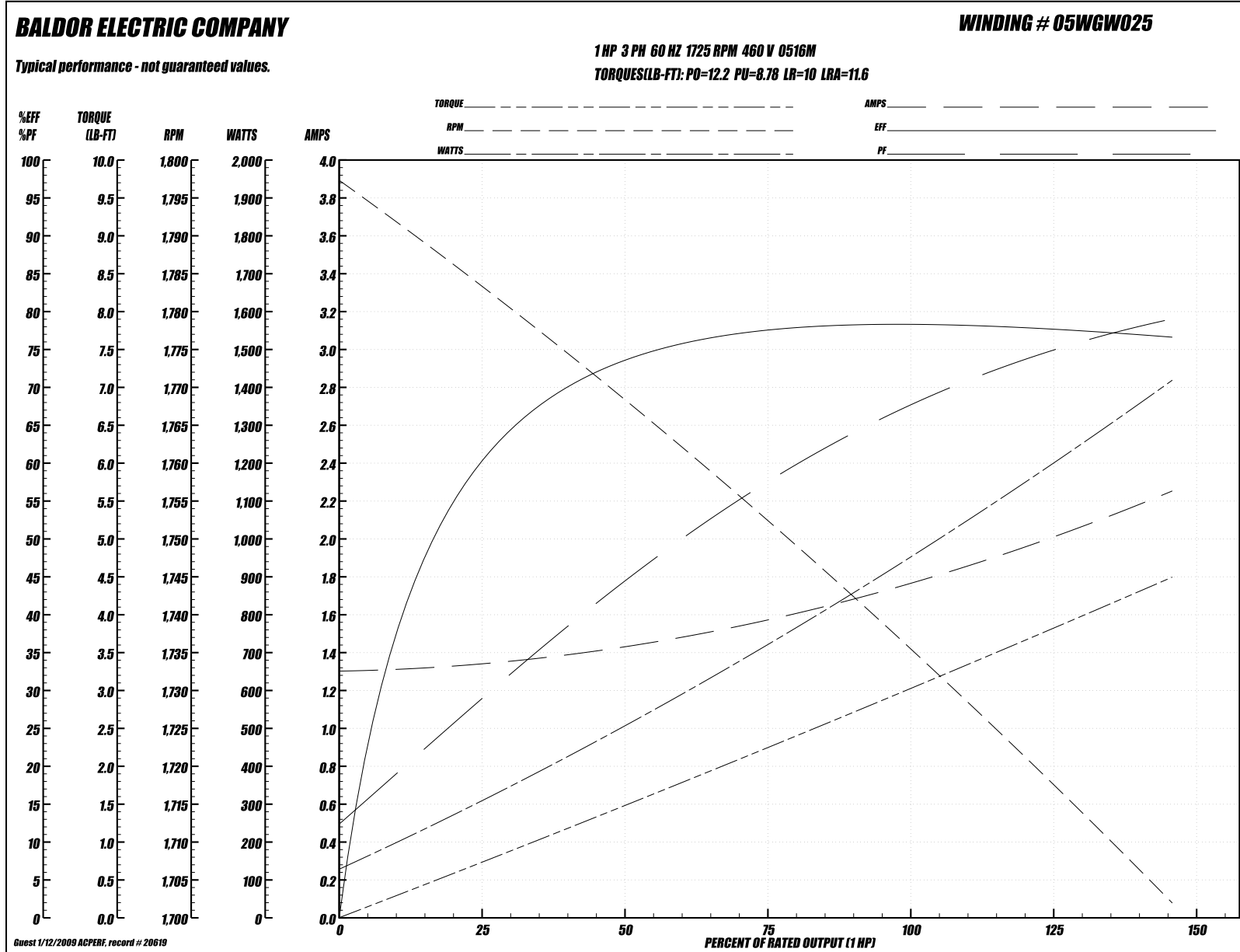
Parts List			
Product ID	Description	Quantity	List Price
SA019335	SA 05E03W25	1.000	323.00
RA015388	RA 05E03W25	1.000	267.00
HW3201A05	3/8-16 EYEBOLT	1.000	17.00
06CB1000A02G	CONDUIT BOX, MACH GRAY	1.000	31.00
RM1016	LEAD SEPARATOR GASKET - 305/306 C.P.MOTO	1.000	16.00
51XW2520A12	.25-20 X .75, TAPTITE II, HEX WSHR SLTD	2.000	2.00
11XW1032G06	10-32 X .38, TAPTITE II, HEX WSHR SLTD U	1.000	3.00
HW3001A01	D3019 BRASS WASHER(STIMP)	1.000	2.00
10XN2520S06	1/4 20X3/8 HX HD CAP S.S.	1.000	2.00
WD1000B16	KPA-4C BURNDY TERMINAL	1.000	4.00
35EP1100A42G	SPL FRONT E.P. 35M TEFC FOR (CP) MOTOR	1.000	66.00
HW5100A03SP	WAVY WASHER (W1543-017)	1.000	2.00
35EP1300A36G	SPL FACE MTD. E.P. ENCL. 56C 05 BRG FOR	1.000	123.00
51XN1032A20	10-32 X 1 1/4 HX WS SL SR	2.000	2.00
HA3100A47	THRUBOLT 10-32 X 7.625	4.000	2.00
35FN3002A05SP	EXTERNAL FAN, PLASTIC, FOR .637 DIA JOUR	1.000	22.00
51XB1214A16	12-14X1.00 HXWSSLD SERTYB	1.000	2.00
35FH1000A02G	35FH1000A02 W/GRAY EPOXY	1.000	86.00
10XN2520A16	1/4-20 X 1 HEX HEAD CAP SCR, ZINC PLATED	3.000	2.00
HW1001A25	LOCKWASHER 1/4, ZINC PLT .493 OD, .255 I	3.000	2.00
HW4600B32SP	V-RING SLINGER 1.000 X 1.540 X 0.240	1.000	6.00
06CB1500A01G	CONDUIT BOX LID, MACH GRAY	1.000	23.00
06GS1003	GASKET, KOBX LID, 1/8" THICK BLACK NEOPR	1.000	2.00
10XN2520A12	1/4-20X 3/4 HEX HEAD CAP	2.000	2.00

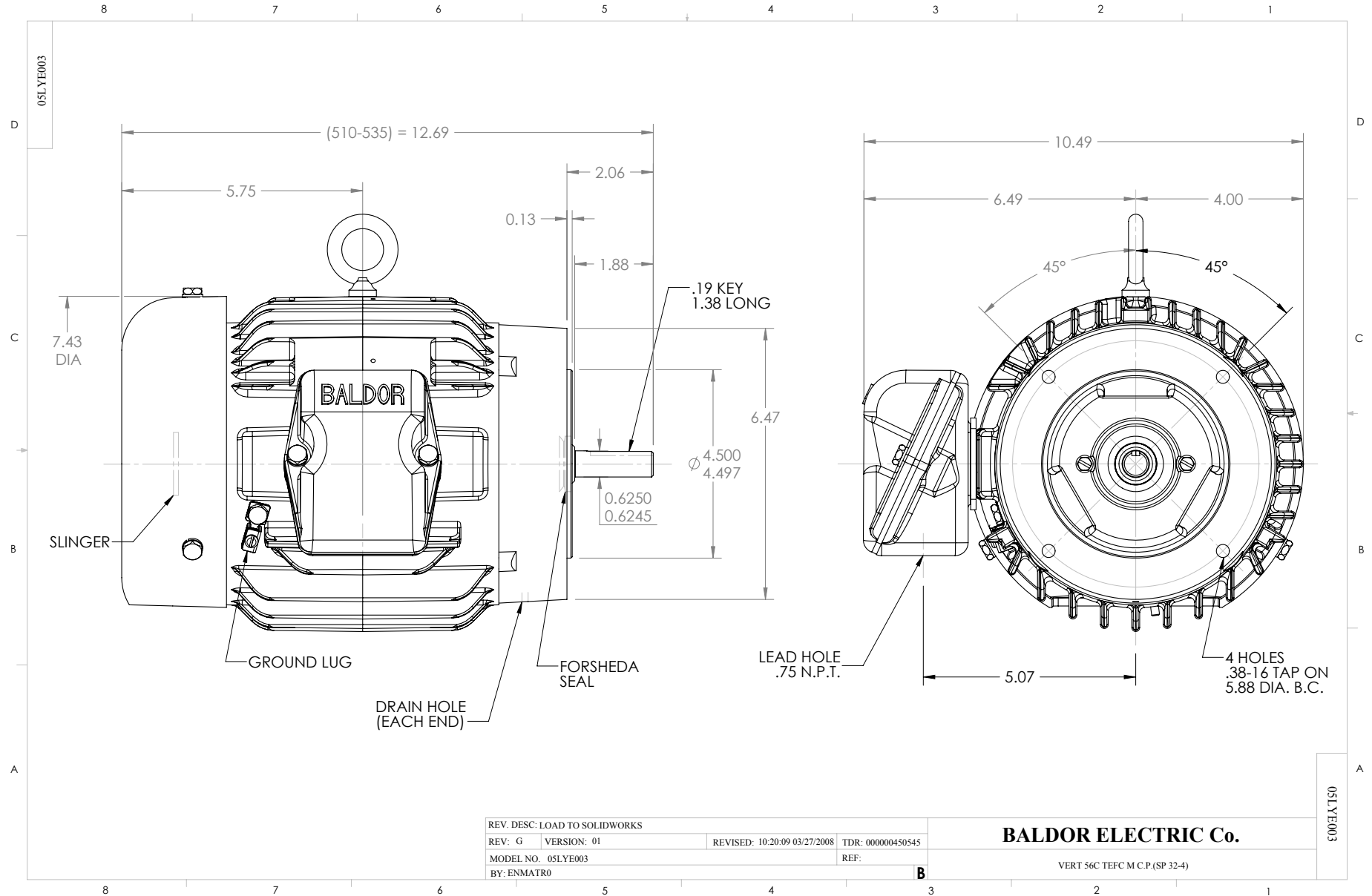
Parts List (continued)			
Product ID	Description	Quantity	List Price
HW1001A25	LOCKWASHER 1/4, ZINC PLT .493 OD, .255 I	2.000	2.00
HA1005A05SP	35-309 SLINGER	1.000	2.00
HW2501D13SP	KEY, 3/16 SQ X 1.375	1.000	2.00
HA7000A04	KEY RETAINER 0.625 DIA SHAFTS	1.000	2.00
MJ5001A01	46-665 RED SEALER	0.001	57.00
85XU0407S04	4X1/4 U DRIVE PIN STAINLESS	4.000	2.00
MJ1000A02	GREASE, POLYREX EM EXXON	0.050	10.00
MG1025N19	PAINT, 778.01 WILKO, RELIANCE ELEC GREEN	0.022	196.00
LB1002	LABEL,MARINE DUTY (ON ROLLS)	1.000	2.00
LB1119	WARNING LABEL	1.000	2.00
LB1125C01	STD (STOCK) CARTON LABEL BALDOR WITH FLA	1.000	2.00
NP2072E	NAMEPLATE,SEVER DUTY XT	1.000	
NP0090E	NP BRG INFO EMBOSSED	1.000	
LC0006	CONNECTION LABEL	1.000	3.00
36PA1000	PACK GROUP W/LB5001	1.000	17.00
PK3082	STYROFOAB CRADLE	1.000	2.00

Performance Data at 460V, 60Hz, 1.0HP (Typical performance - Not guaranteed values)

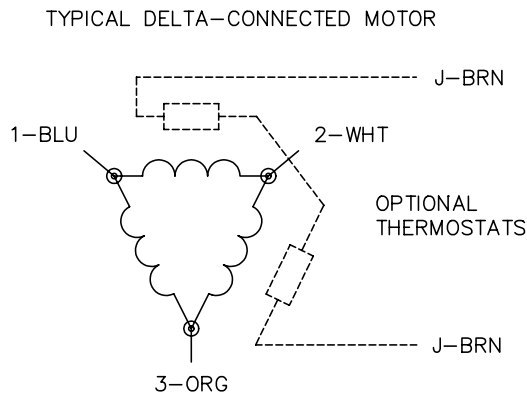
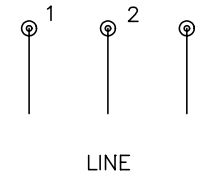
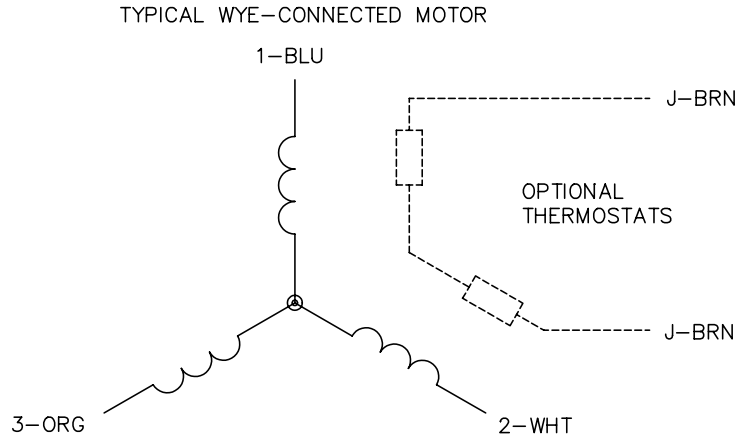
General Characteristics							
Full Load Torque:	3.0 LB-FT			Start Configuration:	DOL		
No-Load Current:	1.3 Amps			Break-Down Torque:	12.2 LB-FT		
Line-line Res. @ 25°C.:	18.93 Ohms A Ph / 0.0 Ohms B Ph			Pull-Up Torque:	8.78 LB-FT		
Temp. Rise @ Rated Load:	34°C			Locked-Rotor Torque:	10.0 LB-FT		
Temp. Rise @ S.F. Load:	40°C			Starting Current:	11.6 Amps		
Load Characteristics							
% of Rated Load:	25	50	75	100	125	150	S.F.
Power Factor:	34.0	49.0	63.0	72.0	77.0	82.0	75.0
Efficiency:	63.3	73.4	77.2	78.1	77.9	76.7	78.0
Speed:	1782.0	1768.0	1753.0	1735.0	1721.0	1701.0	1727.0
Line Amperes:	1.35	1.43	1.56	1.77	1.99	2.25	1.9

Performance Graph at 460V, 60Hz, 1.0HP (Typical performance - Not guaranteed values)





CD0006



NOTES:

1. THREE LEAD MOTOR MAY BE EITHER WYE CONNECTED OR DELTA CONNECTED.
2. INTERCHANGE ANY TWO LINE LEADS TO REVERSE ROTATION.
3. OPTIONAL THERMOSTATS ARE PROVIDED WHEN SPECIFIED.
4. ACTUAL NUMBER OF INTERNAL PARALLEL CIRCUITS MAY VARY.
5. LEAD COLORS ARE OPTIONAL. LEADS MUST BE NUMBERED AS SHOWN.

REV. DESC: REVISE TO SHOW OPTIONAL COLORS			
REV. LTR: D	BY: JLP	REVISED: 01/21/99 4:02	TDR: 0171435
9000D		FILE: AAA00005141	MDL: -
		MTL: -	

BALDOR ELECTRIC Co.

3PH, SV, 3 LEADS, WYE OR DELTA CONNECTED

CD0006