



BALDOR® • *RELIANCE*

Product Information Packet

VECP3581-4

1HP,1765RPM,3PH,60HZ,56C,0524M,TEFC,F1,N

Product Detail							
Revision:	B	Status:	PRD/A	Change #:		Proprietary:	No
Type:	AC	Prod Type:	0524M	Elec. Spec:	05WGW751	CD Diagram:	CD0006
Enclosure	TEFC	Mfg Plant:		Mech Spec:	05E998	Layout:	05LYE998
Frame:	56C	Mounting:	F1	Poles:	04	Created Date:	07-26-2007
Base:	N	Rotation:	R	Insulation:	F	Eff. Date:	02-18-2008
Leads:	3#18	Literature:		Elec. Diagram:		Replaced By:	

Nameplate NP2068E									
CAT.NO.	VECP3581-4								
SPEC.	05E998W751G1								
HP	1								
VOLTS	460								
AMP	1.5								
RPM	1765								
FRAME	56C	HZ	60	PH	3				
SER.F.	1.15	CODE	N	DES	B	CL	F		
NEMA-NOM-EFF	87.5	PF	70						
RATING	40C AMB-CONT								
CC				USABLE AT 208V					
DE	6205	ODE	6205						
ENCL	TEFC	SN							

Parts List			
Product ID	Description	Quantity	List Price
SA161185	SA 05E998W751G1	1.000	506.00
RA149750	RA 05E998W751G1	1.000	422.00
34FN3002B01	EXTERNAL FAN, PLASTIC, .637/.639 HUB W/	1.000	15.00
S/P107-000-001	SUPER E PROC'S-FS & WS PLTS-POLYREX EM G	1.000	
06CB1000A02G	CONDUIT BOX, MACH GRAY	1.000	31.00
RM1016	LEAD SEPARATOR GASKET - 305/306 C.P.MOTO	1.000	16.00
51XW2520A12	.25-20 X .75, TAPTITE II, HEX WSHR SLTD	2.000	2.00
11XW1032G06	10-32 X .38, TAPTITE II, HEX WSHR SLTD U	1.000	3.00
HW3001A01	D3019 BRASS WASHER(STIMP)	1.000	2.00
10XN2520S06	1/4 20X3/8 HX HD CAP S.S.	1.000	2.00
WD1000B16	KPA-4C BURNDY TERMINAL	1.000	4.00
35EP1102B03G	FREP TEFC 205 BRG,GRSR,RLF,.125 NPT DRAI	1.000	86.00
HW4500A19	1/4-28X1/4 SLOTTED PLUG F/S	1.000	2.00
HW4500A17	317400 ALEMITE GREASE RELIEF	1.000	4.00
HA4001A01SP	DRAIN PLUG, PLASTIC (MICRO PLAS)	1.000	2.00
HW5100A05	WVY WSHR F/205 & 304 BRGS	1.000	2.00
35EP1329A16G	PUEP ENCL 143-5TC 205 BRG,GRSR,RLF,NPT D	1.000	179.00
HW4500A19	1/4-28X1/4 SLOTTED PLUG F/S	1.000	2.00
HW4500A17	317400 ALEMITE GREASE RELIEF	1.000	4.00
HA4001A01SP	DRAIN PLUG, PLASTIC (MICRO PLAS)	1.000	2.00
51XN1032A20	10-32 X 1 1/4 HX WS SL SR	2.000	2.00
HA3100A28	THRUBOLT 10-32 X 8.187	4.000	2.00
51XB1214A16	12-14X1.00 HXWSSLD SERTYB	1.000	2.00
35FH1000A01G	35FH1000A01 W/GRAY FLUIDIZ	1.000	86.00

Parts List (continued)			
Product ID	Description	Quantity	List Price
10XN2520A16	1/4-20 X 1 HEX HEAD CAP SCR, ZINC PLATED	3.000	2.00
HW1001A25	LOCKWASHER 1/4, ZINC PLT .493 OD, .255 I	3.000	2.00
06CB1500A01G	CONDUIT BOX LID, MACH GRAY	1.000	23.00
06GS1003	GASKET, KOBX LID, 1/8" THICK BLACK NEOPR	1.000	2.00
10XN2520A12	1/4-20X 3/4 HEX HEAD CAP	2.000	2.00
HW1001A25	LOCKWASHER 1/4, ZINC PLT .493 OD, .255 I	2.000	2.00
HW4600B32SP	V-RING SLINGER 1.000 X 1.540 X 0.240	1.000	6.00
HA1005A03SP	6-1119 SLINGER, .937 I.D. X 1.75 O.D. X	1.000	3.00
HW2501D13SP	KEY, 3/16 SQ X 1.375	1.000	2.00
HA7000A04	KEY RETAINER 0.625 DIA SHAFTS	1.000	2.00
MJ5001A01	46-665 RED SEALER	0.001	57.00
85XU0407S04	4X1/4 U DRIVE PIN STAINLESS	2.000	2.00
LB1002	LABEL, MARINE DUTY (ON ROLLS)	1.000	2.00
MJ1000A02	GREASE, POLYREX EM EXXON	0.050	10.00
MG1025N19	PAINT, 778.01 WILKO, RELIANCE ELEC GREEN	0.022	196.00
LB1119	WARNING LABEL	1.000	2.00
LB1125C02	SUPER-E (STOCK CTN LABEL SUPER-E WITH FL	1.000	2.00
LC0006	CONNECTION LABEL	1.000	3.00
LB1357	ENERGY GUIDE LABEL (BOX LABEL)	1.000	2.00
NP2068E	STD NAMEPLATE, SUPER-E SEVER DUTY XEX	1.000	
36PA1000	PACK GROUP W/LB5001	1.000	17.00
PK3082	STYROFOAB CRADLE	1.000	2.00

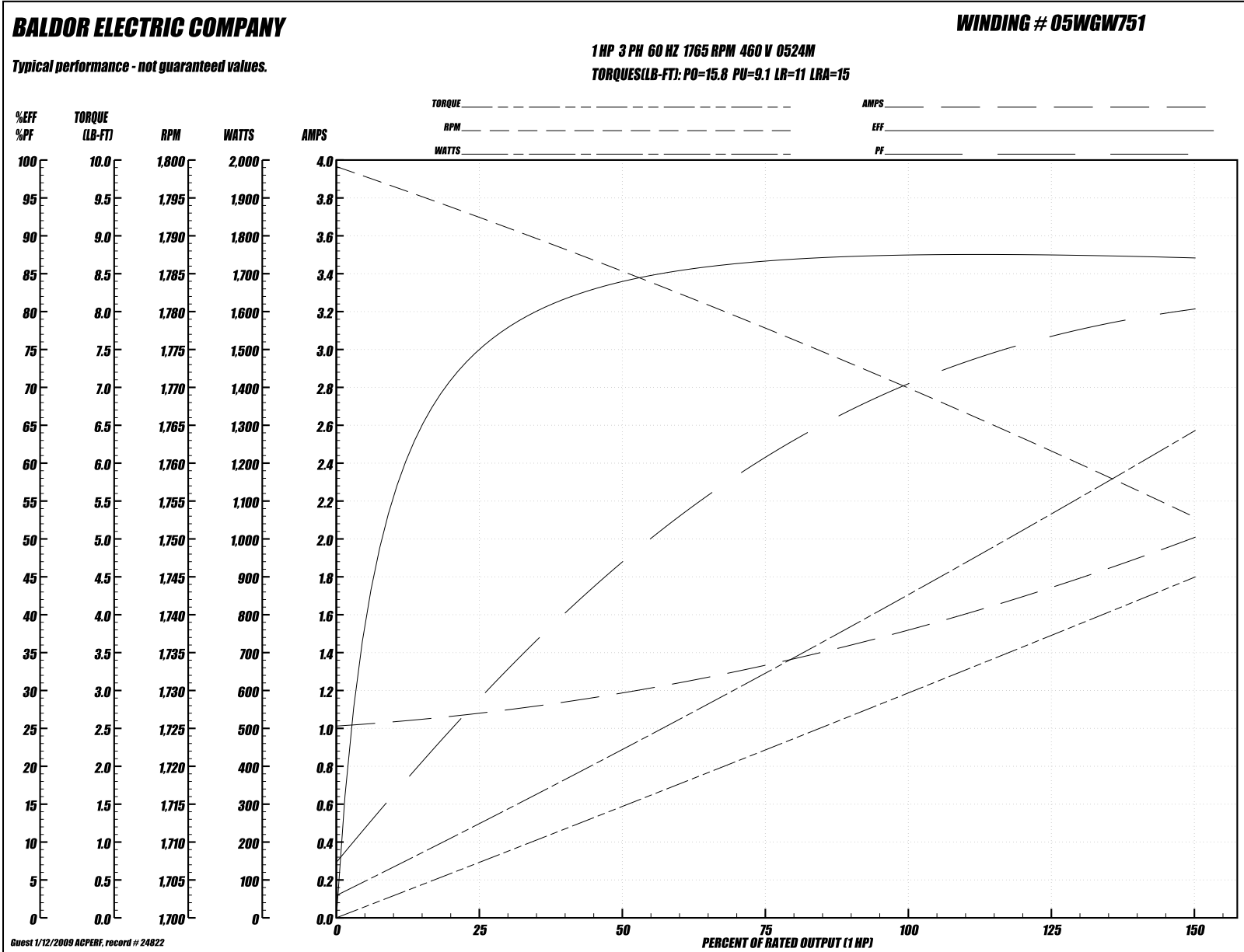
Performance Data at 460V, 60Hz, 1.0HP (Typical performance - Not guaranteed values)
General Characteristics

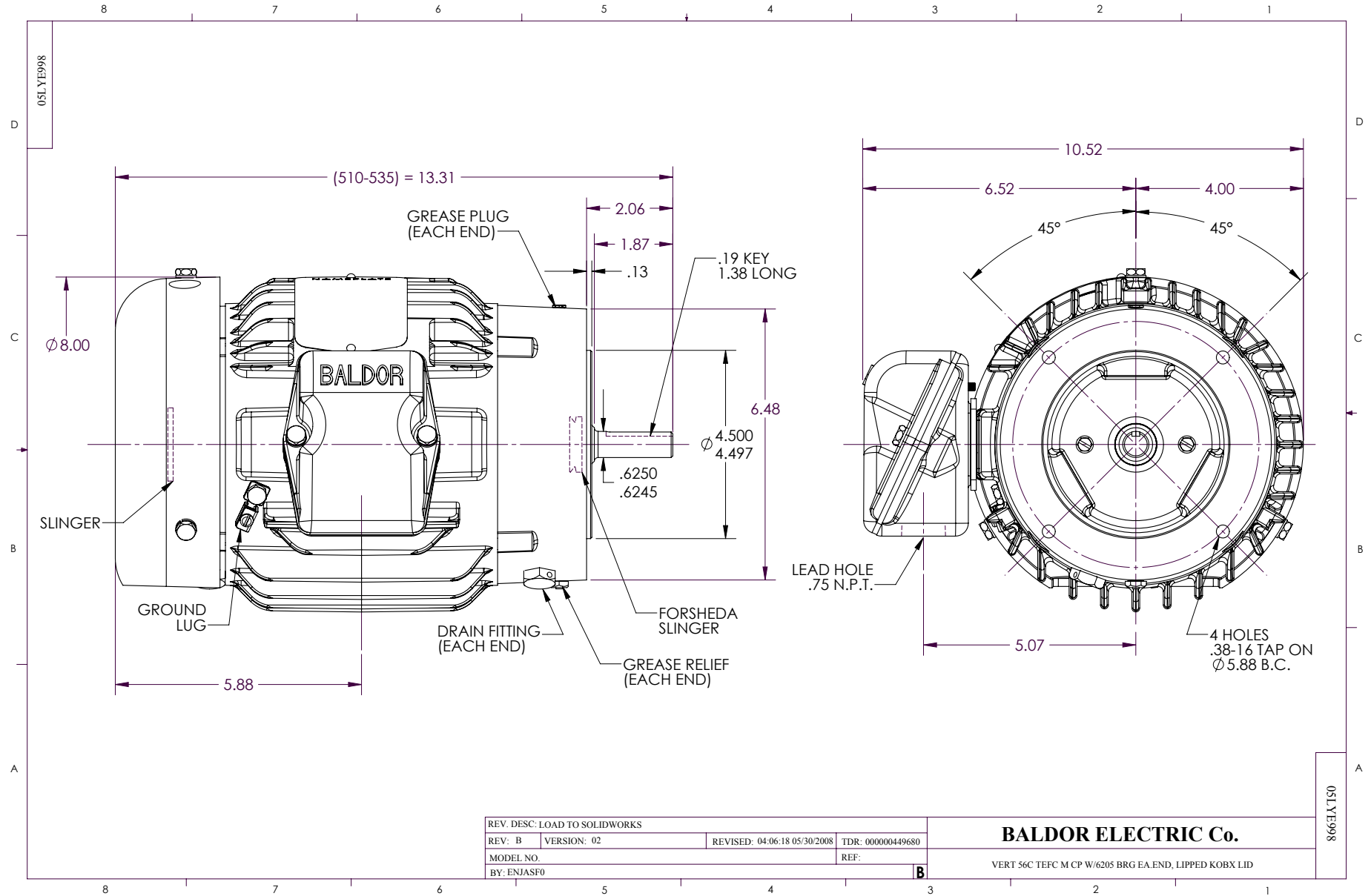
Full Load Torque:	2.99 LB-FT	Start Configuration:	DOL
No-Load Current:	1.02 Amps	Break-Down Torque:	15.8 LB-FT
Line-line Res. @ 25°C.:	12.0 Ohms A Ph / 0.0 Ohms B Ph	Pull-Up Torque:	9.1 LB-FT
Temp. Rise @ Rated Load:	21°C	Locked-Rotor Torque:	11.0 LB-FT
Temp. Rise @ S.F. Load:	26°C	Starting Current:	15.0 Amps

Load Characteristics

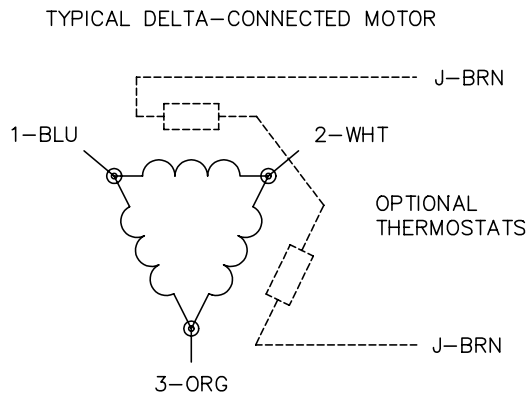
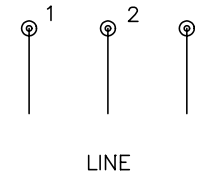
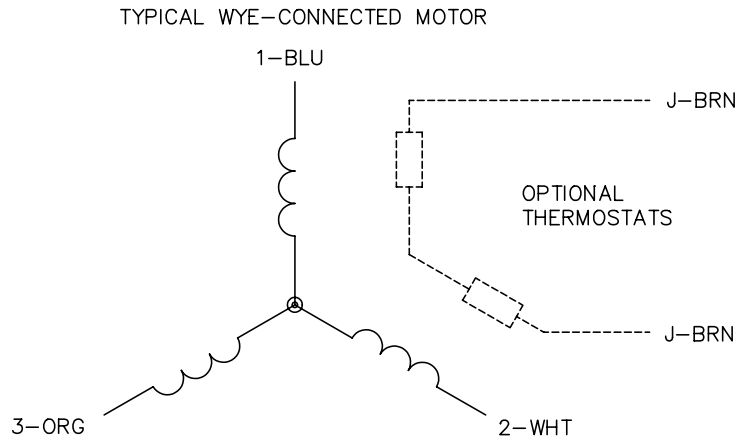
% of Rated Load:	25	50	75	100	125	150	S.F.
Power Factor:	28.0	48.0	60.0	70.0	77.0	81.0	74.0
Efficiency:	74.8	84.4	87.0	87.9	87.7	87.3	87.8
Speed:	1793.0	1785.0	1778.0	1770.0	1761.0	1753.0	1765.0
Line Amperes:	1.07	1.18	1.33	1.53	1.76	2.0	1.67

Performance Graph at 460V, 60Hz, 1.0HP (Typical performance - Not guaranteed values)





CD0006



NOTES:

1. THREE LEAD MOTOR MAY BE EITHER WYE CONNECTED OR DELTA CONNECTED.
2. INTERCHANGE ANY TWO LINE LEADS TO REVERSE ROTATION.
3. OPTIONAL THERMOSTATS ARE PROVIDED WHEN SPECIFIED.
4. ACTUAL NUMBER OF INTERNAL PARALLEL CIRCUITS MAY VARY.
5. LEAD COLORS ARE OPTIONAL. LEADS MUST BE NUMBERED AS SHOWN.

REV. DESC: REVISE TO SHOW OPTIONAL COLORS			
REV. LTR: D	BY: JLP	REVISED: 01/21/99 4:02	TDR: 0171435
9000D		FILE: AAA00005141	MDL: -
		MTL: -	

BALDOR ELECTRIC Co.

3PH, SV, 3 LEADS, WYE OR DELTA CONNECTED

CD0006