



# **BALDOR® • *RELIANCE***

## **Product Information Packet**

### **VL1306A**

**.75HP,3450RPM,1PH,60HZ,56C,3424L,OPEN,F1**

Product Detail									
Revision:	L	Status:	PRD/A	Change #:		Proprietary:	No		
Type:	AC	Prod Type:	3424L	Elec. Spec:	34WG2414	CD Diagram:	CD0052		
Enclosure	OPEN	Mfg Plant:		Mech Spec:	34F493	Layout:	34LYF493		
Frame:	56C	Mounting:	F1	Poles:	02	Created Date:			
Base:	N	Rotation:	ROS	Insulation:	B	Eff. Date:	06-03-2008		
Leads:	6#18,1#14	Literature:		Elec. Diagram:		Replaced By:			
Nameplate NP1257L									
CAT.NO.	VL1306A								
SPEC.	34F493-2414								
HP	.75								
VOLTS	115/230								
AMP	11/5.5								
RPM	3450								
FRAME	56C	HZ			60	PH	1		
SER.F.	1.50	CODE			J	DES	N	CL	B
NEMA-NOM-EFF	69	PF			68				
RATING	40C AMB-CONT								
CC				USABLE AT 208V					
DE	6203	ODE			6203				
ENCL	OPEN	SN							
	SFA 13/6.5								

<b>Parts List</b>			
<b>Product ID</b>	<b>Description</b>	<b>Quantity</b>	<b>List Price</b>
SA010394	SA 34F493-2414	1.000	185.00
RA006773	RA 34F493-2414	1.000	155.00
TPMRJ26AX	THERMAL 1PH 0.75 AUT 120C	1.000	31.00
EC1270A02SP	ELEC CAP, 270-324 MFD, 125V, 1.48D X 3.	1.000	15.00
WD4100A01	DP-875 HEYCO PLUG OR 62MP0875 MICRO PLAS	1.000	2.00
51XW0832A07	8-32 X .44, TAPTITE II, HEX WSHR SLTD SE	3.000	2.00
11XT0832G06	8-32 X 3/8 TY 23 TAP GRN. X	1.000	3.00
NS2500A01	INSULATOR, AUTO THER PROT	1.000	2.00
34CB4800SP	CAPACITOR COVER, STAMPED X X	1.000	20.00
51XB1016A05	10-16X5/16HX WA SL SR TYB (F/S)	2.000	2.00
WD1000A03	41531 AMP FLG.TERM(4M/RL)1 MILLION PER Y	1.000	2.00
HW5100A03SP	WAVY WASHER (W1543-017)	1.000	2.00
34EP3401A01SP	PU ENDPLATE, MACH	1.000	63.00
34AD2000	BAFFLE PLATE, STAMPED	1.000	2.00
51XT0632A06	6-32X3/8 TY23 HXWS SLDSR	4.000	2.00
51XN1032A20	10-32 X 1 1/4 HX WS SL SR	2.000	2.00
34FH4500A02P	DRIPCOVER, STAMP/PAINT	1.000	34.00
51XW0832A07	8-32 X .44, TAPTITE II, HEX WSHR SLTD SE	2.000	2.00
34CB4501SP	TERMINAL BOX LID, STAMPED X (PLATED)	1.000	20.00
51XW0832A07	8-32 X .44, TAPTITE II, HEX WSHR SLTD SE	2.000	2.00
HW2501D13SP	KEY, 3/16 SQ X 1.375	1.000	2.00
HA7000A04	KEY RETAINER 0.625 DIA SHAFTS	1.000	2.00
34EP3202A03	FR ENDPLATE, MACH	1.000	49.00
HA6001A03	THERMAL RETAINER (PLATED)	1.000	2.00

<b>Parts List (continued)</b>			
<b>Product ID</b>	<b>Description</b>	<b>Quantity</b>	<b>List Price</b>
NS2500A01	INSULATOR, AUTO THER PROT	1.000	2.00
12XF0632A06	6-32X3/8 TY F HEX HD SLT	2.000	3.00
MG1000G27	PAINT- S9282E CHARCOAL GREY	0.014	4,000.00
10XF0440S02	04-40 X 1/8 TYPE F HEX HD STAINLESS STIC	2.000	2.00
SP5086A01	MODEL 34 TERMINAL PANEL SWITCH WITH LEAD	1.000	29.00
HA3100A38	THRUBOLT 10-32 X 9.375	4.000	2.00
LB5040	INSTRUCTION TAG, AC & DC	1.000	2.00
LB1118	LABEL,WARNING (ROLL LABEL)	1.000	2.00
LB1125C01	STD (STOCK) CARTON LABEL BALDOR WITH FLA	1.000	2.00
LC0052	CONNECTION LABEL X	1.000	2.00
NP1257L	NP STD LASER ENGRAVED THERMAL PROTECTED,	1.000	25.00
34PA1005	PACKING GROUP, BALDOR	1.000	10.00
PK3083T	STYREFOAM PACKING CRADLE W/TAPE	1.000	2.00

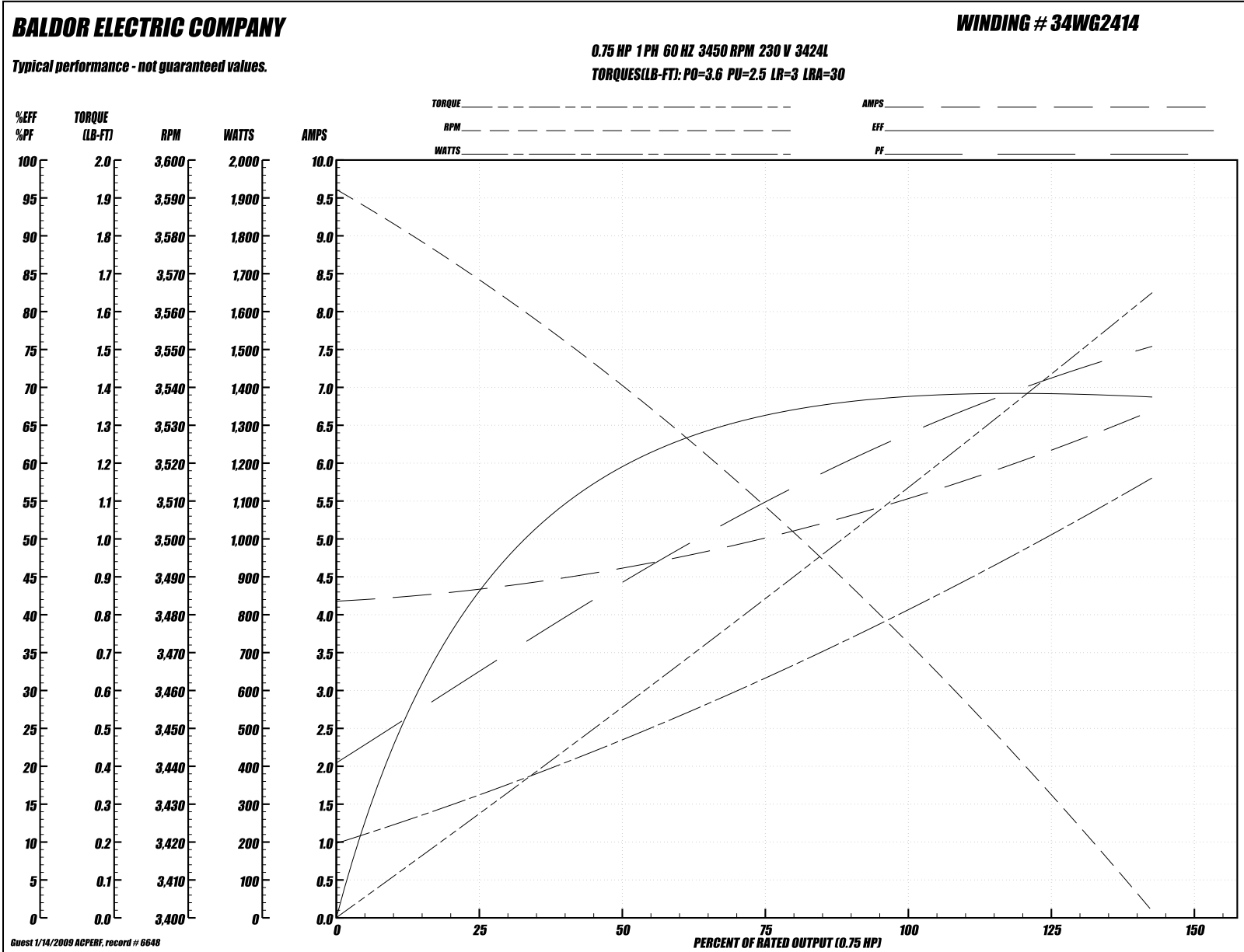
**Performance Data at 230V, 60Hz, 0.75HP (Typical performance - Not guaranteed values)**
**General Characteristics**

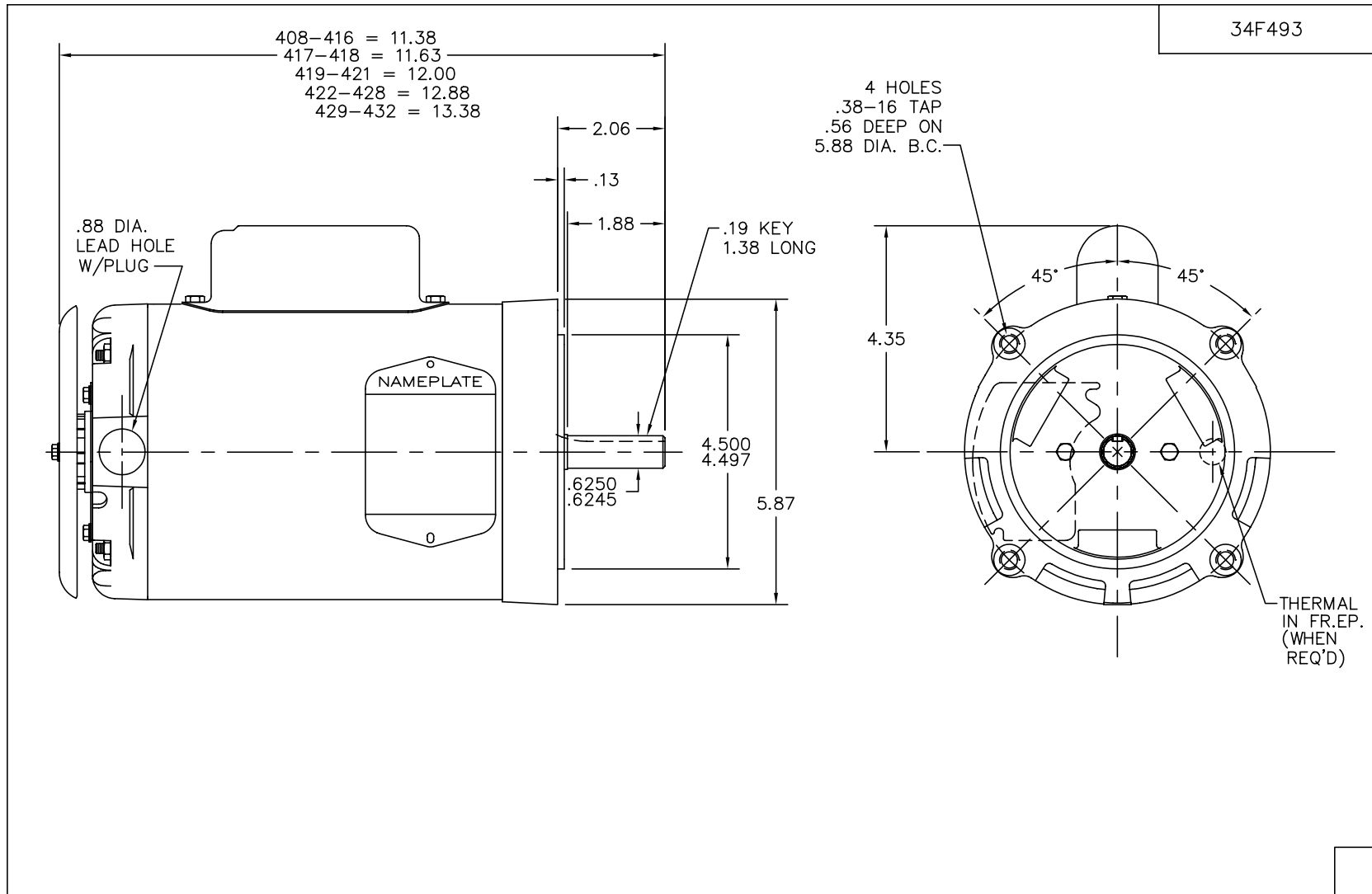
<b>Full Load Torque:</b>	1.1 LB-FT	<b>Start Configuration:</b>	DOL
<b>No-Load Current:</b>	4.2 Amps	<b>Break-Down Torque:</b>	3.6 LB-FT
<b>Line-line Res. @ 25°C.:</b>	2.37 Ohms A Ph / 1.66 Ohms B Ph	<b>Pull-Up Torque:</b>	2.5 LB-FT
<b>Temp. Rise @ Rated Load:</b>	42°C	<b>Locked-Rotor Torque:</b>	3.0 LB-FT
<b>Temp. Rise @ S.F. Load:</b>	71°C	<b>Starting Current:</b>	30.0 Amps

**Load Characteristics**

<b>% of Rated Load:</b>	<b>25</b>	<b>50</b>	<b>75</b>	<b>100</b>	<b>125</b>	<b>150</b>	<b>S.F.</b>
<b>Power Factor:</b>	35.0	50.0	60.0	68.0	74.0	78.0	80.0
<b>Efficiency:</b>	42.5	59.0	66.0	69.0	69.5	68.5	70.0
<b>Speed:</b>	3565.0	3545.0	3520.0	3465.0	3440.0	3405.0	3420.0
<b>Line Amperes:</b>	4.3	4.6	5.0	5.5	6.0	6.7	6.5

Performance Graph at 230V, 60Hz, 0.75HP (Typical performance - Not guaranteed values)



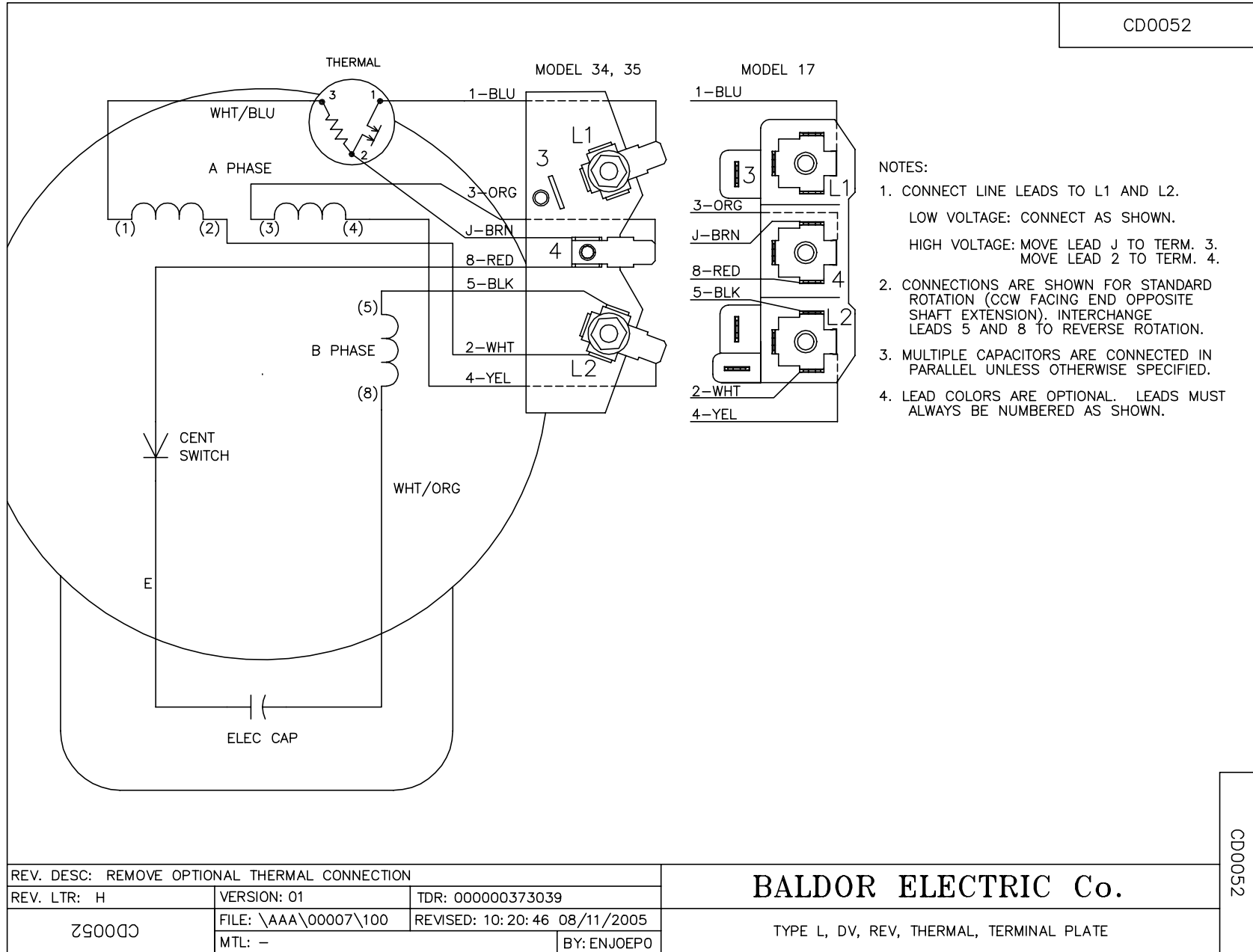


34F493

CUST. NAME		CUST. P.O.		CERTIFIED BY		MODEL		INSUL		AMB							
H.P.		MTG		TYPE		R.P.M.		VOLTS		ENCL		PHASE		FREQ		FRAME	
REMARKS:												<b>BALDOR ELECTRIC Co.</b>					
REV: -		NEW		RER: 34F009		BY: DM		REVISED: 12/29/97		VERT 34L NEMA 56C OPEN W/DRIP COVER, TERM PLATE & ATO IN FREP							
34F493		FILE: AAA00049996		TDR: 0139579													

34F493

CD0052



CD0052

REV. DESC: REMOVE OPTIONAL THERMAL CONNECTION		
REV. LTR: H	VERSION: 01	TDR: 000000373039
Z90052	FILE: \AAA\00007\100	REVISED: 10:20:46 08/11/2005
	MTL: -	BY: ENJOEPO

**BALDOR ELECTRIC Co.**

TYPE L, DV, REV, THERMAL, TERMINAL PLATE