



BALDOR® • *RELIANCE*

Product Information Packet

VL1307

.75HP,1725RPM,1PH,60HZ,56C,3428L,OPEN,F1

Product Detail							
Revision:	P	Status:	PRD/A	Change #:		Proprietary:	No
Type:	AC	Prod Type:	3428L	Elec. Spec:	34WGW198	CD Diagram:	CD0001
Enclosure	ODTF	Mfg Plant:		Mech Spec:	34F181	Layout:	34LYF181
Frame:	56C	Mounting:	F1	Poles:	04	Created Date:	
Base:	N	Rotation:	R	Insulation:	B	Eff. Date:	06-16-2008
Leads:	6#18	Literature:		Elec. Diagram:		Replaced By:	

Nameplate NP1256L									
CAT.NO.	VL1307								
SPEC.	34F181W198								
HP	.75								
VOLTS	115/230								
AMP	10.2/5.1								
RPM	1725								
FRAME	56C	HZ			60	PH	1		
SER.F.	1.25	CODE			K	DES	N	CLASS	B
NEMA-NOM-EFF	68	PF			68				
RATING	40C AMB-CONT								
CC				USABLE AT 208V		6			
DE	6203	ODE			6203				
ENCL	ODTF	SN							
	SFA 11.4/5.7								

Parts List			
Product ID	Description	Quantity	List Price
SA005704	SA 34F181W198	1.000	217.00
RA002450	RA 34F181W198	1.000	181.00
EC1460A05SP	ELEC CAP, 460-552 MFD, 125V, 2.06D X 3.	1.000	24.00
NS2512A01	INSULATOR, CONDUIT BOX X X	1.000	2.00
34CB3002A	CB CAST W/.88 DIA HOLE	1.000	13.00
51XB1016A07	10-16 X 7/16 HXWSSLD SERTYB	2.000	2.00
11XW1032G06	10-32 X .38, TAPTITE II, HEX WSHR SLTD U	1.000	3.00
34EP3212A03	FR EP 34L FOR DRIP CVR	1.000	23.00
51XW0832A07	8-32 X .44, TAPTITE II, HEX WSHR SLTD SE	2.000	2.00
SP1006A01	TERM. BOARD, MODE 35 SW X H-23655	1.000	7.00
NS2501A01	INSULATOR, CAPACITOR X	1.000	2.00
51XB1016A05	10-16X5/16HX WA SL SR TYB (F/S)	2.000	2.00
WD1000A03	41531 AMP FLG.TERM(4M/RL)1 MILLION PER Y	1.000	2.00
HW5100A03SP	WAVY WASHER (W1543-017)	1.000	2.00
34EP3401A01SP	PU ENDPLATE, MACH	1.000	63.00
34AD2000	BAFFLE PLATE, STAMPED	1.000	2.00
51XT0632A06	6-32X3/8 TY23 HXWS SLDSR	4.000	2.00
51XN1032A20	10-32 X 1 1/4 HX WS SL SR	2.000	2.00
34FN3002A01SP	EXTERNAL FAN, PLASTIC, .637/.639 HUB W/	1.000	14.00
34FH4000A11	DRIP COVER, STAMPED	1.000	22.00
51XW1032A06	10-32 X .38, TAPTITE II, HEX WSHR SLTD S	3.000	3.00
34CB4517	CB LID 4 MTG HOLES .22 DIA STAMPED, FOR	1.000	5.00
51XW0832A07	8-32 X .44, TAPTITE II, HEX WSHR SLTD SE	4.000	2.00
HW2501D13SP	KEY, 3/16 SQ X 1.375	1.000	2.00

Parts List (continued)			
Product ID	Description	Quantity	List Price
HA7000A04	KEY RETAINER 0.625 DIA SHAFTS	1.000	2.00
MG1000G27	PAINT- S9282E CHARCOAL GREY	0.014	4,000.00
10XF0440S02	04-40 X 1/8 TYPE F HEX HD STAINLESS STIC	2.000	2.00
SP5056A24	MODEL 34 TYPE L STATIONARY SWITCH WITH L	1.000	18.00
33CB4800A02	CAPACITOR COVER, STAMPED	1.000	3.00
HA3100A38	THRUBOLT 10-32 X 9.375	4.000	2.00
LB5040	INSTRUCTION TAG, AC & DC	1.000	2.00
LB1125C01	STD (STOCK) CARTON LABEL BALDOR WITH FLA	1.000	2.00
LC0001A01	CONN LABEL / WARNING LABEL (LC0001 / LB1	1.000	2.00
NP1256L	NP STD LASER ENGRAVED, UL CSA CC, W/O TH	1.000	3.00
34PA1005	PACKING GROUP, BALDOR	1.000	10.00

Performance Data at 230V, 60Hz, 0.75HP (Typical performance - Not guaranteed values)
General Characteristics

Full Load Torque:	2.25 LB-FT	Start Configuration:	DOL
No-Load Current:	3.9 Amps	Break-Down Torque:	5.5 LB-FT
Line-line Res. @ 25°C.:	3.1 Ohms A Ph / 1.64 Ohms B Ph	Pull-Up Torque:	4.5 LB-FT
Temp. Rise @ Rated Load:	74°C	Locked-Rotor Torque:	9.5 LB-FT
Temp. Rise @ S.F. Load:	90°C	Starting Current:	31.0 Amps

Load Characteristics

% of Rated Load:	25	50	75	100	125	150	S.F.
Power Factor:	35.0	49.0	63.0	70.0	76.0	80.0	76.0
Efficiency:	45.4	59.1	62.7	66.7	66.8	64.4	66.8
Speed:	1783.0	1770.0	1754.0	1737.0	1717.0	1692.0	1717.0
Line Amperes:	4.05	4.25	4.8	5.3	6.1	7.0	6.1

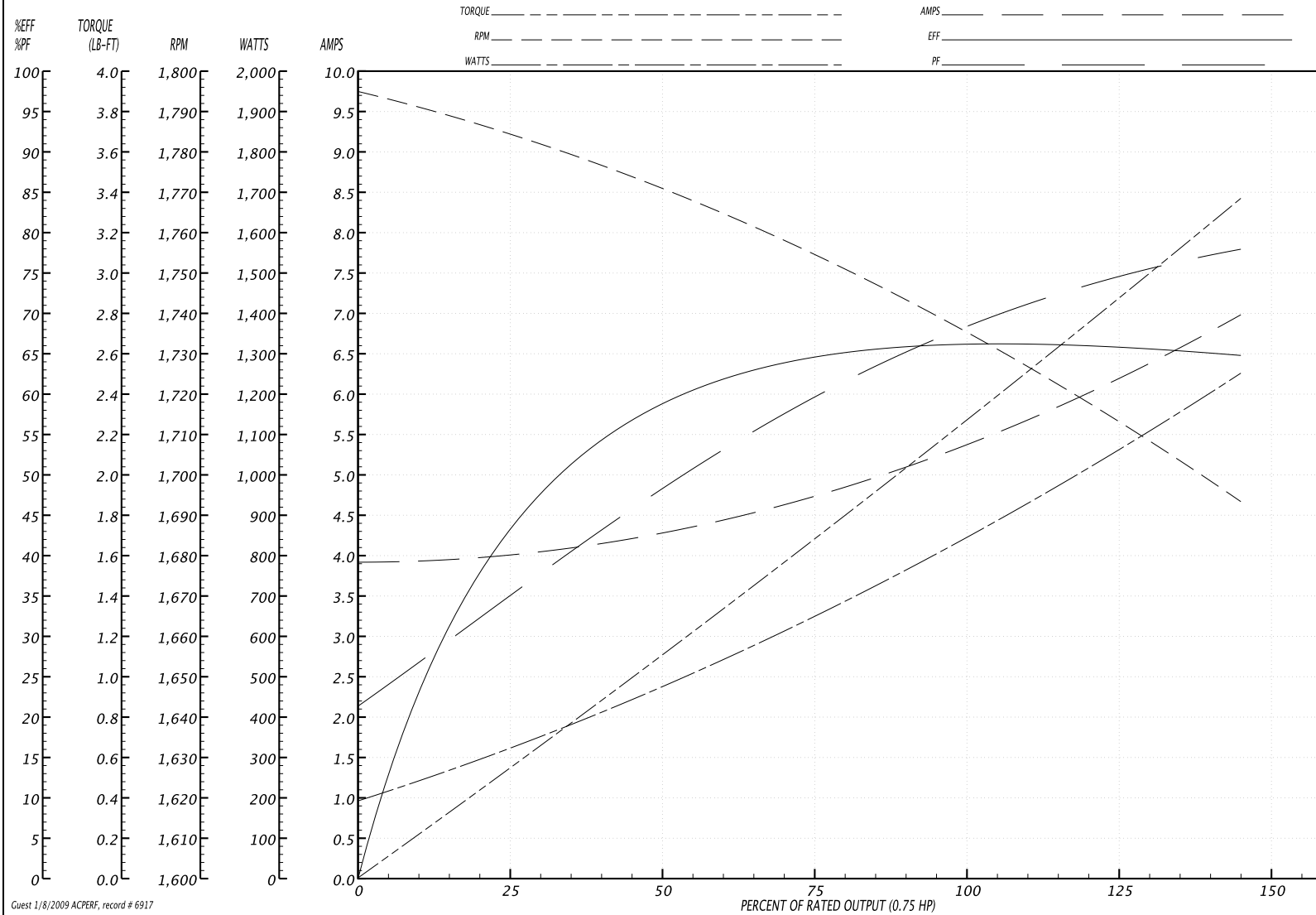
Performance Graph at 230V, 60Hz, 0.75HP (Typical performance - Not guaranteed values)

BALDOR ELECTRIC COMPANY

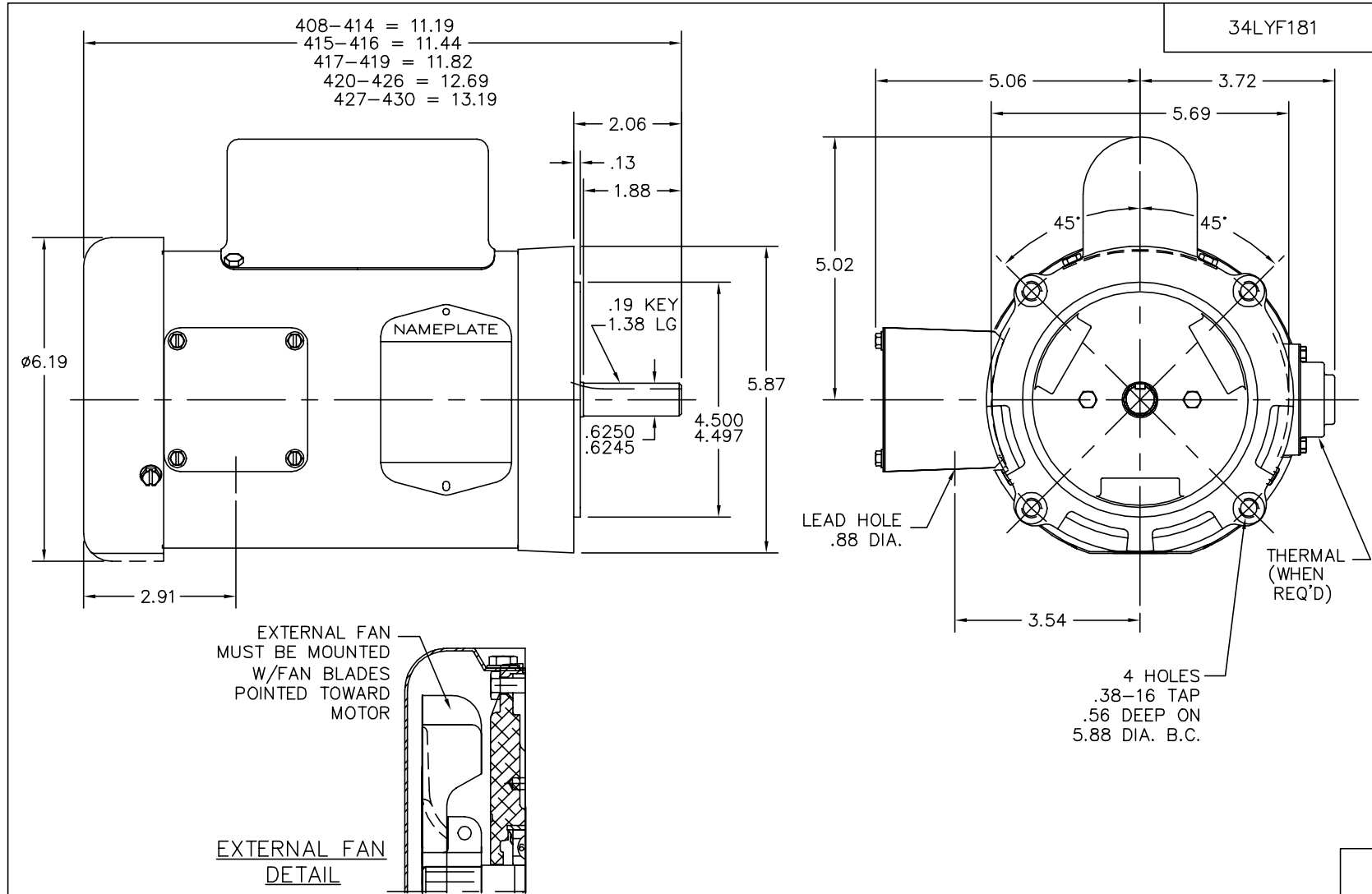
WINDING # 34WGW198

Typical performance - not guaranteed values.

0.75 HP 1 PH 60 HZ 1725 RPM 230 V 3428L
 TORQUES(LB-FT): PO=5.5 PU=4.5 LR=9.5 LRA=31



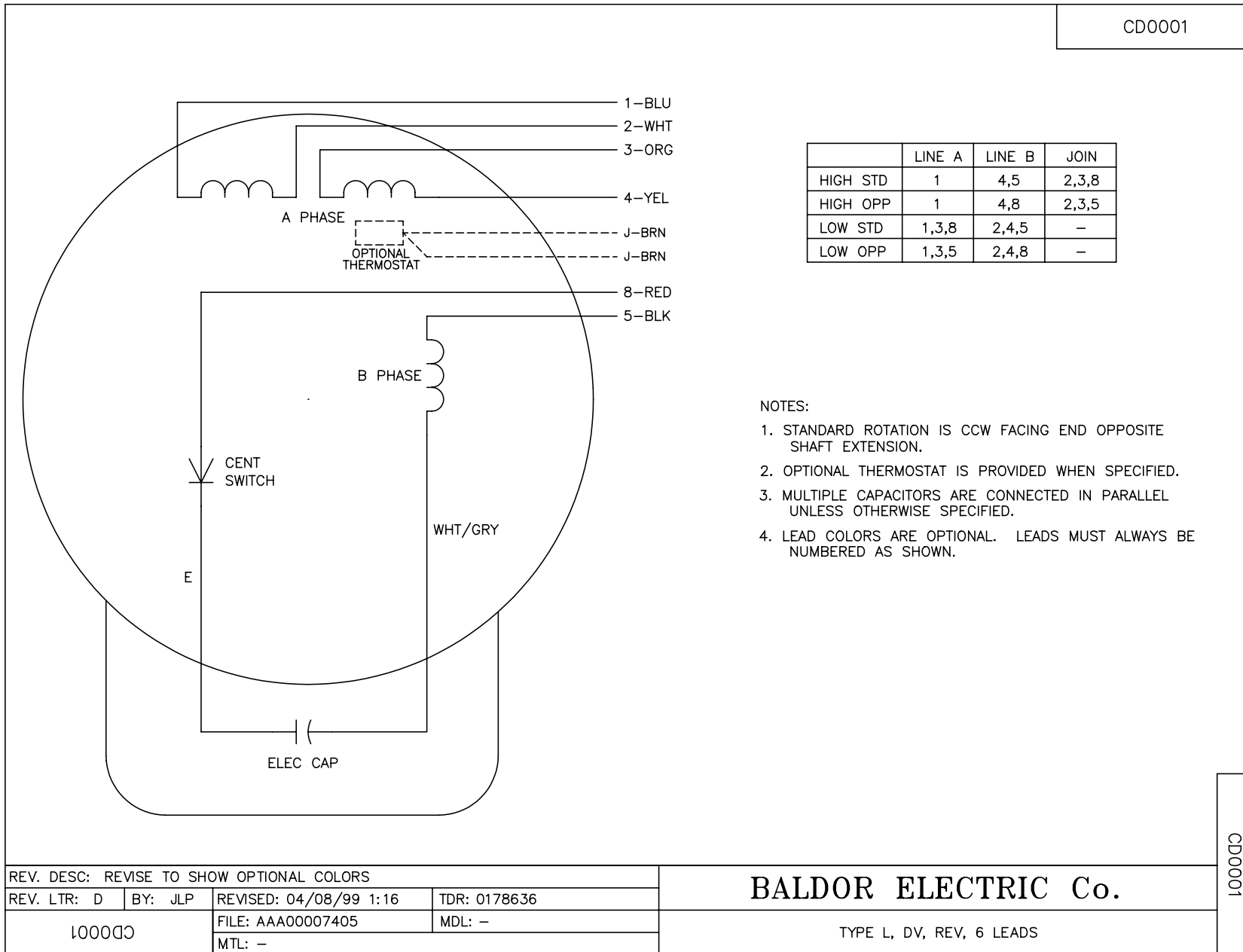
Guest 1/8/2009 ACPERF, record # 6917



CUSTOMER IS RESPONSIBLE FOR DETERMINING THAT MOTOR PERFORMANCE IS SUITABLE IN THE APPLICATION.

REV. DESC: UPDATED GRAPHIC, ADDED DIM 2.91			BALDOR ELECTRIC Co.	34LYF181
REV. LTR: F	VERSION: 03	TDR: 000000384626		
34LYF181	FILE: \AAA\00026\617	REVISED: 11:31:30 01/04/2006	VERT 56C ODTF 34L W/3 PHASE ER'S W/EXT FAN & LG CAP	
	MTL: -	BY: ENROSTO		

CD0001



	LINE A	LINE B	JOIN
HIGH STD	1	4,5	2,3,8
HIGH OPP	1	4,8	2,3,5
LOW STD	1,3,8	2,4,5	-
LOW OPP	1,3,5	2,4,8	-

NOTES:

1. STANDARD ROTATION IS CCW FACING END OPPOSITE SHAFT EXTENSION.
2. OPTIONAL THERMOSTAT IS PROVIDED WHEN SPECIFIED.
3. MULTIPLE CAPACITORS ARE CONNECTED IN PARALLEL UNLESS OTHERWISE SPECIFIED.
4. LEAD COLORS ARE OPTIONAL. LEADS MUST ALWAYS BE NUMBERED AS SHOWN.

REV. DESC: REVISE TO SHOW OPTIONAL COLORS			
REV. LTR: D	BY: JLP	REVISED: 04/08/99 1:16	TDR: 0178636
100000		FILE: AAA00007405	MDL: -
		MTL: -	

BALDOR ELECTRIC Co.

TYPE L, DV, REV, 6 LEADS

CD0001