



BALDOR® • *RELIANCE*

Product Information Packet

VL3508

.75HP, 1140RPM, 1PH, 60HZ, 56C, 3528LC, TEFC

Product Detail							
Revision:	AG	Status:	PRD/A	Change #:		Proprietary:	No
Type:	AC	Prod Type:	3528LC	Elec. Spec:	35WGW007	CD Diagram:	CD0004A01
Enclosure	TEFC	Mfg Plant:		Mech Spec:	35E022	Layout:	35LYE022
Frame:	56C	Mounting:	F1	Poles:	06	Created Date:	
Base:	N	Rotation:	R	Insulation:	B	Eff. Date:	12-05-2008
Leads:	6#18	Literature:		Elec. Diagram:		Replaced By:	

Nameplate NP1256L									
CAT.NO.	VL3508								
SPEC.	35E22W07								
HP	3/4								
VOLTS	115/230								
AMP	10/5								
RPM	1140								
FRAME	56C	HZ	60	PH	1				
SER.F.	1.00	CODE	L	DES	N	CLASS	B		
NEMA-NOM-EFF	68	PF	68						
RATING	40C AMB-CONT								
CC				USABLE AT 208V	5.3				
DE	6205	ODE	6203						
ENCL	TEFC	SN							

Parts List			
Product ID	Description	Quantity	List Price
SA023815	SA 35E22W07	1.000	428.00
RA019865	RA 35E22W07	1.000	174.00
OC3012F12SP	CYL OIL CAP 12MFD/370V	1.000	25.00
EC1400A03SP	ELEC CAP, 400-480 MFD, 125V, 1.81D X 3.	1.000	23.00
NS2512A01	INSULATOR, CONDUIT BOX X X	1.000	2.00
35CB3007	35 CB CASTING W/.88 DIA. LEAD HOLE	1.000	27.00
36GS1000SP	GASKET-CONDUIT BOX, .06 THICK #SV-330 LE	1.000	5.00
51XB1016A07	10-16 X 7/16 HXWSSLD SERTYB	2.000	2.00
11XW1032G06	10-32 X .38, TAPTITE II, HEX WSHR SLTD U	1.000	3.00
35EP3100M02	FREP TEFC 203 BRG W/O GRSR (RAISED FH MT	1.000	28.00
51XW0832A07	8-32 X .44, TAPTITE II, HEX WSHR SLTD SE	2.000	2.00
35CB3801SP	CAPACITOR COVER, CAST	1.000	22.00
34GS3002	GASKET, CAPACITOR BOX	1.000	2.00
HA7010	CAPACITOR RETENTION CLAMP	1.000	2.00
NS2501A02	INSULATOR, CAPACITOR BOX	1.000	2.00
51XB1016A08	10-16X 1/2HXWSSLD SERTYB	2.000	2.00
HW5100A03SP	WAVY WASHER (W1543-017)	1.000	2.00
35EP3300A33	SPL FACE MTD EP -ENCL-205 BRG	1.000	80.00
51XN1032A20	10-32 X 1 1/4 HX WS SL SR	2.000	2.00
35FN3002A05SP	EXTERNAL FAN, PLASTIC, FOR .637 DIA JOUR	1.000	22.00
51XB1214A16	12-14X1.00 HXWSSLD SERTYB	1.000	2.00
35FH4005A32SP	IEC FH NO GRSR W/3 HOLES - W/AUTOPHERETI	1.000	23.00
51XW1032A06	10-32 X .38, TAPTITE II, HEX WSHR SLTD S	3.000	3.00
35CB4521	35 LIPPED CB LID (GALV & PHOSPH)	1.000	2.00

Parts List (continued)			
Product ID	Description	Quantity	List Price
35GS1030	35 GS FOR CB LID - LEXIDE	1.000	2.00
51XW0832A07	8-32 X .44, TAPTITE II, HEX WSHR SLTD SE	4.000	2.00
HW2501D13SP	KEY, 3/16 SQ X 1.375	1.000	2.00
HA7000A04	KEY RETAINER 0.625 DIA SHAFTS	1.000	2.00
10XF0440S02	04-40 X 1/8 TYPE F HEX HD STAINLESS STIC	2.000	2.00
MJ1000A02	GREASE, POLYREX EM EXXON	0.050	10.00
MG1000G27	PAINT- S9282E CHARCOAL GREY	0.017	4,000.00
HA3100A15	THRUBOLT 10-32 X 8.375	4.000	2.00
34GS5003	FOAM SLEEVE, ID = 2 1/16" X 3 3/8"	1.000	2.00
WD1000A15	3-520132-2 AMP FLAG (4M/RL NON-CANC/NON-	4.000	2.00
SP5056A52	MODEL 35 LC STATIONARY SWITCH LEAD ASSY	1.000	24.00
LB1125C01	STD (STOCK) CARTON LABEL BALDOR WITH FLA	1.000	2.00
LC0001A01	CONN LABEL / WARNING LABEL (LC0001 / LB1	1.000	2.00
NP1256L	NP STD LASER ENGRAVED, UL CSA CC, W/O TH	1.000	3.00
35PA1066	PACKING GROUP COMBINED PRINT	1.000	13.00
PK3082	STYROFOAB CRADLE	1.000	2.00

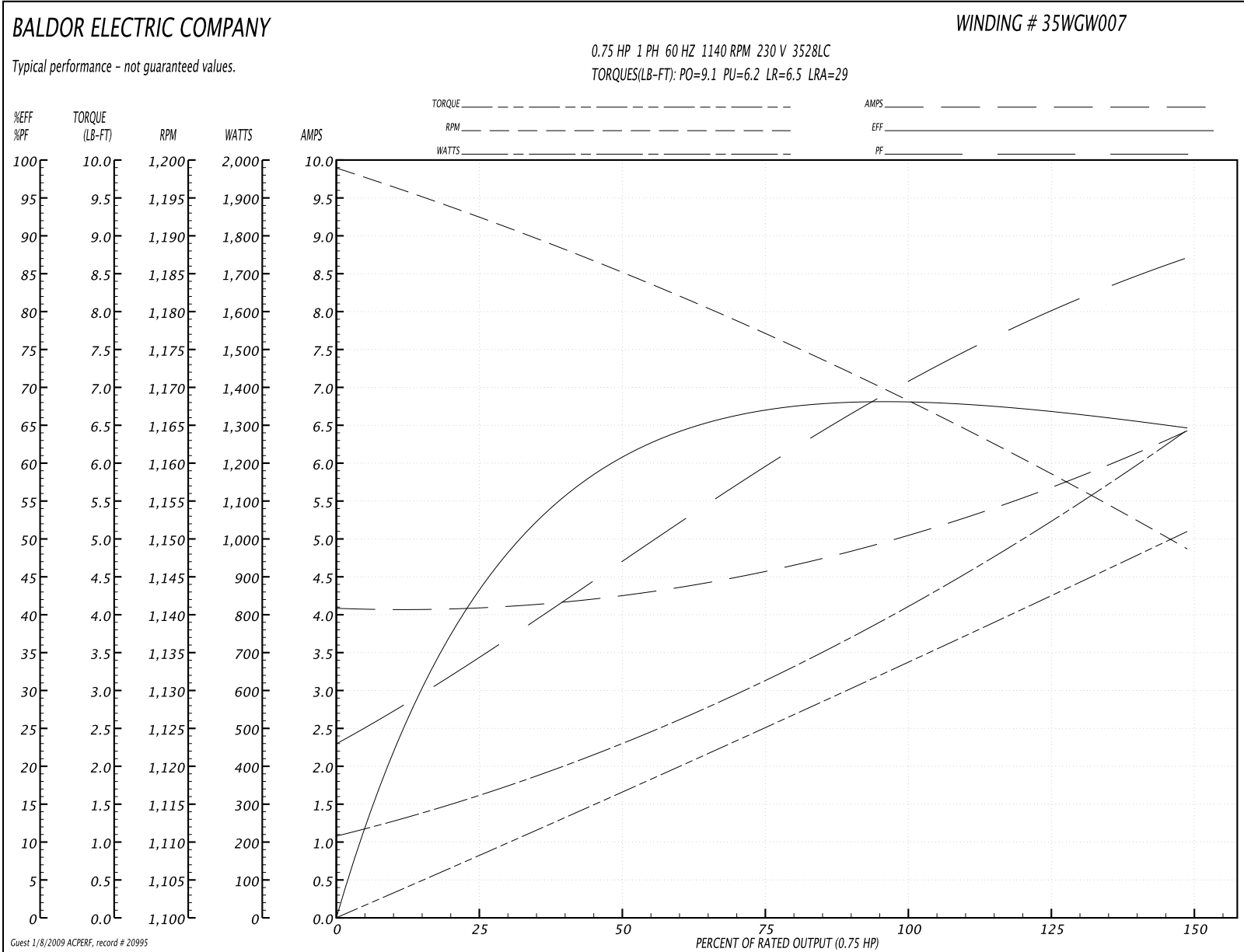
Performance Data at 230V, 60Hz, 0.75HP (Typical performance - Not guaranteed values)
General Characteristics

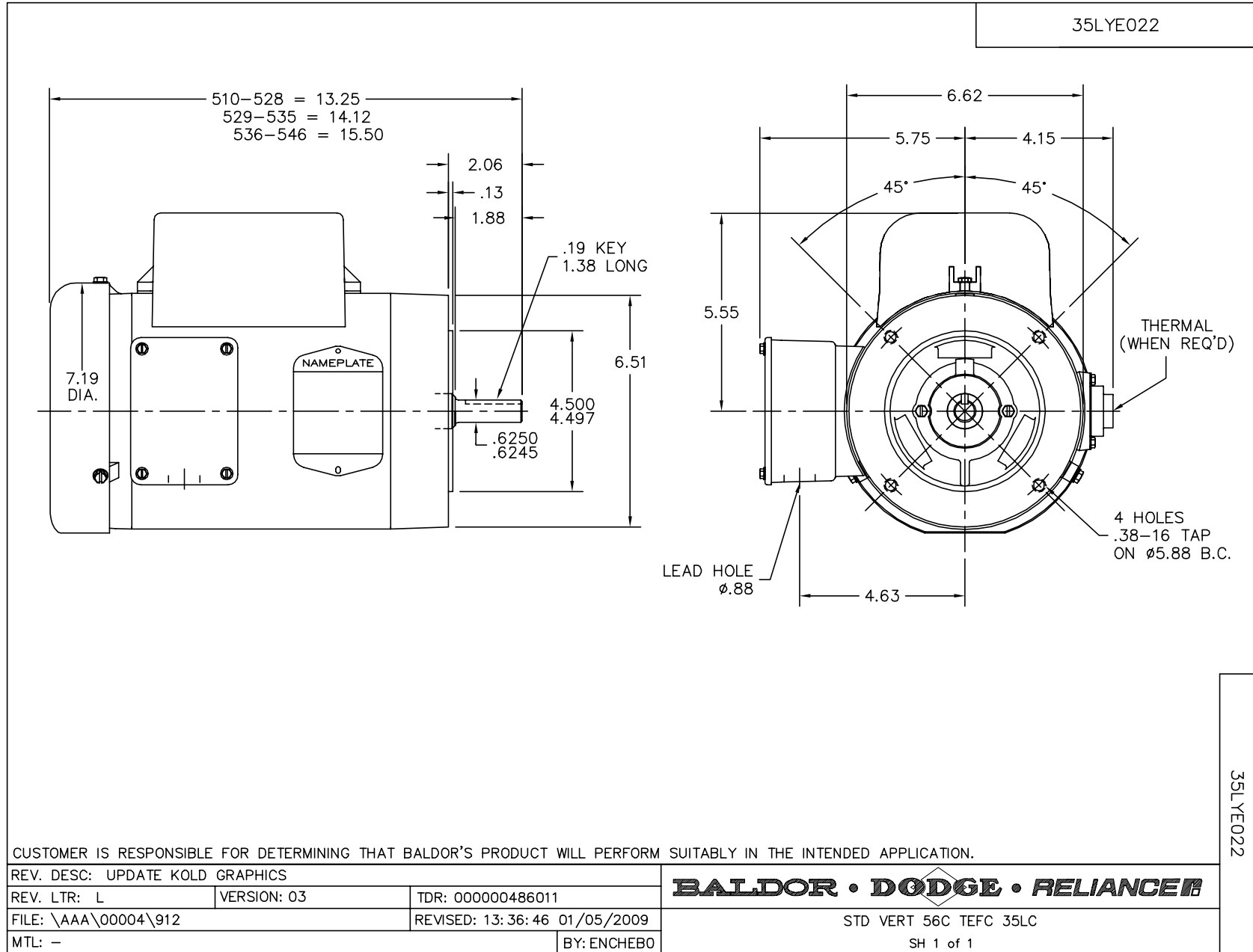
Full Load Torque:	3.4 LB-FT	Start Configuration:	DOL
No-Load Current:	4.1 Amps	Break-Down Torque:	9.1 LB-FT
Line-line Res. @ 25°C.:	3.54 Ohms A Ph / 14.8 Ohms B Ph	Pull-Up Torque:	6.2 LB-FT
Temp. Rise @ Rated Load:	70°C	Locked-Rotor Torque:	6.5 LB-FT
Temp. Rise @ S.F. Load:	0°C	Starting Current:	29.0 Amps

Load Characteristics

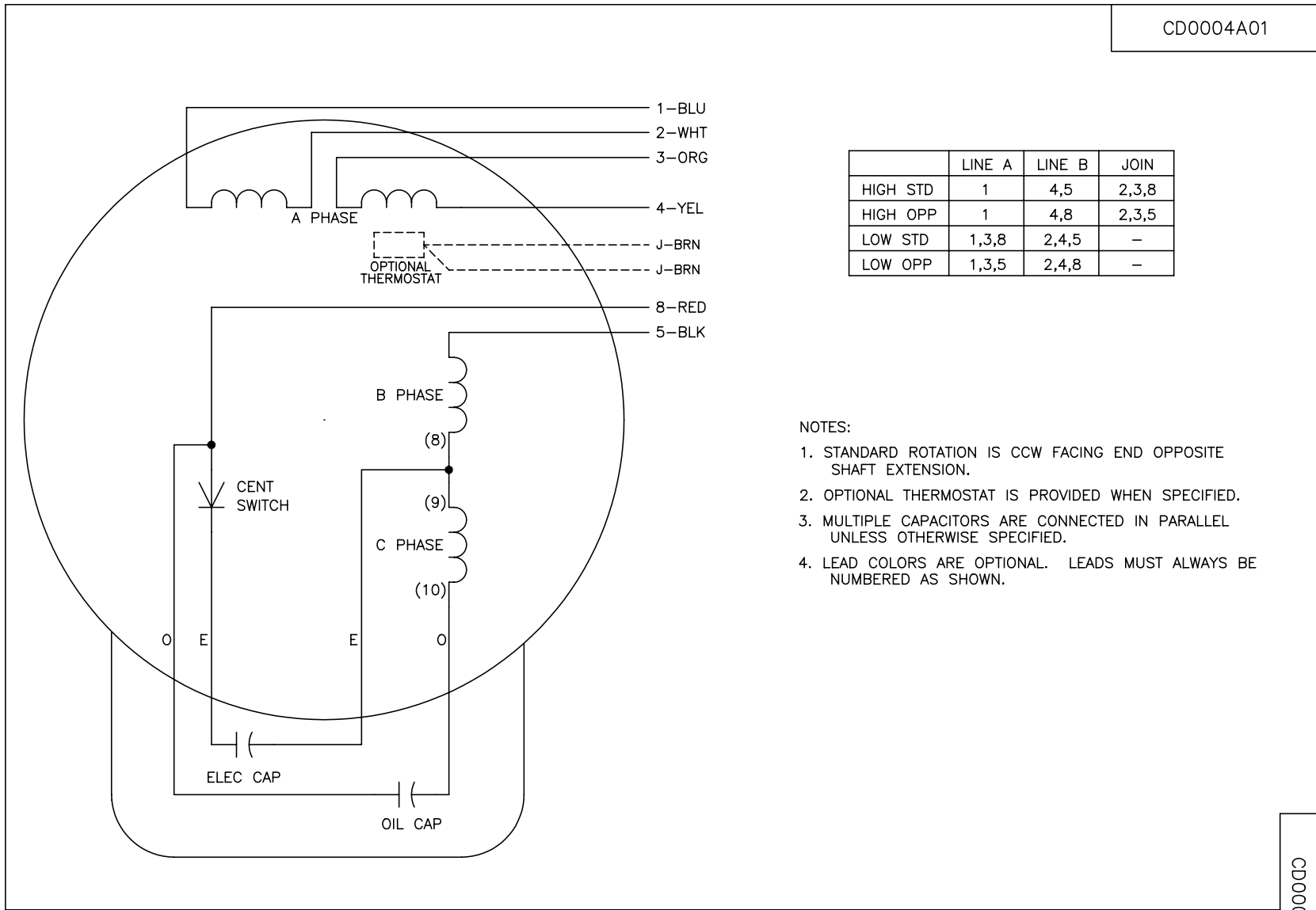
% of Rated Load:	25	50	75	100	125	150	S.F.
Power Factor:	39.0	51.0	63.0	70.0	76.0	79.0	0.0
Efficiency:	45.2	59.2	67.2	70.1	65.4	65.0	0.0
Speed:	1192.0	1185.0	1177.0	1168.0	1158.0	1149.0	0.0
Line Amperes:	4.1	4.2	4.6	5.1	5.7	6.4	0.0

Performance Graph at 230V, 60Hz, 0.75HP (Typical performance - Not guaranteed values)





CD0004A01



	LINE A	LINE B	JOIN
HIGH STD	1	4,5	2,3,8
HIGH OPP	1	4,8	2,3,5
LOW STD	1,3,8	2,4,5	-
LOW OPP	1,3,5	2,4,8	-

NOTES:

1. STANDARD ROTATION IS CCW FACING END OPPOSITE SHAFT EXTENSION.
2. OPTIONAL THERMOSTAT IS PROVIDED WHEN SPECIFIED.
3. MULTIPLE CAPACITORS ARE CONNECTED IN PARALLEL UNLESS OTHERWISE SPECIFIED.
4. LEAD COLORS ARE OPTIONAL. LEADS MUST ALWAYS BE NUMBERED AS SHOWN.

REV. DESC: REVISE TO SHOW OPTIONAL COLORS			
REV. LTR: F	BY: JLP	REVISED: 04/09/99 3:03	TDR: 0178636
CD0004A01		FILE: AAA00007406	MDL: -
		MTL: -	

BALDOR ELECTRIC Co.

TYPE LC, DV, REV, C PHASE, 6 LEADS

CD0004A01