



BALDOR® • *RELIANCE*

Product Information Packet

VL3509A

1HP,3450RPM,1PH,60HZ,56C,3524L,TEFC,F1

Product Detail									
Revision:	AF	Status:	PRD/A	Change #:		Proprietary:	No		
Type:	AC	Prod Type:	3524L	Elec. Spec:	35WG0498	CD Diagram:	CD0008		
Enclosure	TEFC	Mfg Plant:		Mech Spec:	35C013	Layout:	35LYC013		
Frame:	56C	Mounting:	F1	Poles:	02	Created Date:	06-21-2007		
Base:	N	Rotation:	R	Insulation:	B	Eff. Date:	12-08-2008		
Leads:	4#16,2#18,1#14	Literature:		Elec. Diagram:		Replaced By:			
Nameplate NP1257L									
CAT.NO.	VL3509A								
SPEC.	35C13-498								
HP	1								
VOLTS	115/230								
AMP	12/6								
RPM	3450								
FRAME	56C	HZ	60			PH	1		
SER.F.	1.25	CODE	K			DES	N	CL	B
NEMA-NOM-EFF	66	PF	81						
RATING	40C AMB-CONT								
CC				USABLE AT 208V					
DE	6205	ODE	6203						
ENCL	TEFC	SN							
	SFA 14.4/7.2								

Parts List			
Product ID	Description	Quantity	List Price
SA022568	SA 35C13-498	1.000	243.00
RA018618	RA 35C13-498	1.000	203.00
EC1645A06SP	ELEC CAP, 645-774 MFD, 125V, 2.06D X 4.	1.000	31.00
TP5059	GENERIC THERMAL KIT	1.000	5.00
NS2512A01	INSULATOR, CONDUIT BOX X X	1.000	2.00
35CB3007	35 CB CASTING W/.88 DIA. LEAD HOLE	1.000	27.00
36GS1000SP	GASKET-CONDUIT BOX, .06 THICK #SV-330 LE	1.000	5.00
51XB1016A07	10-16 X 7/16 HXWSSLD SERTYB	2.000	2.00
11XW1032G06	10-32 X .38, TAPTITE II, HEX WSHR SLTD U	1.000	3.00
35EP3100M02	FREP TEFC 203 BRG W/O GRSR (RAISED FH MT	1.000	28.00
51XW0832A07	8-32 X .44, TAPTITE II, HEX WSHR SLTD SE	2.000	2.00
NS2501A01	INSULATOR, CAPACITOR X	1.000	2.00
51XB1016A05	10-16X5/16HX WA SL SR TYB (F/S)	2.000	2.00
HW5100A03SP	WAVY WASHER (W1543-017)	1.000	2.00
35EP3300A33	SPL FACE MTD EP -ENCL-205 BRG	1.000	80.00
51XN1032A20	10-32 X 1 1/4 HX WS SL SR	2.000	2.00
35FN3002A05SP	EXTERNAL FAN, PLASTIC, FOR .637 DIA JOUR	1.000	22.00
51XB1214A16	12-14X1.00 HXWSSLD SERTYB	1.000	2.00
35FH4005A32SP	IEC FH NO GRSR W/3 HOLES - W/AUTOPHERETI	1.000	23.00
51XW1032A06	10-32 X .38, TAPTITE II, HEX WSHR SLTD S	3.000	3.00
35CB4521	35 LIPPED CB LID (GALV & PHOSPH)	1.000	2.00
35GS1030	35 GS FOR CB LID - LEXIDE	1.000	2.00
51XW0832A07	8-32 X .44, TAPTITE II, HEX WSHR SLTD SE	4.000	2.00
HW2501D13SP	KEY, 3/16 SQ X 1.375	1.000	2.00

Parts List (continued)			
Product ID	Description	Quantity	List Price
HA7000A04	KEY RETAINER 0.625 DIA SHAFTS	1.000	2.00
10XF0440S02	04-40 X 1/8 TYPE F HEX HD STAINLESS STIC	2.000	2.00
WD1000A15	3-520132-2 AMP FLAG (4M/RL NON-CANC/NON-	2.000	2.00
MJ1000A02	GREASE, POLYREX EM EXXON	0.050	10.00
MG1000G27	PAINT- S9282E CHARCOAL GREY	0.017	4,000.00
SP5055A67	MODEL 35 TYPE L STATIONARY SWITCH LEAD A	1.000	24.00
35CB4802A02SP	CAPACITOR COVER, STAMPED X W/AUTOPHORET	1.000	16.00
35GS3001A02	GASKET, CA.COVER, 5.38 LONG .06 CS301	1.000	4.00
HA3100A15	THRUBOLT 10-32 X 8.375	4.000	2.00
LB1118	LABEL,WARNING (ROLL LABEL)	1.000	2.00
LB1125C01	STD (STOCK) CARTON LABEL BALDOR WITH FLA	1.000	2.00
LC0008	1PH,DV,7-LEAD,THERMAL,CONNECTION DIAGRAM	1.000	2.00
NP1257L	NP STD LASER ENGRAVED THERMAL PROTECTED,	1.000	25.00
35PA1066	PACKING GROUP COMBINED PRINT	1.000	13.00
PK3082	STYROFOAB CRADLE	1.000	2.00

Performance Data at 230V, 60Hz, 1.0HP (Typical performance - Not guaranteed values)
General Characteristics

Full Load Torque:	1.5 LB-FT	Start Configuration:	DOL
No-Load Current:	2.95 Amps	Break-Down Torque:	4.1 LB-FT
Line-line Res. @ 25°C.:	2.46 Ohms A Ph / 1.75 Ohms B Ph	Pull-Up Torque:	3.1 LB-FT
Temp. Rise @ Rated Load:	0°C	Locked-Rotor Torque:	5.0 LB-FT
Temp. Rise @ S.F. Load:	0°C	Starting Current:	38.5 Amps

Load Characteristics

% of Rated Load:	25	50	75	100	125	150	S.F.
Power Factor:	50.0	64.0	75.0	81.0	84.0	86.0	84.0
Efficiency:	49.0	65.0	67.0	69.0	68.0	67.5	68.0
Speed:	3570.0	3550.0	3530.0	3505.0	3472.0	3445.0	3472.0
Line Amperes:	3.2	3.7	4.5	5.5	6.75	7.7	6.75

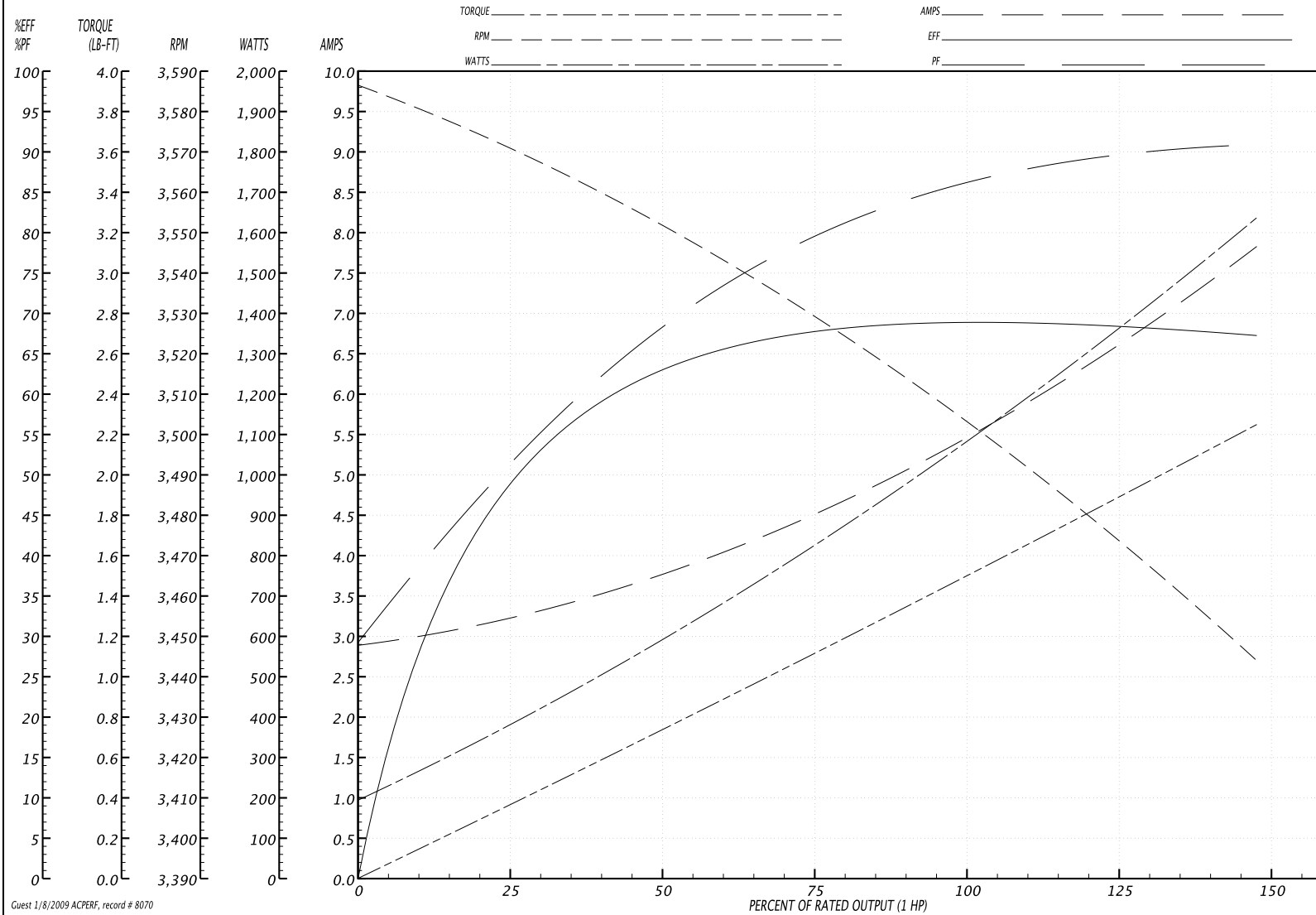
Performance Graph at 230V, 60Hz, 1.0HP (Typical performance - Not guaranteed values)

BALDOR ELECTRIC COMPANY

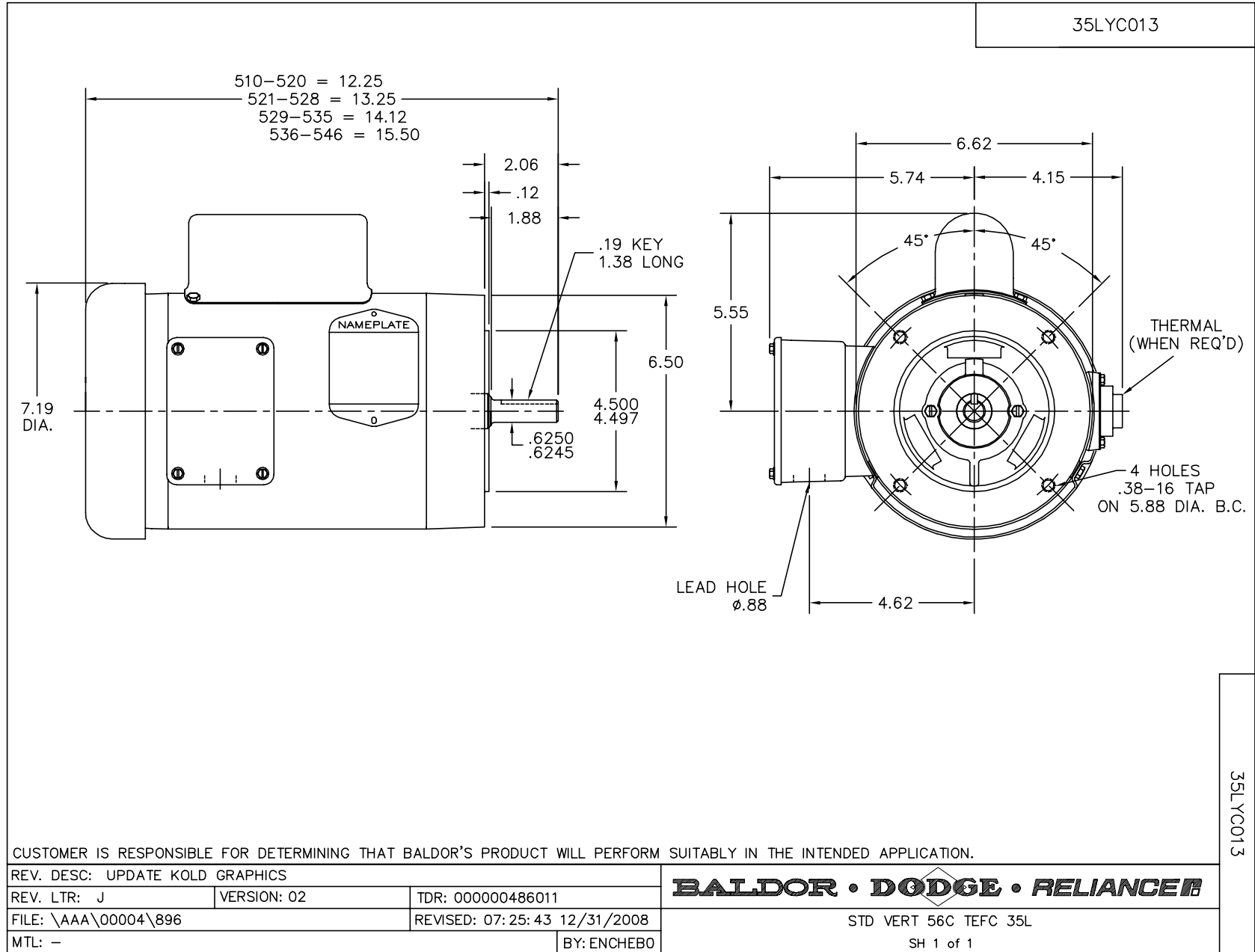
WINDING # 35WG0498

Typical performance - not guaranteed values.

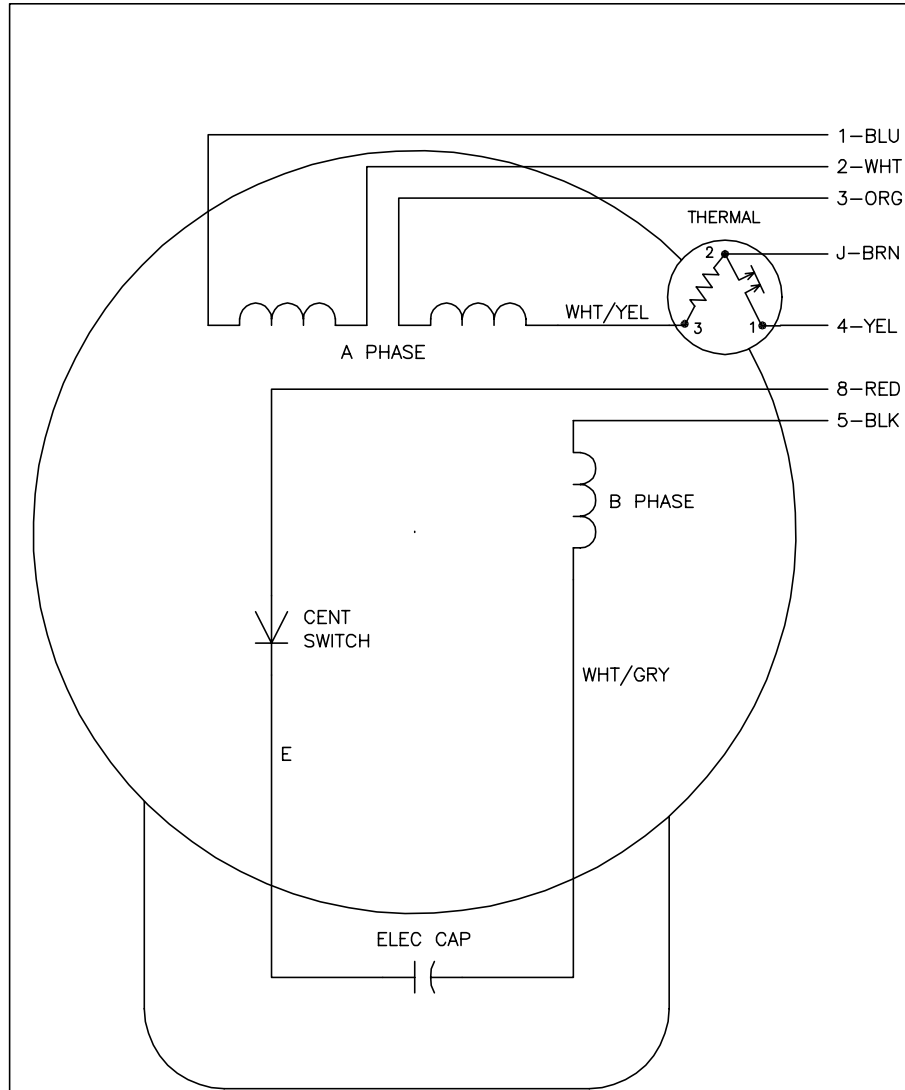
1 HP 1 PH 60 HZ 3450 RPM 230 V 3524L
 TORQUES(LB-FT): PO=4.1 PU=3.1 LR=5 LRA=38.5



Guest 1/8/2009 ACPERF, record # 8070



CD0008



	LINE A	LINE B	JOIN	JOIN
HIGH STD	1	4	2,3,8	J,5
HIGH OPP	1	4	2,3,5	J,8
LOW STD	1,3,8	4	-	2,J,5
LOW OPP	1,3,5	4	-	2,J,8

NOTES:

1. STANDARD ROTATION IS CCW FACING END OPPOSITE SHAFT EXTENSION.
2. MULTIPLE CAPACITORS ARE CONNECTED IN PARALLEL UNLESS OTHERWISE SPECIFIED.
3. LEAD COLORS ARE OPTIONAL. LEADS MUST ALWAYS BE NUMBERED AS SHOWN.

REV. DESC: REMOVE 2-TERMINAL THERMAL DETAIL, SEE CD0008A02		
REV. LTR: F	VERSION: 01	TDR: 000000360649
80000	FILE: \AAA\00007\408	REVISED: 10:56:54 04/18/2005
	MTL: -	BY: ENJOEPO

BALDOR ELECTRIC Co.

TYPE L, DV, REV, THERMAL, 7 LEADS

CD0008