



BALDOR® • *RELIANCE*

Product Information Packet

VL3510

1HP,1725RPM,1PH,60HZ,56C,3524L,TEFC,F1

Product Detail							
Revision:	Y	Status:	PRD/A	Change #:		Proprietary:	No
Type:	AC	Prod Type:	3524L	Elec. Spec:	35WGX945	CD Diagram:	CD0001
Enclosure	TEFC	Mfg Plant:		Mech Spec:	35C013	Layout:	35LYC013
Frame:	56C	Mounting:	F1	Poles:	04	Created Date:	
Base:	N	Rotation:	R	Insulation:	B	Eff. Date:	12-08-2008
Leads:	6#18	Literature:		Elec. Diagram:		Replaced By:	

Nameplate NP1256L									
CAT.NO.	VL3510								
SPEC.	35C13X945								
HP	1								
VOLTS	115/230								
AMP	12.8/6.4								
RPM	1725								
FRAME	56C	HZ	60	PH	1				
SER.F.	1.15	CODE	K	DES	L	CLASS	B		
NEMA-NOM-EFF	67	PF	73						
RATING	40C AMB-CONT								
CC		USABLE AT 208V	7						
DE	6205	ODE	6203						
ENCL	TEFC	SN							

Parts List			
Product ID	Description	Quantity	List Price
SA022582	SA 35C13X945	1.000	264.00
RA018632	RA 35C13X945	1.000	212.00
EC1645A06SP	ELEC CAP, 645-774 MFD, 125V, 2.06D X 4.	1.000	31.00
NS2512A01	INSULATOR, CONDUIT BOX X X	1.000	2.00
35CB3007	35 CB CASTING W/.88 DIA. LEAD HOLE	1.000	27.00
36GS1000SP	GASKET-CONDUIT BOX, .06 THICK #SV-330 LE	1.000	5.00
51XB1016A07	10-16 X 7/16 HXWSSLD SERTYB	2.000	2.00
11XW1032G06	10-32 X .38, TAPTITE II, HEX WSHR SLTD U	1.000	3.00
35EP3100M02	FREP TEFC 203 BRG W/O GRSR (RAISED FH MT	1.000	28.00
51XW0832A07	8-32 X .44, TAPTITE II, HEX WSHR SLTD SE	2.000	2.00
NS2501A01	INSULATOR, CAPACITOR X	1.000	2.00
51XB1016A05	10-16X5/16HX WA SL SR TYB (F/S)	2.000	2.00
HW5100A03SP	WAVY WASHER (W1543-017)	1.000	2.00
35EP3300A33	SPL FACE MTD EP -ENCL-205 BRG	1.000	80.00
51XN1032A20	10-32 X 1 1/4 HX WS SL SR	2.000	2.00
35FN3002A05SP	EXTERNAL FAN, PLASTIC, FOR .637 DIA JOUR	1.000	22.00
51XB1214A16	12-14X1.00 HXWSSLD SERTYB	1.000	2.00
35FH4005A32SP	IEC FH NO GRSR W/3 HOLES - W/AUTOPHERETI	1.000	23.00
51XW1032A06	10-32 X .38, TAPTITE II, HEX WSHR SLTD S	3.000	3.00
35CB4521	35 LIPPED CB LID (GALV & PHOSPH)	1.000	2.00
35GS1030	35 GS FOR CB LID - LEXIDE	1.000	2.00
51XW0832A07	8-32 X .44, TAPTITE II, HEX WSHR SLTD SE	4.000	2.00
HW2501D13SP	KEY, 3/16 SQ X 1.375	1.000	2.00
HA7000A04	KEY RETAINER 0.625 DIA SHAFTS	1.000	2.00

Parts List (continued)			
Product ID	Description	Quantity	List Price
10XF0440S02	04-40 X 1/8 TYPE F HEX HD STAINLESS STIC	2.000	2.00
WD1000A15	3-520132-2 AMP FLAG (4M/RL NON-CANC/NON-	2.000	2.00
MJ1000A02	GREASE, POLYREX EM EXXON	0.050	10.00
MG1000G27	PAINT- S9282E CHARCOAL GREY	0.017	4,000.00
SP5055A67	MODEL 35 TYPE L STATIONARY SWITCH LEAD A	1.000	24.00
35CB4802A02SP	CAPACITOR COVER, STAMPED X W/AUTOPHORET	1.000	16.00
35GS3001A02	GASKET, CA.COVER, 5.38 LONG .06 CS301	1.000	4.00
HA3100A15	THRUBOLT 10-32 X 8.375	4.000	2.00
LB1125C01	STD (STOCK) CARTON LABEL BALDOR WITH FLA	1.000	2.00
LC0001A01	CONN LABEL / WARNING LABEL (LC0001 / LB1	1.000	2.00
NP1256L	NP STD LASER ENGRAVED, UL CSA CC, W/O TH	1.000	3.00
35PA1066	PACKING GROUP COMBINED PRINT	1.000	13.00
PK3082	STYROFOAB CRADLE	1.000	2.00

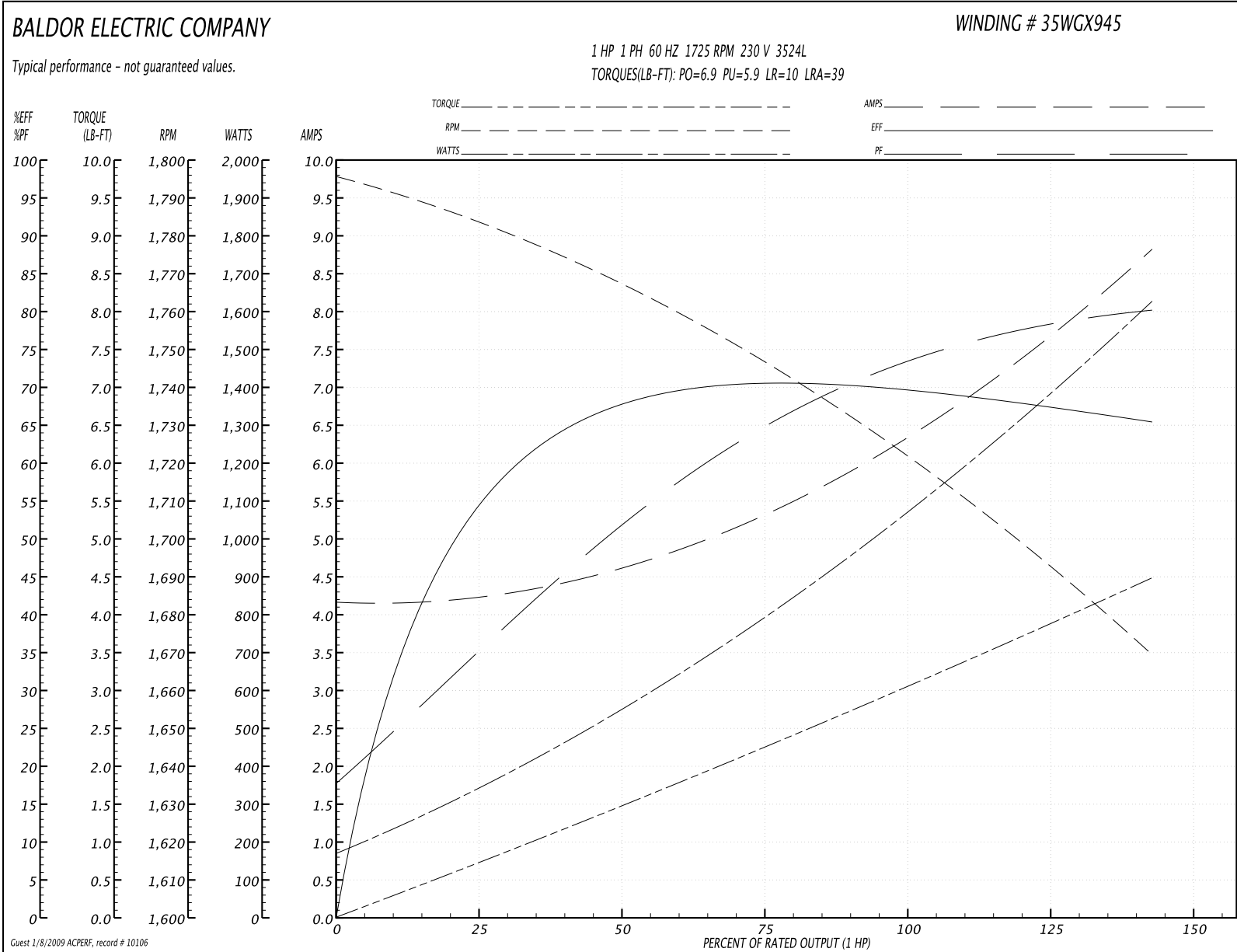
Performance Data at 230V, 60Hz, 1.0HP (Typical performance - Not guaranteed values)
General Characteristics

Full Load Torque:	3.0 LB-FT	Start Configuration:	DOL
No-Load Current:	4.1 Amps	Break-Down Torque:	6.9 LB-FT
Line-line Res. @ 25°C.:	2.6 Ohms A Ph / 1.8 Ohms B Ph	Pull-Up Torque:	5.9 LB-FT
Temp. Rise @ Rated Load:	79°C	Locked-Rotor Torque:	10.0 LB-FT
Temp. Rise @ S.F. Load:	96°C	Starting Current:	39.0 Amps

Load Characteristics

% of Rated Load:	25	50	75	100	125	150	S.F.
Power Factor:	39.0	53.0	67.0	75.0	81.0	84.0	79.0
Efficiency:	52.9	67.6	70.0	70.3	68.6	64.9	69.3
Speed:	1781.0	1765.0	1746.0	1726.0	1701.0	1666.0	1711.0
Line Amperes:	4.3	4.7	5.3	6.2	7.4	8.9	6.9

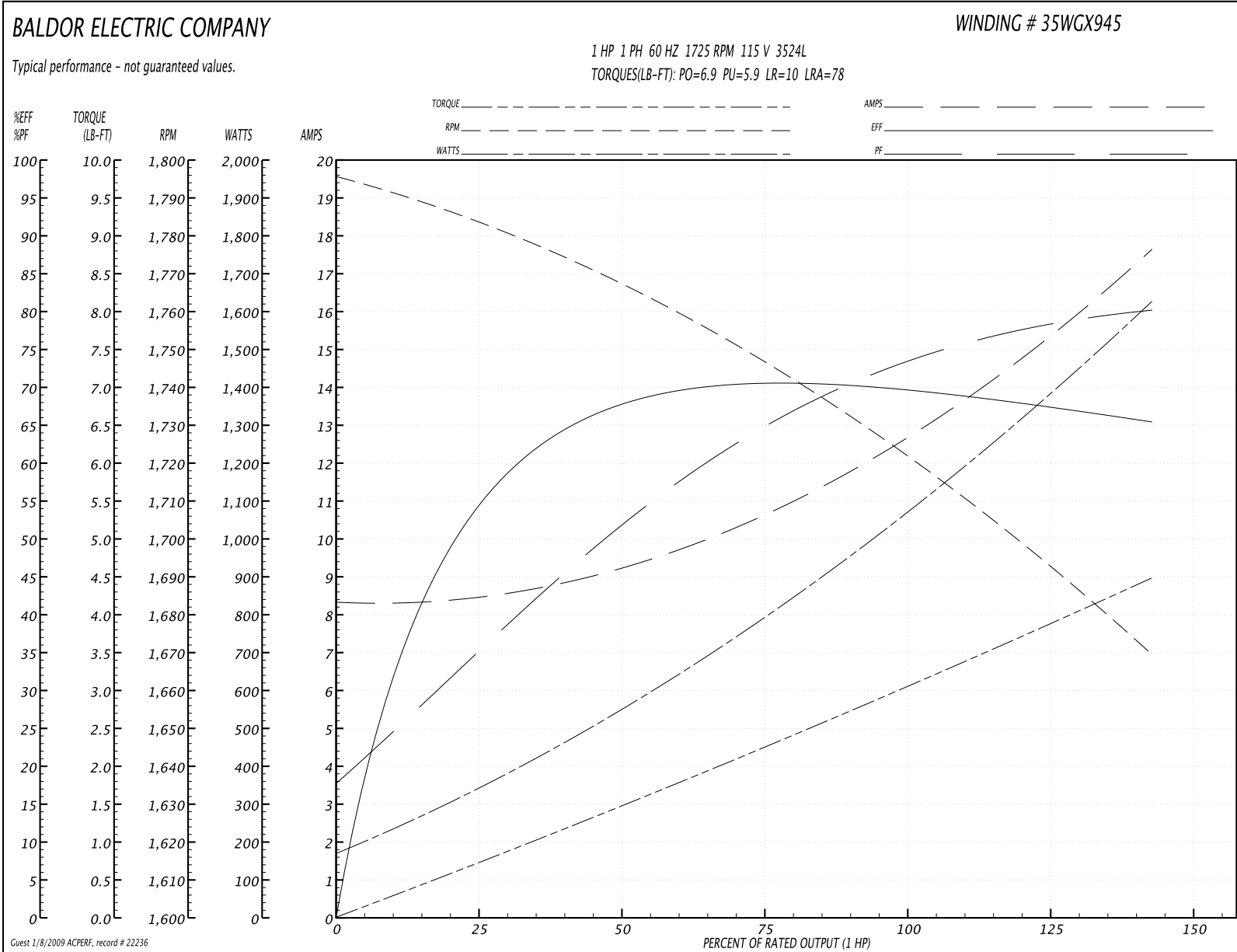
Performance Graph at 230V, 60Hz, 1.0HP (Typical performance - Not guaranteed values)

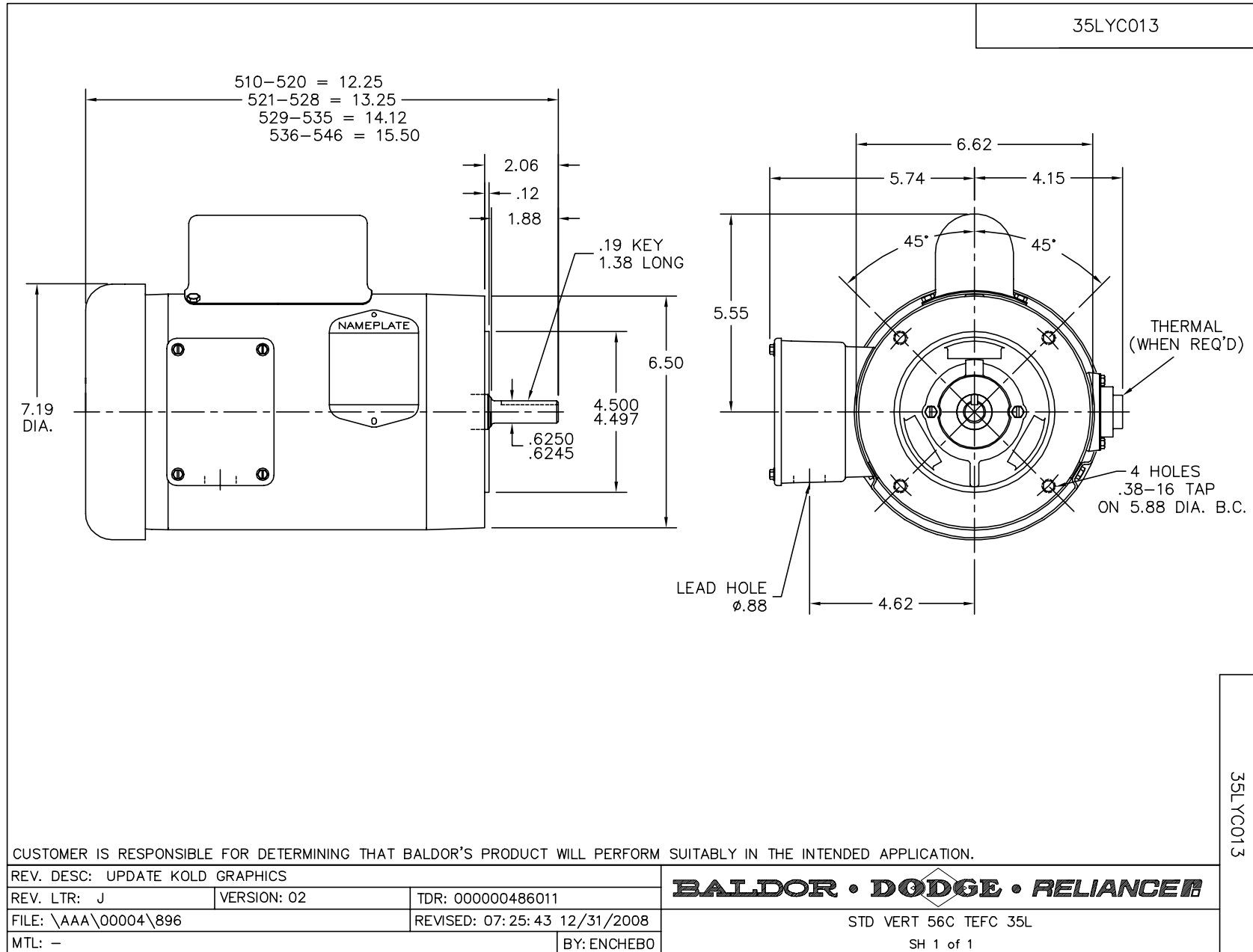


Performance Data at 115V, 60Hz, 1.0HP (Typical performance - Not guaranteed values)

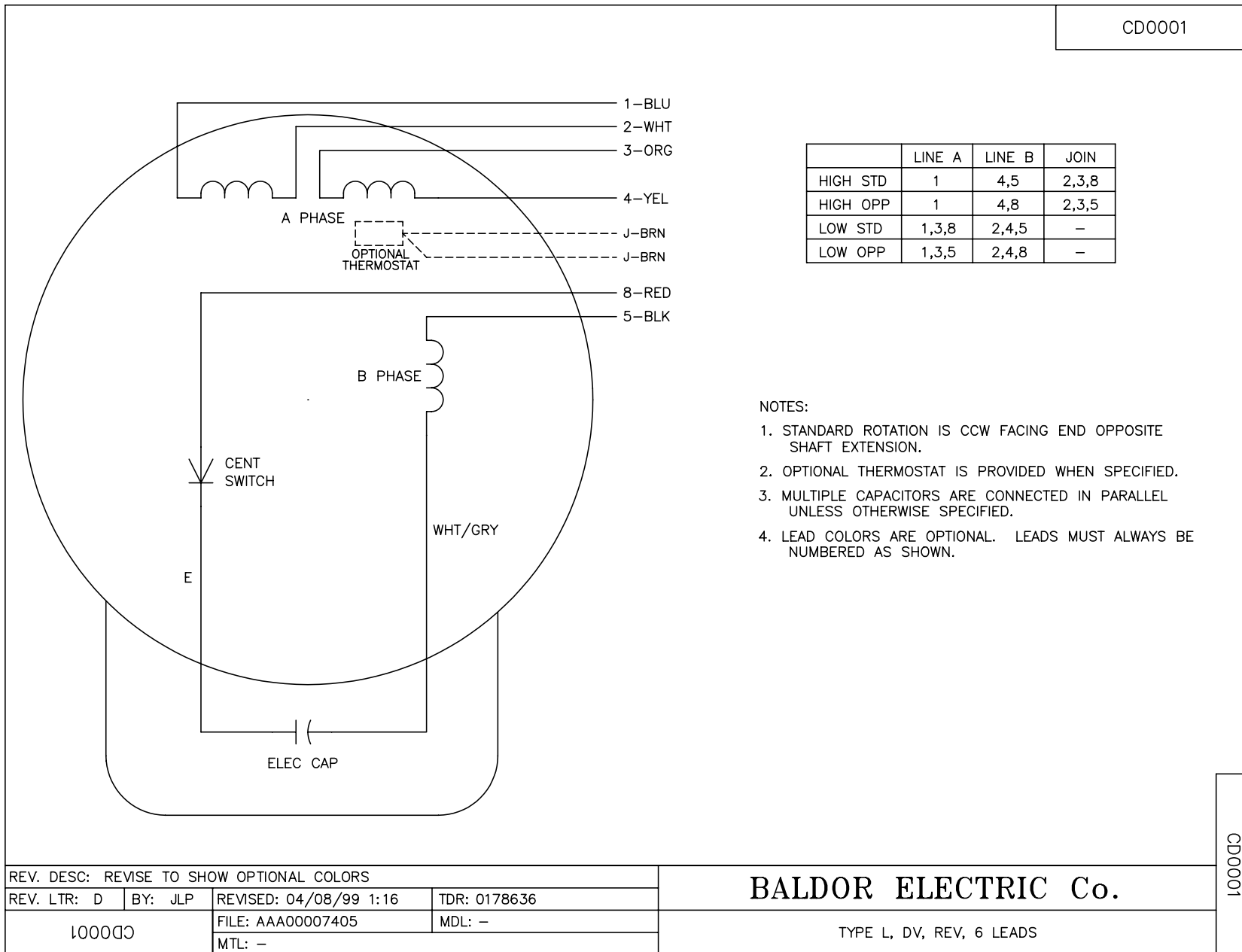
General Characteristics							
Full Load Torque:	3.0 LB-FT			Start Configuration:	DOL		
No-Load Current:	8.2 Amps			Break-Down Torque:	6.9 LB-FT		
Line-line Res. @ 25°C.:	0.65 Ohms A Ph / 1.8 Ohms B Ph			Pull-Up Torque:	5.9 LB-FT		
Temp. Rise @ Rated Load:	79°C			Locked-Rotor Torque:	10.0 LB-FT		
Temp. Rise @ S.F. Load:	96°C			Starting Current:	78.0 Amps		
Load Characteristics							
% of Rated Load:	25	50	75	100	125	150	S.F.
Power Factor:	39.0	53.0	67.0	75.0	81.0	84.0	79.0
Efficiency:	52.9	67.6	70.0	70.3	68.6	64.9	69.3
Speed:	1781.0	1765.0	1746.0	1726.0	1701.0	1666.0	1711.0
Line Amperes:	8.6	9.4	10.6	12.4	14.8	17.8	13.8

Performance Graph at 115V, 60Hz, 1.0HP (Typical performance - Not guaranteed values)





CD0001



REV. DESC: REVISE TO SHOW OPTIONAL COLORS			
REV. LTR: D	BY: JLP	REVISED: 04/08/99 1:16	TDR: 0178636
100000		FILE: AAA00007405	MDL: -
		MTL: -	

BALDOR ELECTRIC Co.

TYPE L, DV, REV, 6 LEADS

CD0001