



# **BALDOR® • *RELIANCE***

## **Product Information Packet**

### **VM3661T-9**

**3HP,1725RPM,3PH,60HZ,182TC,0623M,TEFC,F1**

Product Detail							
Revision:	M	Status:	PRD/A	Change #:		Proprietary:	No
Type:	AC	Prod Type:	0623M	Elec. Spec:	06WGX073	CD Diagram:	CD0005
Enclosure	TEFC	Mfg Plant:		Mech Spec:	06C103	Layout:	06LYC103
Frame:	182TC	Mounting:	F1	Poles:	04	Created Date:	
Base:	N	Rotation:	R	Insulation:	F	Eff. Date:	10-25-2007
Leads:	9#16	Literature:		Elec. Diagram:		Replaced By:	

Nameplate NP1256L									
CAT.NO.	VM3661T-9								
SPEC.	06C103X73								
HP	3								
VOLTS	230/460								
AMP	8.6/4.3								
RPM	1725								
FRAME	182TC	HZ	60	PH	3				
SER.F.	1.15	CODE	H	DES	C	CLASS	F		
NEMA-NOM-EFF	84	PF	75						
RATING	40C AMB-CONT								
CC		USABLE AT 208V	N/A						
DE	6206	ODE	6205						
ENCL	TEFC	SN							

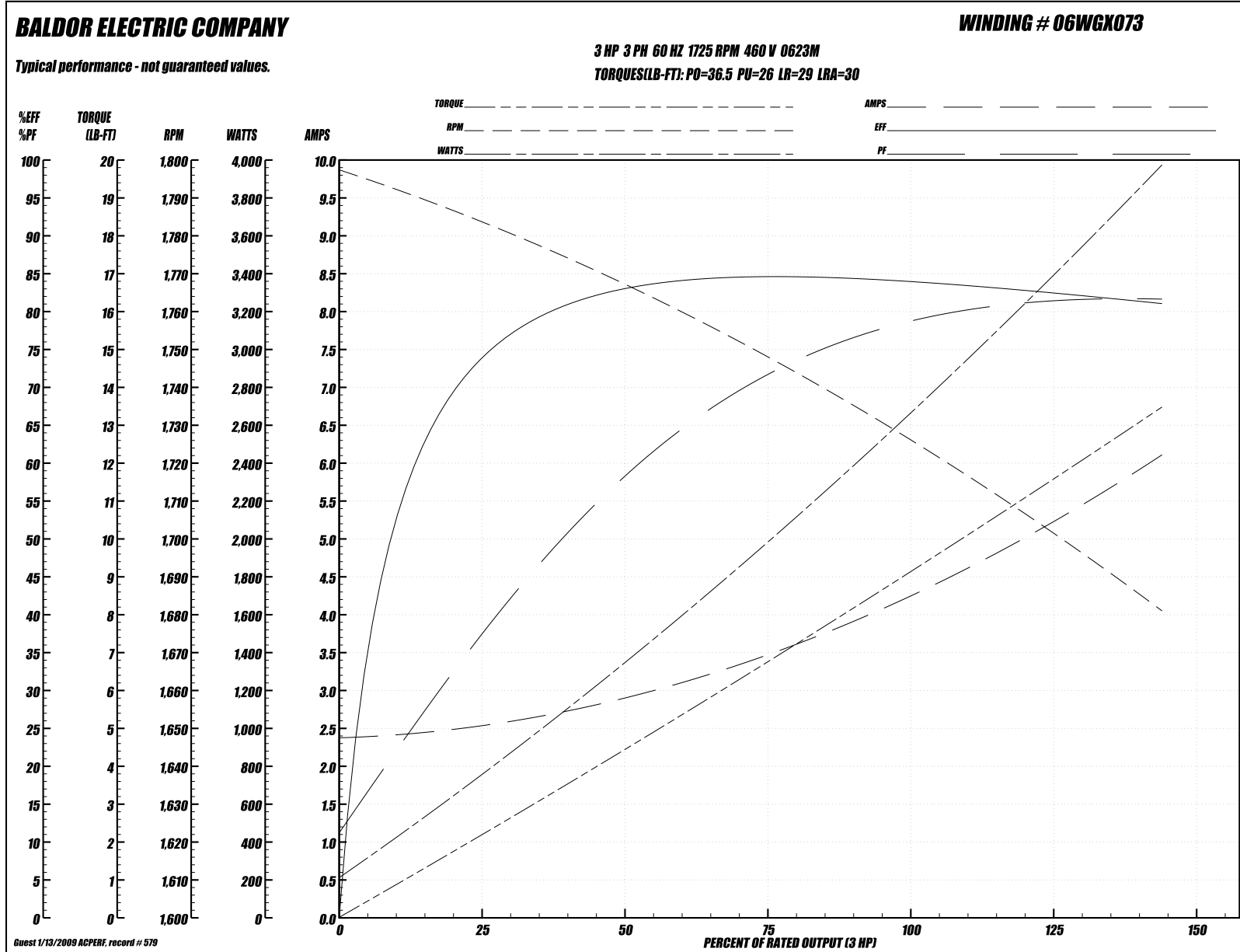
Parts List			
Product ID	Description	Quantity	List Price
SA019813	SA 06C103X73	1.000	461.00
RA015866	RA 06C103X73	1.000	385.00
HW3201A05	3/8-16 EYEBOLT	1.000	17.00
06CB3000	CONDUIT BOX CAST	1.000	14.00
06GS1000	GASKET, CONDUIT BOX	1.000	5.00
51XW2520A12	.25-20 X .75, TAPTITE II, HEX WSHR SLTD	2.000	2.00
11XW1032G06	10-32 X .38, TAPTITE II, HEX WSHR SLTD U	1.000	3.00
HW3001A01	D3019 BRASS WASHER(STIMP)	1.000	2.00
36EP1101A01	FR ENDPLATE, MACH	1.000	98.00
HW4500A01	1641B(ALEMITE)400 UNIV, GREASE FITT	1.000	2.00
HW5100A05	WVY WSHR F/205 & 304 BRGS	1.000	2.00
36EP1300A01SP	PU ENDPLATE, MACH	1.000	153.00
HW4500A01	1641B(ALEMITE)400 UNIV, GREASE FITT	1.000	2.00
10XN2520A26	1/4-20X 1 5/8 HEX HD	4.000	2.00
HA3101A34	THRUBOLT- 1/4-20 X 10.375	4.000	2.00
36FH4009A03SP	IEC FH , W/ AUTOPHERETIC PRIMER	1.000	30.00
51XW1032A06	10-32 X .38, TAPTITE II, HEX WSHR SLTD S	3.000	3.00
06CB3500	CONDUIT BOX LID - ALUMINUM DIE CAST	1.000	13.00
06GS1001	GASKET, CONDUIT BOX LID	1.000	5.00
51XW2520A12	.25-20 X .75, TAPTITE II, HEX WSHR SLTD	2.000	2.00
HW2501E16	KEY, 1/4 SQ X 1.750	1.000	2.00
HA7000A02	KEY RETAINER RING, 1 1/8 DIA, 1 3/8 DIA	1.000	2.00
LB1115	LABEL,LIFTING DEVICE (ON ROLLS0	1.000	2.00
85XU0407A04	#4-7 X 1/4 DRIVE PIN	2.000	2.00

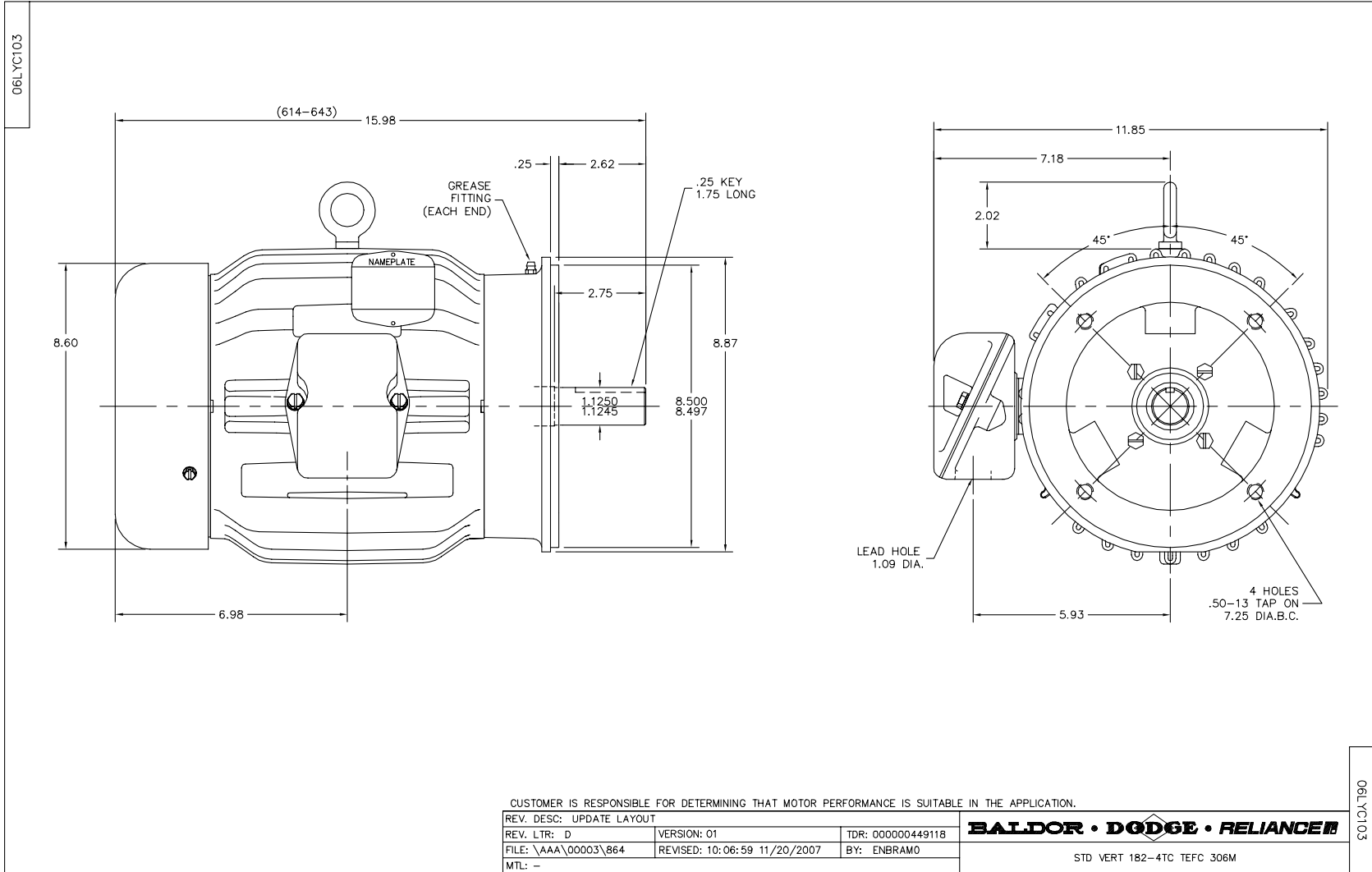
<b>Parts List (continued)</b>			
<b>Product ID</b>	<b>Description</b>	<b>Quantity</b>	<b>List Price</b>
MJ1000A02	GREASE, POLYREX EM EXXON	0.050	10.00
36FN3000A01SP	FAN EXTERNAL,PLASTIC, 7.00 OD, .912/.907	1.000	23.00
51XB1214A16	12-14X1.00 HXWSSLD SERTYB	1.000	2.00
MG1000G27	PAINT- S9282E CHARCOAL GREY	0.028	4,000.00
LB1125C01	STD (STOCK) CARTON LABEL BALDOR WITH FLA	1.000	2.00
LC0005E01	CONN.DIA./WARNING LABEL (LC0005/LB1119)	1.000	2.00
NP1256L	NP STD LASER ENGRAVED, UL CSA CC, W/O TH	1.000	3.00
36PA1001	PACKAGING GROUP	1.000	25.00
PK3082	STYROFOAB CRADLE	1.000	2.00

**Performance Data at 460V, 60Hz, 3.0HP (Typical performance - Not guaranteed values)**

General Characteristics							
<b>Full Load Torque:</b>	9.0 LB-FT			<b>Start Configuration:</b>	DOL		
<b>No-Load Current:</b>	2.4 Amps			<b>Break-Down Torque:</b>	36.5 LB-FT		
<b>Line-line Res. @ 25°C.:</b>	5.07 Ohms A Ph / 0.0 Ohms B Ph			<b>Pull-Up Torque:</b>	26.0 LB-FT		
<b>Temp. Rise @ Rated Load:</b>	73°C			<b>Locked-Rotor Torque:</b>	29.0 LB-FT		
<b>Temp. Rise @ S.F. Load:</b>	89°C			<b>Starting Current:</b>	30.0 Amps		
Load Characteristics							
<b>% of Rated Load:</b>	<b>25</b>	<b>50</b>	<b>75</b>	<b>100</b>	<b>125</b>	<b>150</b>	<b>S.F.</b>
<b>Power Factor:</b>	38.0	59.0	72.0	79.0	83.0	86.0	81.0
<b>Efficiency:</b>	74.4	82.6	84.5	84.2	82.9	80.9	83.4
<b>Speed:</b>	1783.0	1766.0	1748.0	1728.0	1706.0	1680.0	1715.0
<b>Line Amperes:</b>	2.5	2.9	3.5	4.2	5.1	6.1	4.7

Performance Graph at 460V, 60Hz, 3.0HP (Typical performance - Not guaranteed values)

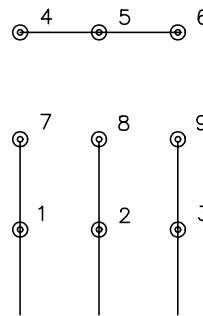




CD0005

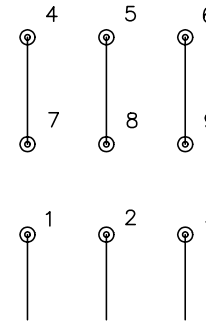


LOW VOLTAGE  
(2Y)



LINE

HIGH VOLTAGE  
(1Y)



LINE

NOTES:

1. INTERCHANGE ANY TWO LINE LEADS TO REVERSE ROTATION.
2. OPTIONAL THERMOSTATS ARE PROVIDED WHEN SPECIFIED.
3. ACTUAL NUMBER OF INTERNAL PARALLEL CIRCUITS MAY BE A MULTIPLE OF THOSE SHOWN ABOVE.
4. LEAD COLORS ARE OPTIONAL. LEADS MUST ALWAYS BE NUMBERED AS SHOWN.

REV. DESC: REVISE TO SHOW OPTIONAL COLORS			
REV. LTR: E	BY: JLP	REVISED: 01/19/99 10:15	TDR: 0171435
90000		FILE: AAA00005140	MDL: -
		MTL: -	

**BALDOR ELECTRIC Co.**

3PH, DV, 9 LEADS

CD0005