



BALDOR® • *RELIANCE*

Product Information Packet

VM8004

1.5HP,1725RPM,3PH,60HZ,56C,3520M,TEFC,F1

Product Detail

Revision:	AB	Status:	PRD/A	Change #:		Proprietary:	No
Type:	AC	Prod Type:	3520M	Elec. Spec:	35WGW206	CD Diagram:	CD0005
Enclosure	TEFC	Mfg Plant:		Mech Spec:	35K052	Layout:	35LYK052
Frame:	56C	Mounting:	F1	Poles:	04	Created Date:	
Base:	N	Rotation:	R	Insulation:	F	Eff. Date:	01-17-2008
Leads:	9#18	Literature:		Elec. Diagram:		Replaced By:	

Nameplate NP1261L

CAT.NO.	VM8004						
SPEC.	35K52W206						
HP	1.5						
VOLTS	208-230/460						
AMP	5.3-5/2.5						
RPM	1725						
FRAME	56C	HZ	60	PH	3		
SER.F.	1.15	CODE	K	DES	B	CLASS	F
NEMA-NOM-EFF	78.5	PF	72				
RATING	40C AMB-CONT						
CC		USABLE AT 208V	5.3				
DE	6205	ODE	6203				
ENCL	TEFC	SN					

Parts List			
Product ID	Description	Quantity	List Price
SA026445	SA 35K52W206	1.000	409.00
RA022495	RA 35K52W206	1.000	341.00
NS2512A01	INSULATOR, CONDUIT BOX X X	1.000	2.00
35CB1001A01G	SPL CONDUIT BOX, MACHINED	1.000	18.00
35GS1022A02	GASKET BOX .06 THK NEOP BLK HDN 30-40 DU	1.000	2.00
51XB1016A08	10-16X 1/2HXWSSLD SERTYB	2.000	2.00
11XW1032G06	10-32 X .38, TAPTITE II, HEX WSHR SLTD U	1.000	3.00
HW3001A01	D3019 BRASS WASHER(STIMP)	1.000	2.00
35EP1100A01WP	FREP, MACH, WHITE PRIMER POWDER COAT	1.000	96.00
HW5100A03SP	WAVY WASHER (W1543-017)	1.000	2.00
35EP1300A36G	SPL FACE MTD. E.P. ENCL. 56C 05 BRG FOR	1.000	123.00
51XN1032A20	10-32 X 1 1/4 HX WS SL SR	2.000	2.00
51XB1214A16	12-14X1.00 HXWSSLD SERTYB	1.000	2.00
35FH4005A01SP	IEC FH NO GREASER W/AUTOPHORETIC PRIMER	1.000	23.00
51XW1032A06	10-32 X .38, TAPTITE II, HEX WSHR SLTD S	3.000	3.00
35CB4516	CONDUIT BOX LID, AUTOPHORETIC	1.000	3.00
36GS1002	GASKET, 1/16" NEOPRENE CONDUIT BOX LID	1.000	2.00
51XW0832A07	8-32 X .44, TAPTITE II, HEX WSHR SLTD SE	4.000	2.00
HA1005A03SP	6-1119 SLINGER, .937 I.D. X 1.75 O.D. X	1.000	3.00
HW2502D13	SS KEY, 3/16 SQ X 1.375	1.000	2.00
HA7000A04	KEY RETAINER 0.625 DIA SHAFTS	1.000	2.00
MJ5001A01	46-665 RED SEALER	0.001	57.00
10XF0440S02	04-40 X 1/8 TYPE F HEX HD STAINLESS STIC	2.000	2.00
LB1000	LABEL, DIRTY DUTY	1.000	10.00

Parts List (continued)			
Product ID	Description	Quantity	List Price
MJ1000A02	GREASE, POLYREX EM EXXON	0.050	10.00
35FN3002A05SP	EXTERNAL FAN, PLASTIC, FOR .637 DIA JOUR	1.000	22.00
MG1025G29	PAINT 789.205 DARK GRAY METALLIC (USE W/	0.017	338.00
MG1025Z20	ACTIVATOR WILKOFAS 060.32	0.010	218.00
HA3100A12	THRUBOLT 10-32 X 7.375	4.000	2.00
LB1125C01	STD (STOCK) CARTON LABEL BALDOR WITH FLA	1.000	2.00
LC0005E01	CONN.DIA./WARNING LABEL (LC0005/LB1119)	1.000	2.00
NP1261L	NP LASER ENGRAVED,UL CSA CC,W/O THERM,SS	1.000	
35PA1066	PACKING GROUP COMBINED PRINT	1.000	13.00
PK3082	STYROFOAB CRADLE	1.000	2.00

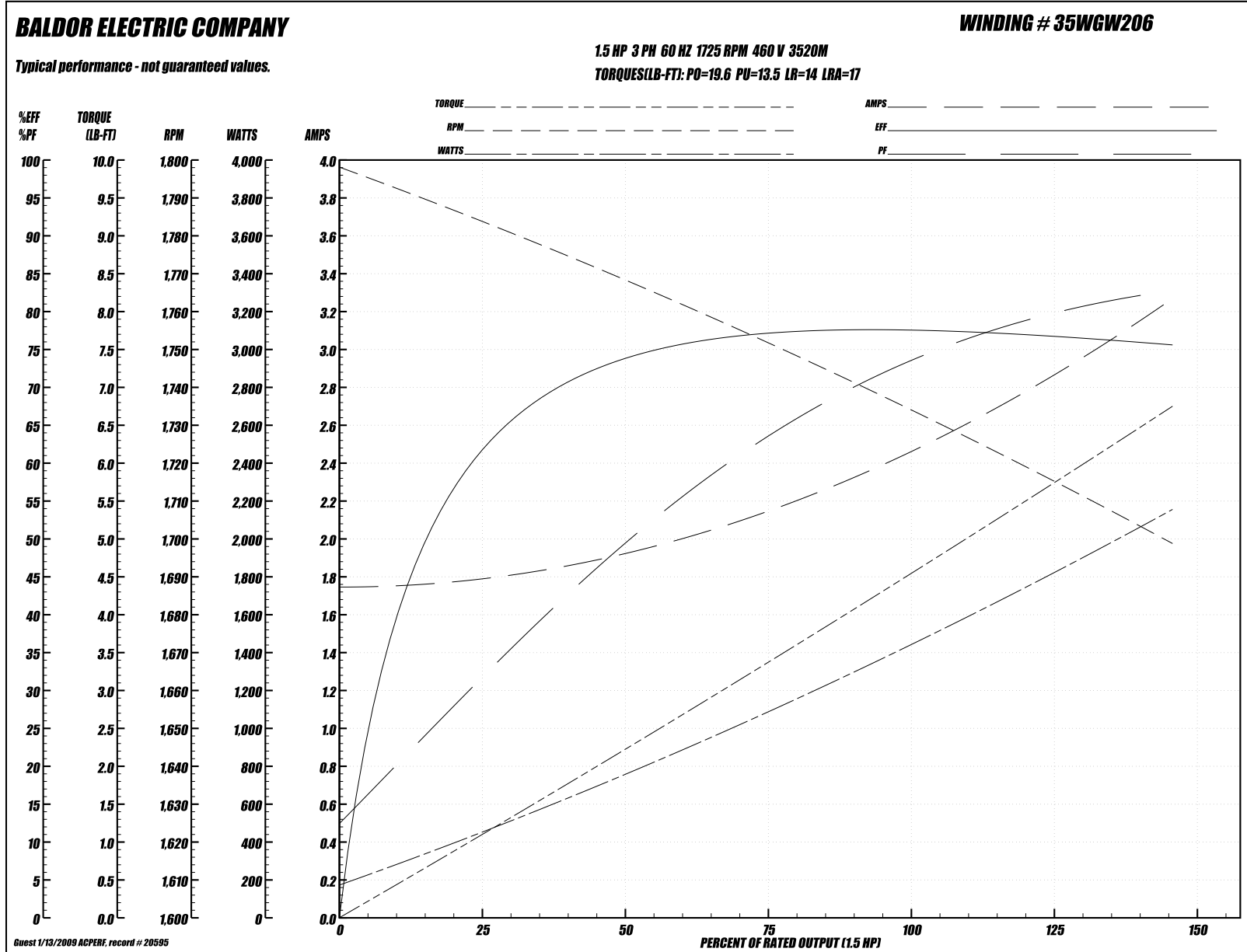
Performance Data at 460V, 60Hz, 1.5HP (Typical performance - Not guaranteed values)
General Characteristics

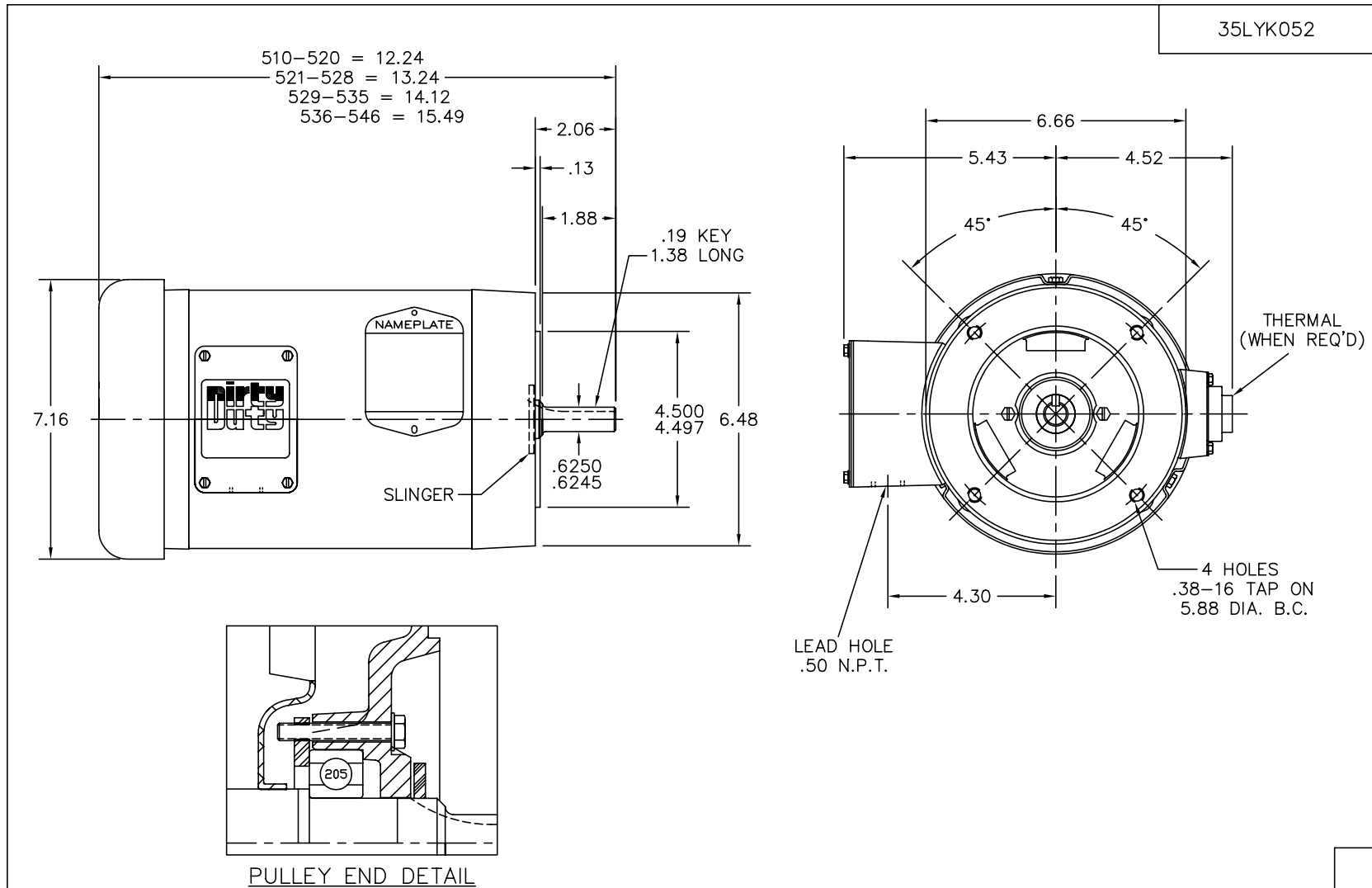
Full Load Torque:	4.5 LB-FT	Start Configuration:	DOL
No-Load Current:	1.75 Amps	Break-Down Torque:	19.6 LB-FT
Line-line Res. @ 25°C.:	12.6 Ohms A Ph / 0.0 Ohms B Ph	Pull-Up Torque:	13.5 LB-FT
Temp. Rise @ Rated Load:	67°C	Locked-Rotor Torque:	14.0 LB-FT
Temp. Rise @ S.F. Load:	80°C	Starting Current:	17.0 Amps

Load Characteristics

% of Rated Load:	25	50	75	100	125	150	S.F.
Power Factor:	32.0	50.0	63.0	72.0	79.0	83.0	76.0
Efficiency:	61.2	73.6	77.1	77.9	77.1	75.4	77.4
Speed:	1783.0	1769.0	1752.0	1735.0	1715.0	1700.0	1723.0
Line Amperes:	1.8	1.9	2.15	2.45	2.85	3.25	2.7

Performance Graph at 460V, 60Hz, 1.5HP (Typical performance - Not guaranteed values)





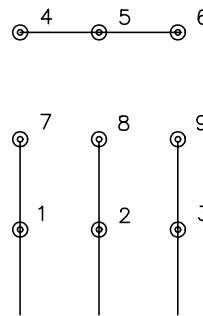
CUST. NAME		CUST. P.O.		CERTIFIED BY		MODEL		INSUL		AMB		
H.P.		MTG		TYPE		R.P.M.		VOLTS		ENCL		
PHASE		FREQ		FRAME		REV. DESC: CHG'D KOBX AND LID						
REV. LTR: M		BY: JED		REVISED: 06/03/99 8:57		TDR: 0183300						
FILE: AAA00014318		MDL: -						BALDOR ELECTRIC Co. STD VERT 35M TEFC 56C (S/P 32-2)				
MTL: -		ZSOXΛ79E										

35LYK052

CD0005

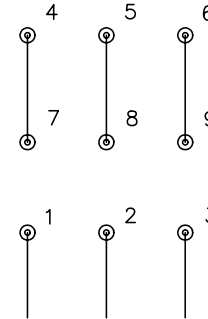


LOW VOLTAGE
(2Y)



LINE

HIGH VOLTAGE
(1Y)



LINE

NOTES:

1. INTERCHANGE ANY TWO LINE LEADS TO REVERSE ROTATION.
2. OPTIONAL THERMOSTATS ARE PROVIDED WHEN SPECIFIED.
3. ACTUAL NUMBER OF INTERNAL PARALLEL CIRCUITS MAY BE A MULTIPLE OF THOSE SHOWN ABOVE.
4. LEAD COLORS ARE OPTIONAL. LEADS MUST ALWAYS BE NUMBERED AS SHOWN.

REV. DESC: REVISE TO SHOW OPTIONAL COLORS			
REV. LTR: E	BY: JLP	REVISED: 01/19/99 10:15	TDR: 0171435
9000D		FILE: AAA00005140	MDL: -
		MTL: -	

BALDOR ELECTRIC Co.

3PH, DV, 9 LEADS

CD0005