



BALDOR® • *RELIANCE*

Product Information Packet

VM8004T-5

1.5HP,1740RPM,3PH,60HZ,145TC,0524M,TEFC

Product Detail

Revision:	-	Status:	PRD/A	Change #:		Proprietary:	No
Type:	AC	Prod Type:	0524M	Elec. Spec:	05WGW519	CD Diagram:	CD0006
Enclosure	TEFC	Mfg Plant:		Mech Spec:	05E533	Layout:	05LYE533
Frame:	145TC	Mounting:	F1	Poles:	04	Created Date:	04-01-2008
Base:	N	Rotation:	R	Insulation:	F	Eff. Date:	04-23-2008
Leads:	3#18	Literature:		Elec. Diagram:		Replaced By:	

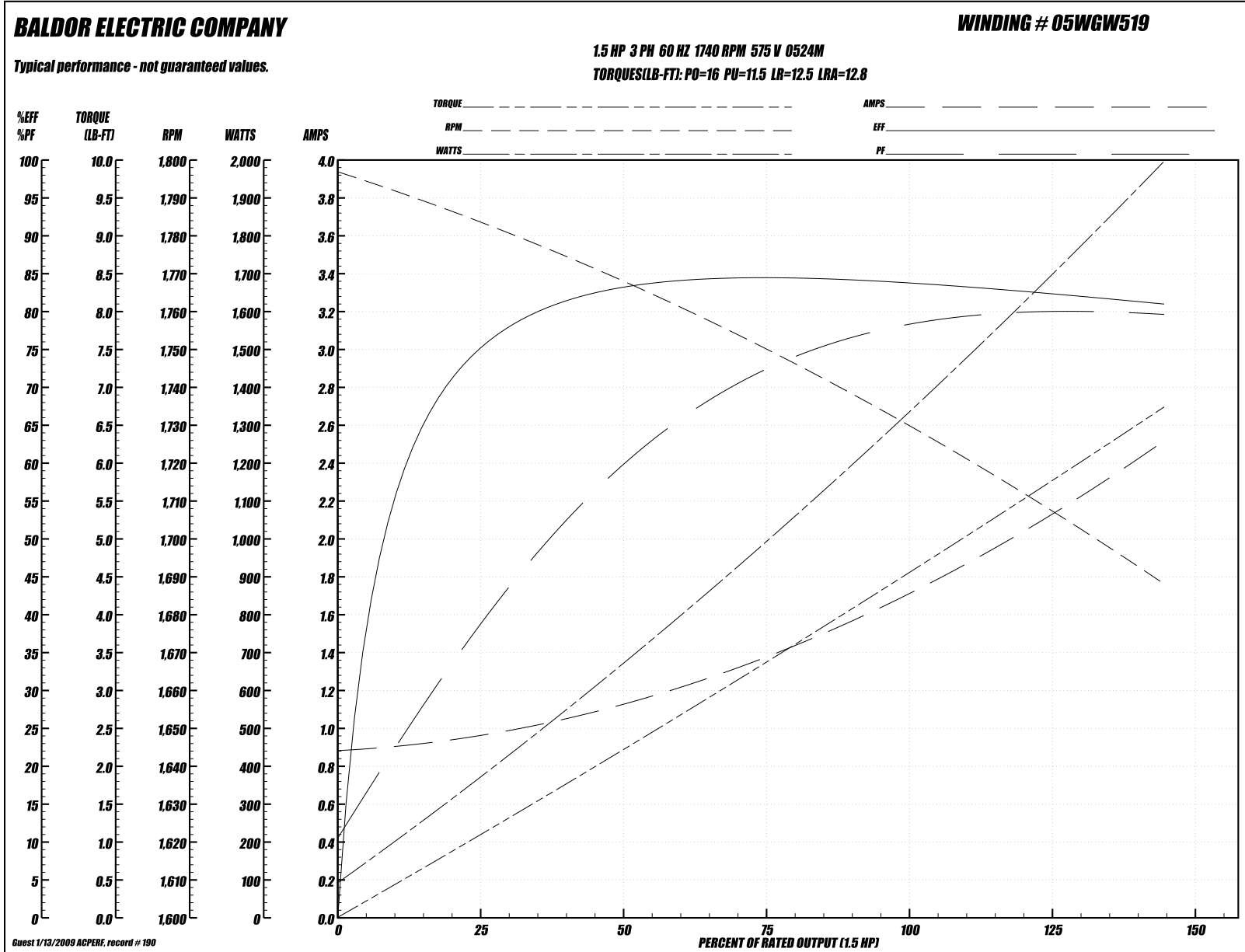
Nameplate NP1261E

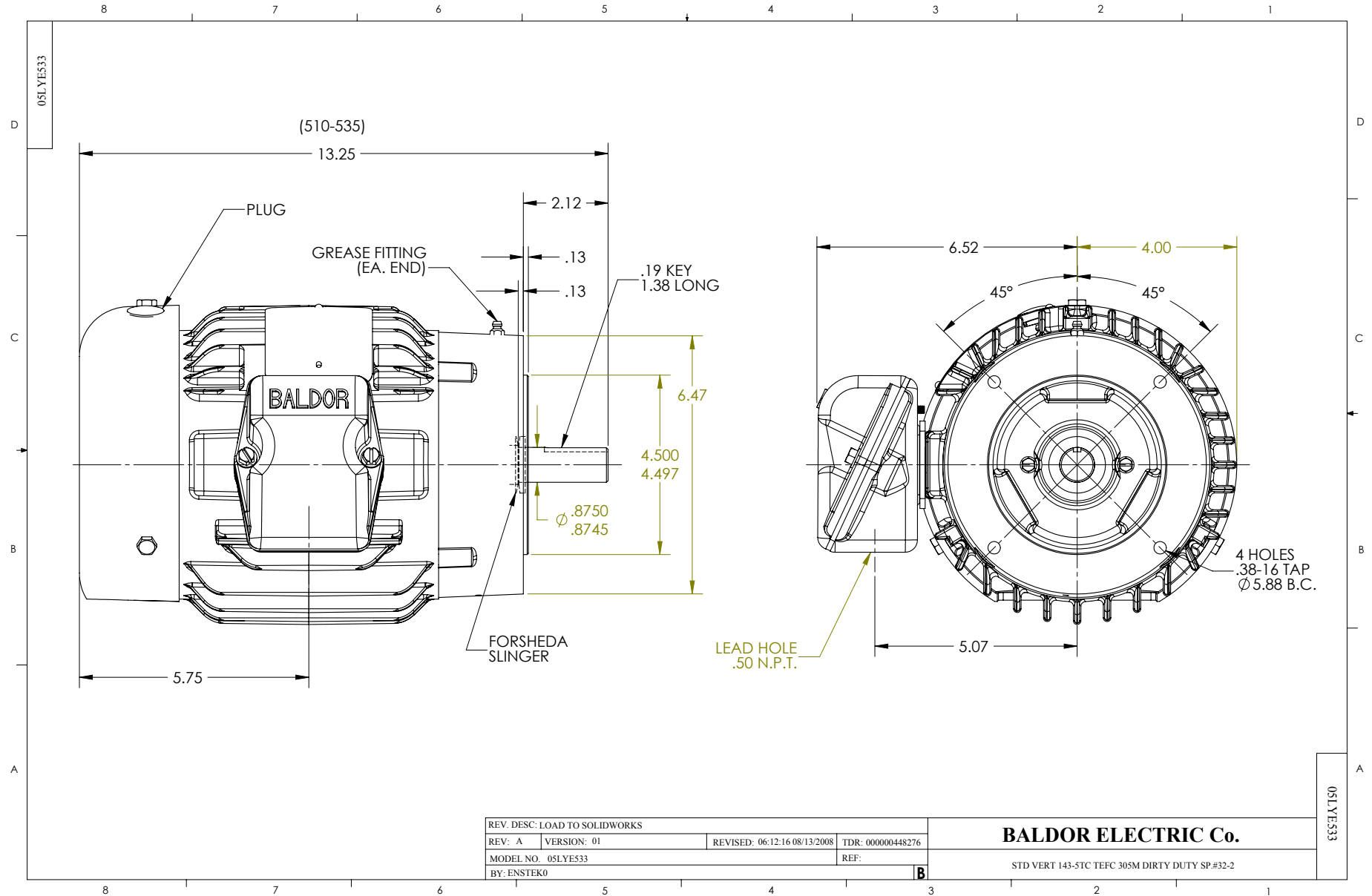
CAT.NO.	VM8004T-5						
SPEC.	05E533W519H1						
HP	1.5						
VOLTS	575						
AMP	1.7						
RPM	1740						
FRAME	145TC	HZ	60	PH	3		
SER.F.	1.15	CODE	K	DES	B	CL	F
NEMA-NOM-EFF	84	PF	79				
RATING	40C AMB-CONT						
CC			USABLE AT 208V				
DE	6205	ODE	6203				
ENCL	TEFC	SN					

Performance Data at 575V, 60Hz, 1.5HP (Typical performance - Not guaranteed values)

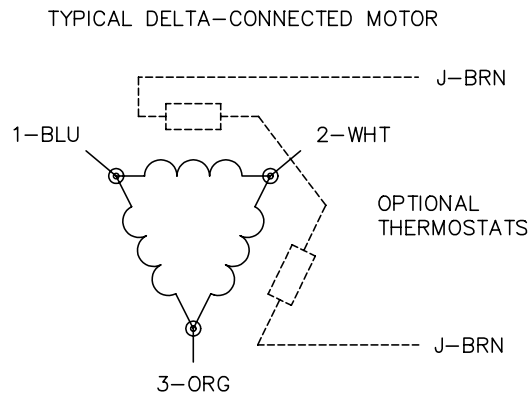
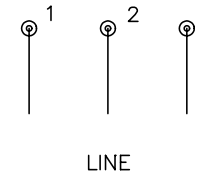
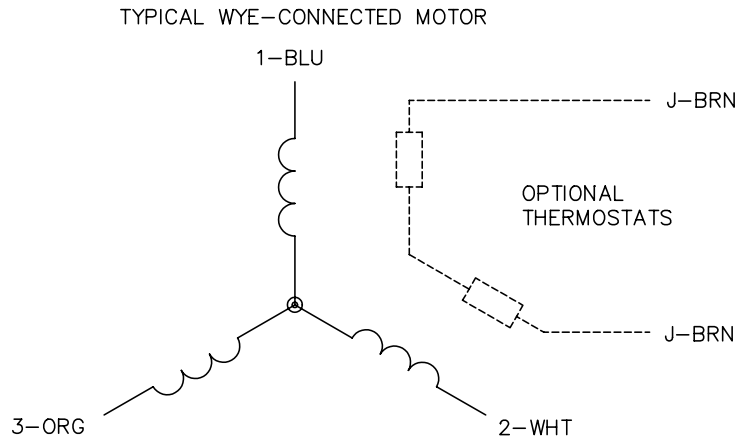
General Characteristics							
Full Load Torque:	4.5 LB-FT			Start Configuration:	DOL		
No-Load Current:	0.9 Amps			Break-Down Torque:	16.0 LB-FT		
Line-line Res. @ 25°C.:	17.7 Ohms A Ph / 0.0 Ohms B Ph			Pull-Up Torque:	11.5 LB-FT		
Temp. Rise @ Rated Load:	55°C			Locked-Rotor Torque:	12.5 LB-FT		
Temp. Rise @ S.F. Load:	71°C			Starting Current:	12.8 Amps		
Load Characteristics							
% of Rated Load:	25	50	75	100	125	150	S.F.
Power Factor:	41.0	60.0	72.0	79.0	83.0	85.0	0.0
Efficiency:	75.3	82.7	84.3	84.1	82.8	80.8	0.0
Speed:	1782.0	1767.0	1750.0	1732.0	1711.0	1687.0	0.0
Line Amperes:	0.95	1.1	1.4	1.7	2.1	2.5	0.0

Performance Graph at 575V, 60Hz, 1.5HP (Typical performance - Not guaranteed values)





CD0006



NOTES:

1. THREE LEAD MOTOR MAY BE EITHER WYE CONNECTED OR DELTA CONNECTED.
2. INTERCHANGE ANY TWO LINE LEADS TO REVERSE ROTATION.
3. OPTIONAL THERMOSTATS ARE PROVIDED WHEN SPECIFIED.
4. ACTUAL NUMBER OF INTERNAL PARALLEL CIRCUITS MAY VARY.
5. LEAD COLORS ARE OPTIONAL. LEADS MUST BE NUMBERED AS SHOWN.

REV. DESC: REVISE TO SHOW OPTIONAL COLORS			
REV. LTR: D	BY: JLP	REVISED: 01/21/99 4:02	TDR: 0171435
9000D		FILE: AAA00005141	MDL: -
		MTL: -	

BALDOR ELECTRIC Co.

3PH, SV, 3 LEADS, WYE OR DELTA CONNECTED

CD0006