



# **BALDOR® • *RELIANCE***

## **Product Information Packet**

### **VWAM3554T**

**1.5HP,1755RPM,3PH,60HZ,145TC,3526M,TENV**

Product Detail							
Revision:	A	Status:	PRD/A	Change #:		Proprietary:	No
Type:	AC	Prod Type:	3526M	Elec. Spec:	35WGP689	CD Diagram:	CD0005
Enclosure	TENV	Mfg Plant:		Mech Spec:	35T772	Layout:	35LYT772
Frame:	145TC	Mounting:	F1	Poles:	04	Created Date:	02-18-2008
Base:	N	Rotation:	R	Insulation:	F	Eff. Date:	12-23-2008
Leads:	9#18	Literature:		Elec. Diagram:		Replaced By:	

**Nameplate NP2072E**

CAT.NO.	VWAM3554T						
SPEC.	35T772P689						
HP	1.5						
VOLTS	208-230/460						
AMP	4.9-4.5/2.25						
RPM	1755						
FRAME	145TC	HZ	60	PH	3		
SER.F.	1.15	CODE	M	DES	B	CL	F
NEMA-NOM-EFF	85.5	PF	72				
RATING	40C AMB-CONT						
CC				USABLE AT 208V			
DE	6205	ODE	6203				
ENCL	TENV	SN					

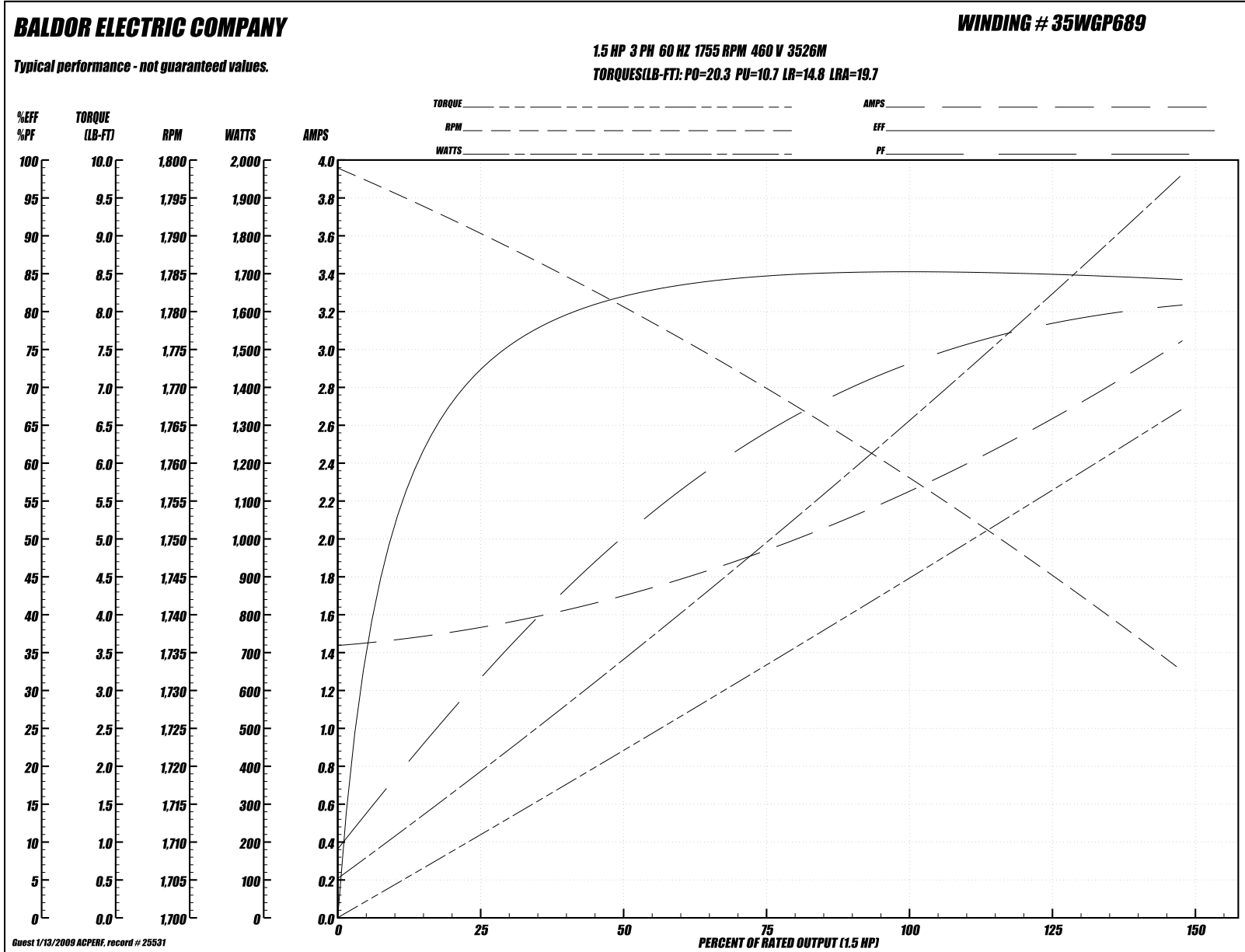
<b>Parts List</b>			
<b>Product ID</b>	<b>Description</b>	<b>Quantity</b>	<b>List Price</b>
SA168784	SA 35T772P689	1.000	411.00
RA157077	RA 35T772P689	1.000	343.00
NS2512A01	INSULATOR, CONDUIT BOX X X	1.000	2.00
35CB1001A01A	CONDUIT BOX, W/AUTOPHORETIC PRIMER	1.000	25.00
35GS1022A02	GASKET BOX .06 THK NEOP BLK HDN 30-40 DU	1.000	2.00
51XB1016A07	10-16 X 7/16 HXWSSLD SERTYB	2.000	2.00
11XW1032G06	10-32 X .38, TAPTITE II, HEX WSHR SLTD U	1.000	3.00
HW3001A01	D3019 BRASS WASHER(STIMP)	1.000	2.00
35EP1100B59A	FRONT TENV 203 BRG WD3 (AUTOPHORETIC)	1.000	146.00
HW4500A33	1/8 NPT STAINLESS,HOLO-KROME #13002,PRES	3.000	3.00
HW5100A03SP	WAVY WASHER (W1543-017)	1.000	2.00
35EP1300A95A	PULLEY 143-5TC ENCL 205 BRG WD3 W/ AUTOP	1.000	218.00
HW4500A33	1/8 NPT STAINLESS,HOLO-KROME #13002,PRES	3.000	3.00
HW4606A02	JM CLIPPER/SEAL (LWE-0938-1624-AL23)	1.000	46.00
12XN1032S20	10-32 X 1-1/4 HEX M.S. , STAINLESS STEEL	2.000	3.00
35CB4516	CONDUIT BOX LID, AUTOPHORETIC	1.000	3.00
36GS1002	GASKET, 1/16" NEOPRENE CONDUIT BOX LID	1.000	2.00
59XW0832S07	TAPTITE II,HEX WSHR UNSLTD SER,410 S.S.,	4.000	2.00
HW2502D13	SS KEY, 3/16 SQ X 1.375	1.000	2.00
HA7000A01	KEY RETAINER 7/8" DIA SHAFT	1.000	2.00
MJ5001A02	732 CL SEALANT 3 OZ DIXIE BEARING 289100	0.001	23.00
MG1025A01	PAINT, 770.02 WILKOFASST CLEAR EPOXY	0.010	338.00
10XF0440S02	04-40 X 1/8 TYPE F HEX HD STAINLESS STIC	2.000	2.00
LB1164	LABEL,WARNING AND DRAIN F/HOSE DOWN	1.000	2.00

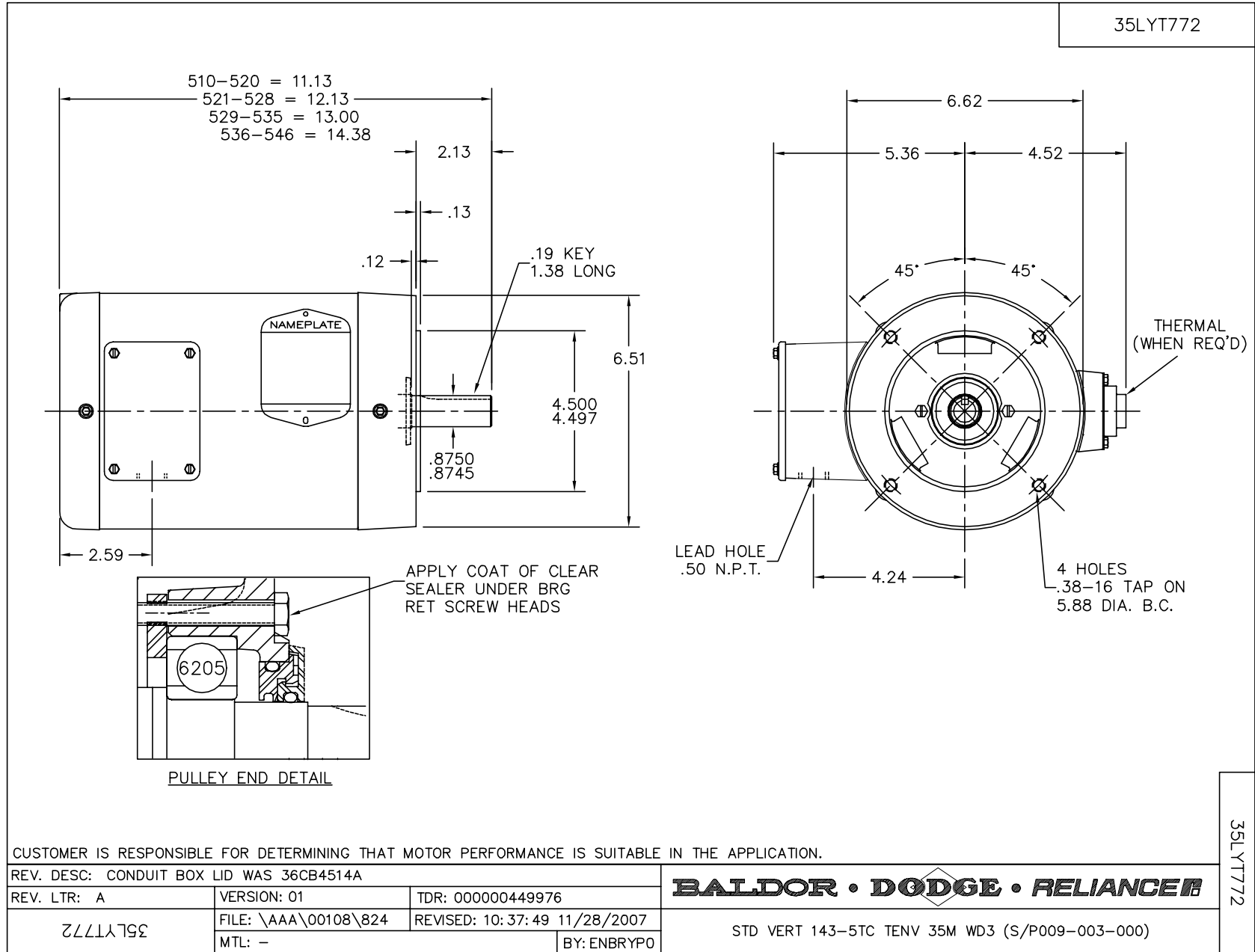
<b>Parts List (continued)</b>			
<b>Product ID</b>	<b>Description</b>	<b>Quantity</b>	<b>List Price</b>
MJ5001A23	P.D. GEORGE 494 AIR DRY INSULATING VARNI	0.001	
MJ1000A02	GREASE, POLYREX EM EXXON	0.050	10.00
HA3100S07	THRUBOLT 10-32 X 8.375 SS	4.000	3.00
LB1125C01	STD (STOCK) CARTON LABEL BALDOR WITH FLA	1.000	2.00
LC0005	CONN.DIA.,TYPE M,9-LD,DUAL VOLTAGE,REVER	1.000	2.00
NP2072E	NAMEPLATE,SEVER DUTY XT	1.000	
35PA1066	PACKING GROUP COMBINED PRINT	1.000	13.00
PK3082	STYROFOAB CRADLE	1.000	2.00

**Performance Data at 460V, 60Hz, 1.5HP (Typical performance - Not guaranteed values)**

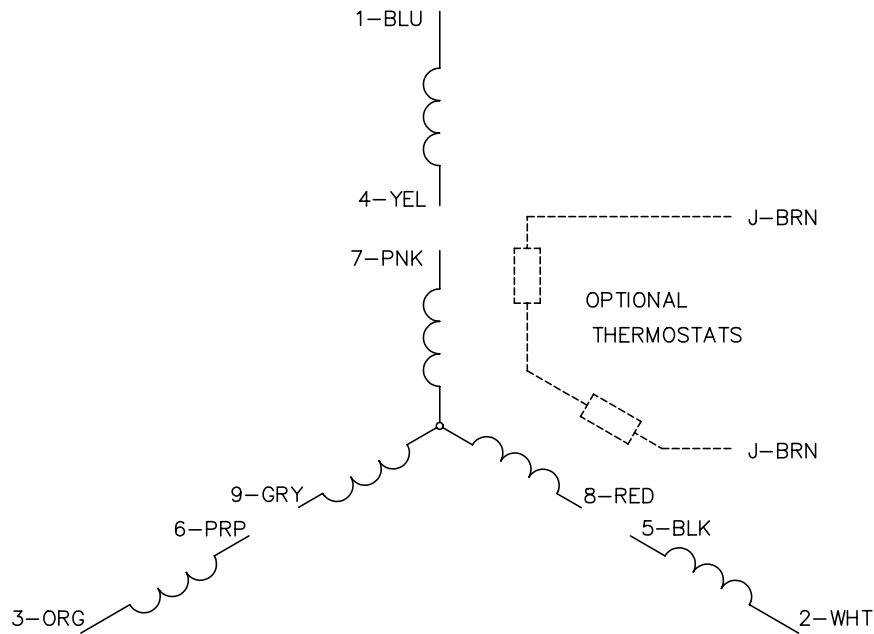
General Characteristics							
<b>Full Load Torque:</b>	4.41 LB-FT			<b>Start Configuration:</b>	DOL		
<b>No-Load Current:</b>	1.45 Amps			<b>Break-Down Torque:</b>	20.3 LB-FT		
<b>Line-line Res. @ 25°C.:</b>	9.05 Ohms A Ph / 0.0 Ohms B Ph			<b>Pull-Up Torque:</b>	10.7 LB-FT		
<b>Temp. Rise @ Rated Load:</b>	82°C			<b>Locked-Rotor Torque:</b>	14.8 LB-FT		
<b>Temp. Rise @ S.F. Load:</b>	96°C			<b>Starting Current:</b>	19.7 Amps		
Load Characteristics							
<b>% of Rated Load:</b>	<b>25</b>	<b>50</b>	<b>75</b>	<b>100</b>	<b>125</b>	<b>150</b>	<b>S.F.</b>
<b>Power Factor:</b>	31.0	50.0	63.0	72.0	78.0	81.0	76.0
<b>Efficiency:</b>	71.6	81.6	84.7	85.5	85.2	84.2	85.3
<b>Speed:</b>	1791.0	1781.0	1770.0	1759.0	1747.0	1732.0	1752.0
<b>Line Amperes:</b>	1.51	1.68	1.93	2.24	2.61	3.04	2.46

Performance Graph at 460V, 60Hz, 1.5HP (Typical performance - Not guaranteed values)

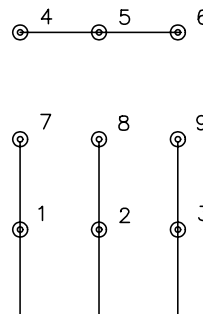




CD0005

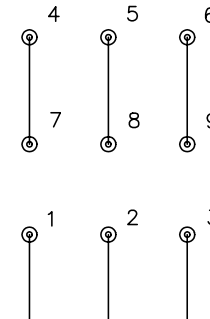


LOW VOLTAGE  
(2Y)



LINE

HIGH VOLTAGE  
(1Y)



LINE

NOTES:

1. INTERCHANGE ANY TWO LINE LEADS TO REVERSE ROTATION.
2. OPTIONAL THERMOSTATS ARE PROVIDED WHEN SPECIFIED.
3. ACTUAL NUMBER OF INTERNAL PARALLEL CIRCUITS MAY BE A MULTIPLE OF THOSE SHOWN ABOVE.
4. LEAD COLORS ARE OPTIONAL. LEADS MUST ALWAYS BE NUMBERED AS SHOWN.

REV. DESC: REVISE TO SHOW OPTIONAL COLORS			
REV. LTR: E	BY: JLP	REVISED: 01/19/99 10:15	TDR: 0171435
900000		FILE: AAA00005140	MDL: -
		MTL: -	

**BALDOR ELECTRIC Co.**

3PH, DV, 9 LEADS

CD0005